

## CATALOGUE & TECHNICAL MANUAL 2023-2024

### 誌慶工業股份有限公司(台灣總部) Neco Technology Industry Co, Ltd (Headquarters)

ADD: No.190, Zhongzheng Rd., Wufeng Dist., Taichung City 41362, Taiwan

TEL:+886-4-2332 3966

FAX:+886-4-2332-2866

EMAIL: neco@necoparts.com

### 佛山市順德區永慶自行車零件有限公司 Foshan Shunde Yong Qing Bicycle Parts Co, LTD

ADD: unit101, building 9rd, jilong Zhizao park, No.52 Xilian road, Longyan village, Leliu, Shunde, Foshan, Guangdong 528300, CHINA

TEL:+86-757-22626559

FAX:+86-757-22626459

EMAIL: sdneco@vip.126.com

### 句容志新精密五金零件有限公司 Jurong Chih Hsin Precision Hardware Co, LTD

ADD: West street Tianwang Town, Jurong City, Jiangsu Province, China

TEL:+86-511-87455666/777/888

FAX:+86-511-87455333

EMAIL: neco-zj@vip.163.com, necoparts@163.com

### 志慶科技(天津)有限公司 Neco Technology(TIANJIN)Co.,LTD

ADD: No.17, 24th Road Jinhai Economic Development Zone, Jinhai Town Tianjin China

TEL:+86-22-59591629

FAX:+86-22-59591630

EMAIL: tjneco@163.com

### 零貝電機科技(上海)有限公司 Lingbei Motor Technology (SHANGHAI) CO.,Ltd

ADD: No.5158 Dongchuan Road, Pudong New Area Shanghai, China

TEL:+86-21-68412951

FAX:+86-21-20428126

EMAIL: chenhualingbai@163.com



2023-2024

# neco

CATALOGUE & TECHNICAL MANUAL

neco

CATALOGUE & TECHNICAL MANUAL 2023-2024

# NECO

## CATALOGUE & TECHNICAL MANUAL 2023-2024

[HTTP://WWW.NECOPARTS.COM](http://www.necoparts.com)

# NECO : NEVER COME OFF PROFESSIONAL BIKE PARTS MANUFACTURERS

Neco Technology Industry Co.Ltd., founded in 1986 in Taichung ,have been in the forefront of machinery tooling design and development. Having acquired more than 30 years of experience in the cycling field ,general manager Mr. Neco Wang has been extensively making contributions to not only the growth ,development and success of the company ,but to the global bicycle industry as well.

In order to offer high quality products and expand plant capacity, we specialize in manufacturing headset and bottom bracket components. Not only can we cover a wide range of applications and finishes ,but we can also extend the capacities of alloy cold forging ,steel press ,hole tapping and CNC finishing ,etc.

Starting from 2010 ,Neco Ltd. has extended its product categories to include CNC pedals ,hubs and chainwheels, To offer the best service and shortest lead-time ,Neco Ltd. has established 4 factories in China ; one in Shunde City ,Guangdong(since 1997) ,one in Tianwang Town ,JurongCity (since 2001) and also the factory in Tianjin(since 2013).In 2016,Lingbei Motor Technology joined in Neco group, Lingbei Motor Technology(Shanghai)Co.,Ltd. is a company dedicated to the production of electric vehicle components and complete sets of systems, its products are exported to international, specializing in the motor system for electric bicycles pedal bicycles and, scooters its products are on sale in china, European and the American markets.

After constant improvement and efficient management ,every Neco factory is well established and play an important role in the Neco group.

Taiwan factory continuously focuses on high-end products and expanding design capabilities with our state-of-the-art research facility. However ,we believe the entire range of market demands from economic models to technologically cold forged CNC component.Meanwhile ,Neco Ltd. will always strive to meet the commitments to all of the customers and provide competitive and high-value products.



# 2023-2024 CATALOGUE&TECHNICAL MANUAL

H322 Integrated Cable Routing Threadless Headset	H322 全隱藏式內走線碗組
H322MP (NECO2) Integrated Cable Routing Threadless Headset	H322MP(NECO2) 全隱藏式內走線碗組
H323MP(NECO2-1) Semi-Integrated Cable Routing Threadless Headset	H323MP(NECO2-1) 半隱藏式內走線碗組
NECO16 Integrated Cable Routing Stem Threadless Headset	NECO16 全隱藏式內走線車首立管碗組
NECO5 Manual Pedals	NECO5 手動可拆腳踏

## HEADSETS 車頭碗組

Integrated Threadless Headsets	全隱藏式無牙車頭碗	P.02 - P.11
Semi-Integrated Threadless Headsets	半隱藏式無牙車頭碗	P.12 - P.29
Semi-Integrated Threaded Headsets	半隱藏式有牙車頭碗	P.30 - P.36
External Cup Threadless Headsets	外露式無牙車頭碗	P.37 - P.49
130° Safety Headsets	安全車頭碗	P.50 - P.55
External Cup Threaded Headsets	外露式有牙車頭碗	P.56 - P.67
E-bike Head Parts	電動車車頭碗組	P.68 - P.69

## ACCESSORIES 配件

Accessories	配件	P.71 - P.76
-------------	----	-------------

## BOTTOM BRACKETS B.B 五通碗組

Cartridge Cotterless B.B. Sets	P.78 - P.85
Cartridge ISIS B.B. Sets	P.86 - P.91
External Cup/ Press-Fit B.B. Sets/Bottom Brackets	P.92 - P.93

## CHAINWHEELS 齒盤

MTB	山地車用	P.95 - P.101
Road	公路車用	P.102 - P.105
Folding&Single	折疊車和單片用	P.106 - P.114
One Piece Crank & Ring	連體曲柄和齒片	P.115 - P.116

## PEDALS 腳踏

Clipless/CNC Pedals/BMX/City/Mountain/Road/Children	P.118 - P.133
卡踏/鋁合金腳踏/表演車用/城市車用/登山車用/跑車用/童車用	

## HUBS 花鼓

Road/Mountain Bikes	跑車用/登山車用	P.135 - P.141
Quick Release	快拆	

## PACKAGING 補修包裝

Packaging	補修包裝	P.142 - P.143
-----------	------	---------------

H322 全隱藏式內走線碗組

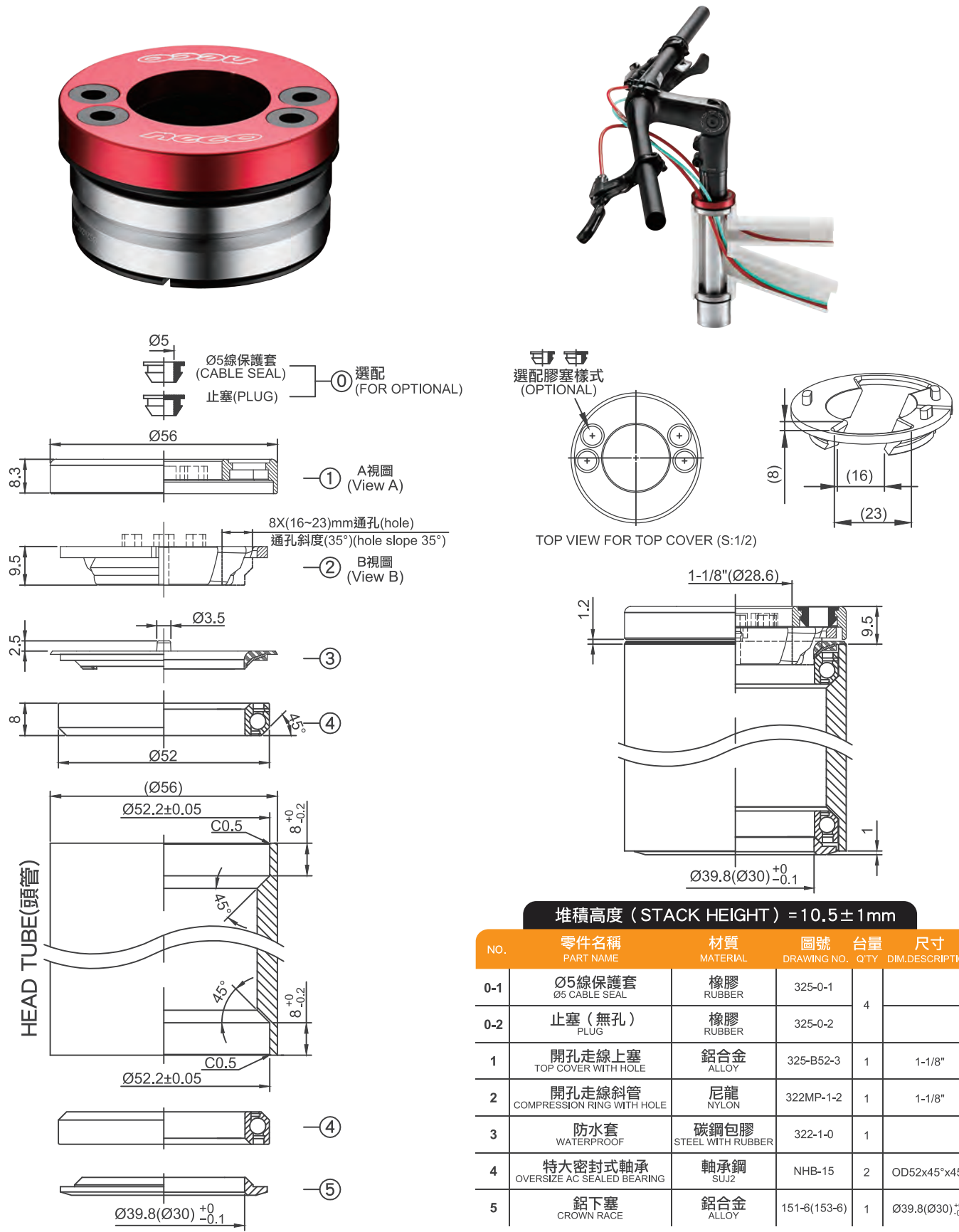
H322MP(NECO2) 全隱藏式內走線碗組

## H322 全隱藏式內走線碗組

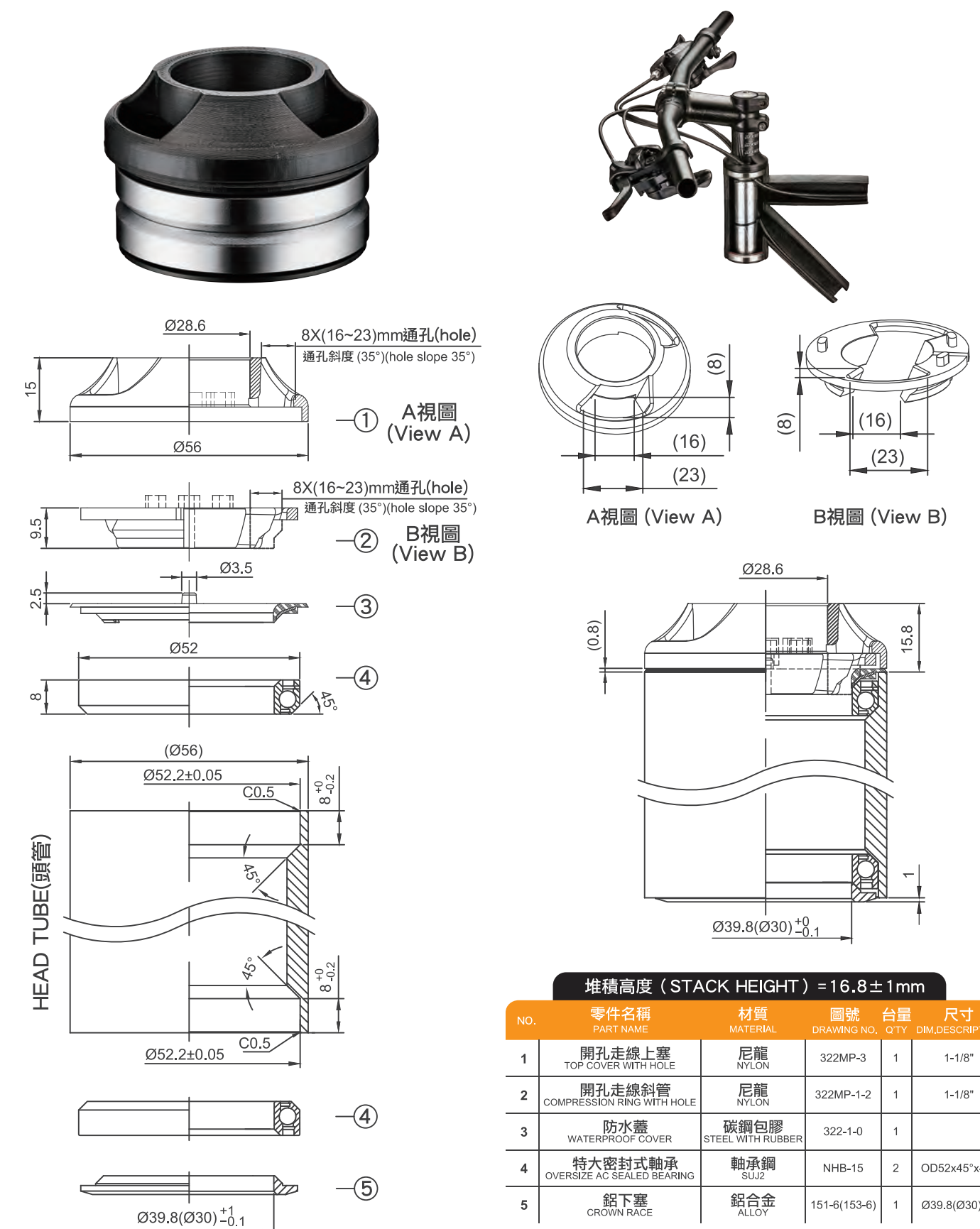
H322 Integrated Cable Routing Threadless Headset

## H322MP(NECO2) 全隱藏式內走線碗組

Integrated Cable Routing Threadless Headset



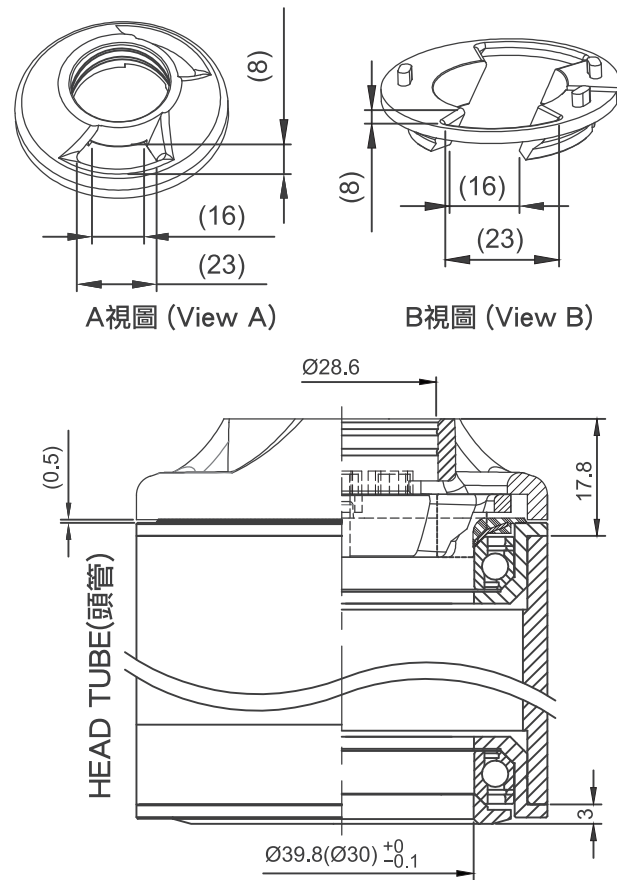
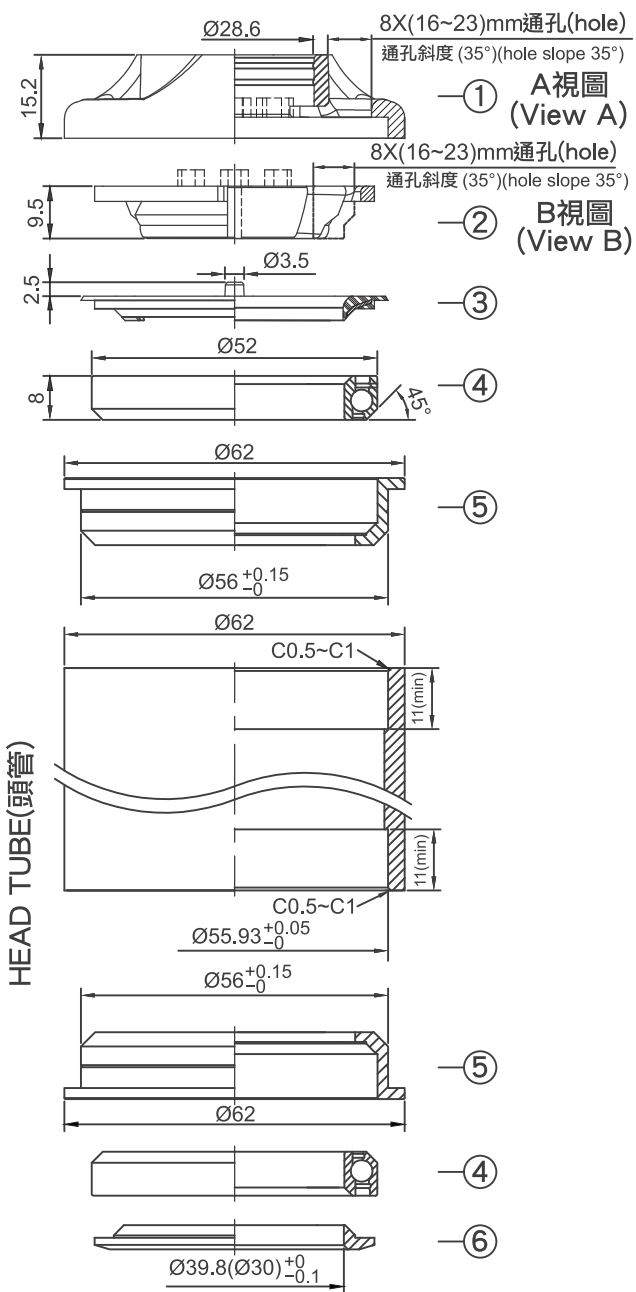
NO.	零件名稱 PART NAME	材質 MATERIAL	圖號 DRAWING NO.	台量 QTY	尺寸 DIM. DESCRIPTION
0-1	Ø5線保護套 Ø5 CABLE SEAL	橡膠 RUBBER	325-0-1	4	
0-2	止塞 (無孔) PLUG	橡膠 RUBBER	325-0-2	4	
1	開孔走線上塞 TOP COVER WITH HOLE	鋁合金 ALLOY	325-B52-3	1	1-1/8"
2	開孔走線斜管 COMPRESSION RING WITH HOLE	尼龍 NYLON	322MP-1-2	1	1-1/8"
3	防水套 WATERPROOF	碳鋼包膠 STEEL WITH RUBBER	322-1-0	1	
4	特大密封式軸承 OVERSIZE AC SEALED BEARING	軸承鋼 SUJ2	NHB-15	2	OD52x45°x45°
5	鋁下塞 CROWN RACE	鋁合金 ALLOY	151-6(153-6)	1	Ø39.8(Ø30) <sup>+0</sup> <sub>-0.1</sub>



NO.	零件名稱 PART NAME	材質 MATERIAL	圖號 DRAWING NO.	台量 QTY	尺寸 DIM. DESCRIPTION
1	開孔走線上塞 TOP COVER WITH HOLE	尼龍 NYLON	322MP-3	1	1-1/8"
2	開孔走線斜管 COMPRESSION RING WITH HOLE	尼龍 NYLON	322MP-1-2	1	1-1/8"
3	防水套 WATERPROOF COVER	碳鋼包膠 STEEL WITH RUBBER	322-1-0	1	
4	特大密封式軸承 OVERSIZE AC SEALED BEARING	軸承鋼 SUJ2	NHB-15	2	OD52x45°x45°
5	鋁下塞 CROWN RACE	鋁合金 ALLOY	151-6(153-6)	1	Ø39.8(Ø30) <sup>+0</sup> <sub>-0.1</sub>

### H323MP(NECO2-1) 半隱藏式內走線碗組

Semi-Integrated Cable Routing Threadless Headset

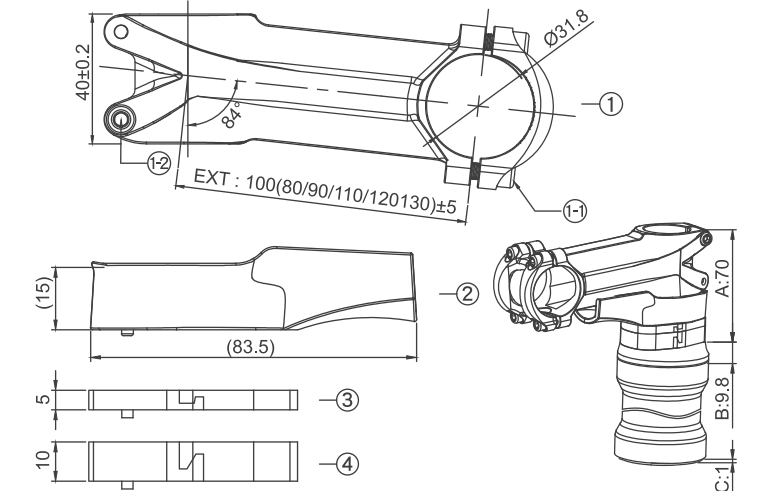
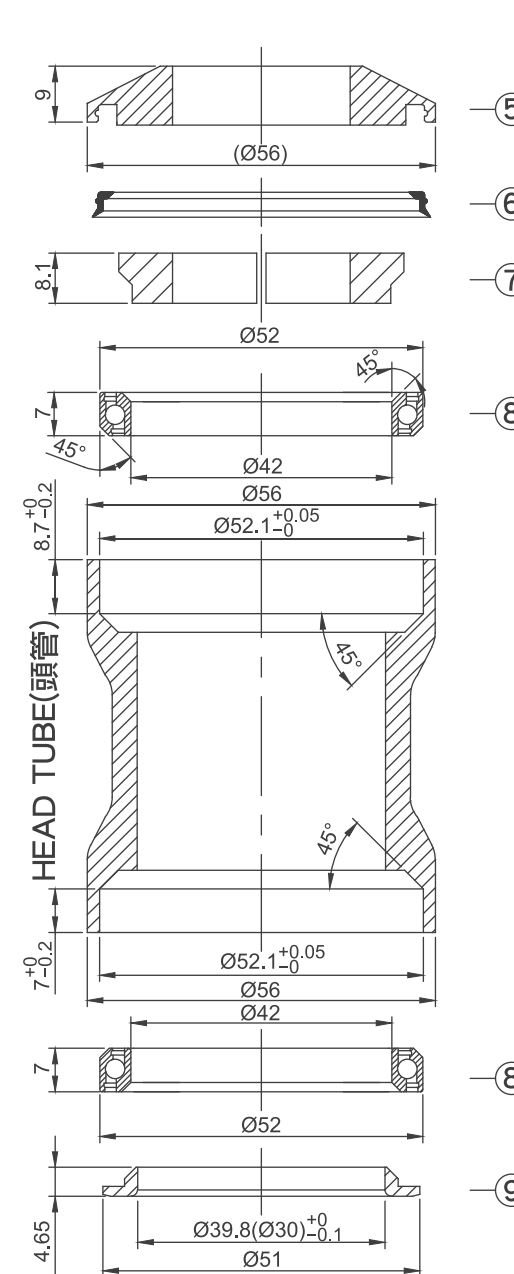


堆積高度 (STACK HEIGHT) = 20.8 ± 1mm

NO.	零件名稱 PART NAME	材質 MATERIAL	圖號 DRAWING NO.	台量 QTY	尺寸 DIM.DESCRPTION
1	開孔走線上塞 TOP COVER WITH HOLE	尼龍 NYLON	323MP-3	1	1-1/8"
2	開孔走線斜管 COMPRESSION RING WITH HOLE	尼龍 NYLON	322MP-1-2	1	1-1/8"
3	防水蓋 WATERPROOF COVER	碳鋼包膠 STEEL WITH RUBBER	322-1-0	1	
4	特大密封式軸承 OVERSIZE AC SEALED BEARING	軸承鋼 SUJ2	NHB-15	2	OD52x45°x45°
5	上/下碗 CUPS	鋁合金 ALLOY	285-5	2	Ø56 <sup>+0.15</sup> <sub>0</sub>
6	鋁下塞 CROWN RACE	鋁合金 ALLOY	151-6(153-6)	1	Ø39.8(Ø30) <sup>+0</sup> <sub>-0.1</sub>

### NECO16 全隱藏式內走線車首立管碗組

NECO Integrated Cable Routing Stem Threadless Headset



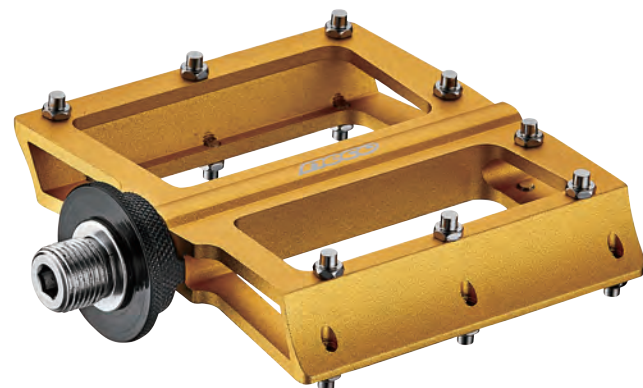
A+B+C堆積高度 (STACK HEIGHT) = 80.6 ± 1mm

NO.	零件名稱 PART NAME	材質 MATERIAL	圖號 DRAWING NO.	台量 QTY	尺寸 DIM.DESCRPTION
1	把立 STEM	鋁合金 ALLOY	SA6	1	31.8x28.6x84°
2	尼龍集線座 CABLE COLLECTOR	尼龍 NYLON	NSC-T15	1	
3	尼龍墊片 ROAD SPACER	尼龍 NYLON	NS-T05	1	1-1/8"x5
4	尼龍墊片 ROAD SPACER	尼龍 NYLON	NS-T10	1	1-1/8"x10
5	尼龍上塞 (穿線) TOP COVER	尼龍 NYLON	324-3	1	1-1/8" 線孔尺寸約12.5x9
6	防塵蓋 UPPER WATER SEAL	橡膠 RUBBER	324-0	1	
7	鋁斜管 (穿線) COMPRESSION RING	鋁合金 6061/T6	324-2	1	1-1/8"
8	密封式軸承 SEALED BEARING	軸承鋼 SUJ2	NHB-15C	2	OD52xD42x45°x7
9	鋁下塞 CROWN RACE	鋁合金 7075/T6	324-6	1	Ø39.8(Ø30) <sup>+0</sup> <sub>-0.1</sub>

附屬零件 ACCESSORIES

NO.	零件名稱 PART NAME	材質 MATERIAL	台量 QTY	尺寸 DIM.DESCRPTION
1-1	有頭內六角螺絲 SCREW	不銹鋼 SUS 302	4	M5xP0.8x16L
1-2	有頭內六角螺絲 SCREW	不銹鋼 SUS302	2	M5xP0.8x18L

## Neco5 手動可拆卸腳踏 Neco 5 Manual Pedals



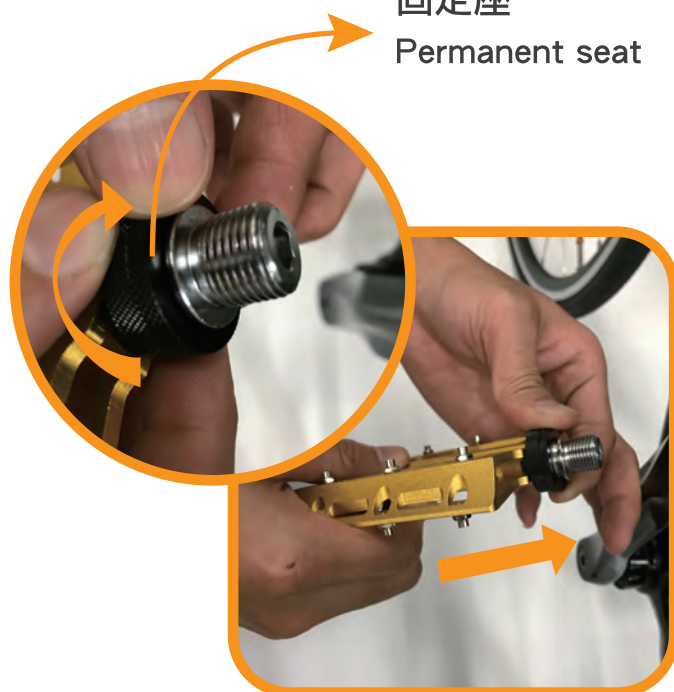
固定座  
Permanent seat

### 產品特點 Product Features

1. 減少材積存放  
Decrease volume of storing bike
2. 降低自行車偷竊風險  
Decrease the risk of bike stolen

### 組裝方式說明 Assembly Description

1. 按住固定座，旋轉螺帽將固定座推入卡隼槽內，再鎖入曲柄腿牙紋內。  
Press permanent seat and push permanent seat towards pedals, and lock crank into screw thread.
2. 將固定座與腳踏板本體推入卡隼後，將腳踏板鎖緊。  
Bolt the permanent seat and pedals into tenon then fasten up the pedals.



BODY	本體材質	Alloy 鋁
AXLE	軸心材質	Cr-mo 鎢鉻鋼
BEARING	轉動結構	Sealed Bearing 密封式培林 Sleeve Bearing 自潤軸承
SIZE	本體尺寸	108X108mm
WEIGHT	重量	522g/pair

Patent No.  
Taiwan:105211964  
China:201620848170.X

# HEADSETS

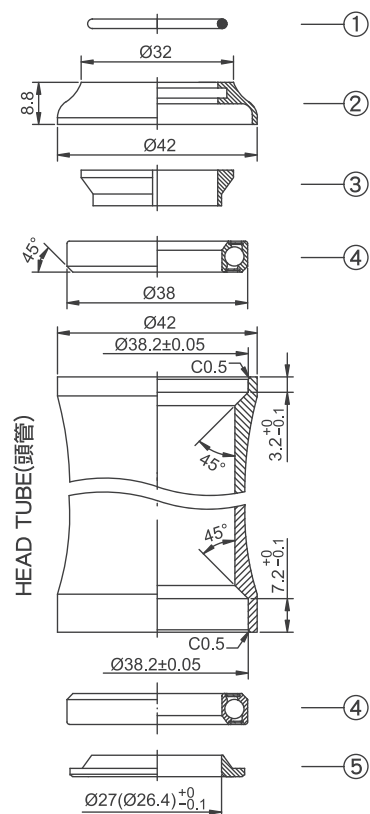


## 車頭碗組

# H02



WEIGHT	50g
SIZE	1" Integrated Threadless Headset
SHIS NORM	IS38.2/25.4   IS38.2/27(26.4)



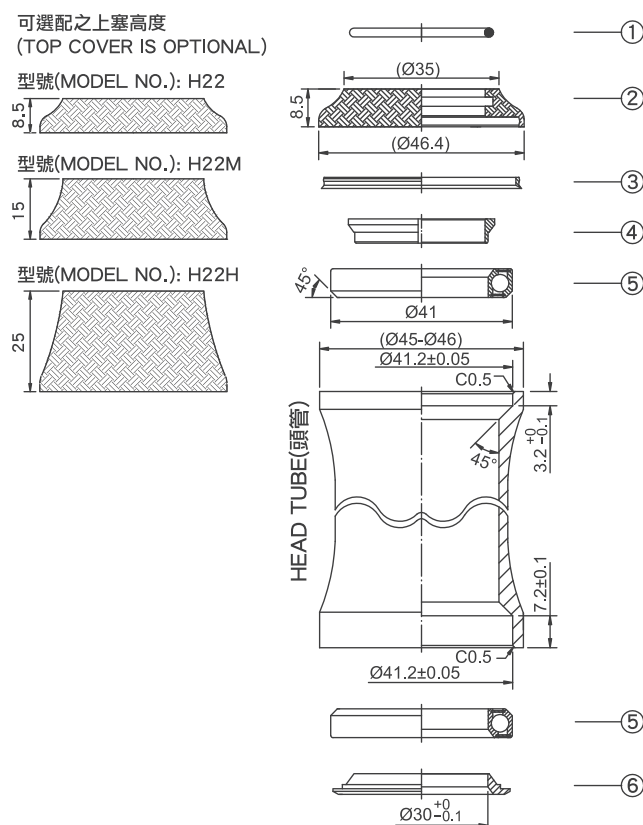
堆積高度 (STACK HEIGHT) = 10.5 ± 1mm

NO.	零件名稱 PART NAME	材質 MATERIAL	圖號 DRAWING NO.	台量 QTY	尺寸 DIM. DESCRIPTION
1	O形圈 O-Ring	橡膠 NBR	121-8	1	ID25.3xØ2
2	鋁上塞 TOP COVER	鋁合金 ALLOY	02-3	1	1"
3	塑膠斜管 COMPRESSION RING	塑膠 NYLON	2019-2	1	1"
4	密封式軸承 A.C. SEALED BEARING	軸承鋼 SUJ2	NHB-3A	2	OD38x36°x45°
5	鋁下塞 CROWN RACE	鋁合金 ALLOY	02-6	1	Ø27(Ø26.4) <sup>+0</sup> <sub>-0.1</sub>

# H22



WEIGHT	55g
SIZE	1-1/8" Integrated Threadless Headset
SHIS NORM	IS41.2/28.6   IS41.2/30



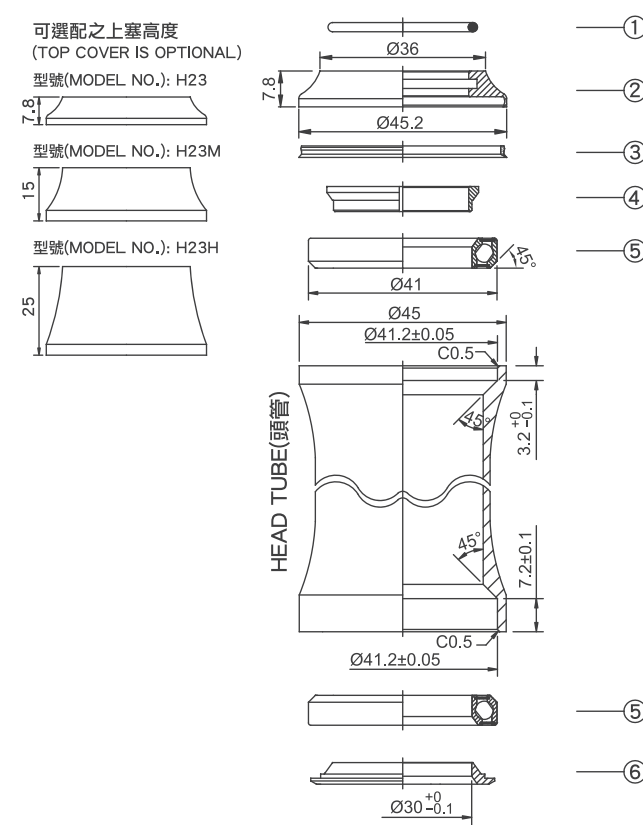
堆積高度 (STACK HEIGHT) = 10.2 ± 1mm

NO.	零件名稱 PART NAME	材質 MATERIAL	圖號 DRAWING NO.	台量 QTY	尺寸 DIM. DESCRIPTION
1	O形圈 O-Ring	橡膠 NBR	120-8	1	ID28.5xØ2
2	碳纖維上塞 TOP COVER	碳纖維 CARBON FIBER	22-3	1	1-1/8"
3	防塵蓋 DUST-RESISTANT COVER	碳鋼包膠 STEEL WITH RUBBER	51-0	1	
4	鋁斜管 COMPRESSION RING	鋁合金 ALLOY	773-2	1	1-1/8"
5	密封式軸承 A.C. SEALED BEARING	軸承鋼 SUJ2	NHB-5D	2	OD41x36°x45°
6	鋁下塞 CROWN RACE	鋁合金 ALLOY	123-6	1	Ø30 <sup>+0</sup> <sub>-0.1</sub>

# H23



WEIGHT	60.3g
SIZE	1-1/8" Integrated Threadless Headset
SHIS NORM	IS41.2/28.6   IS41.2/30



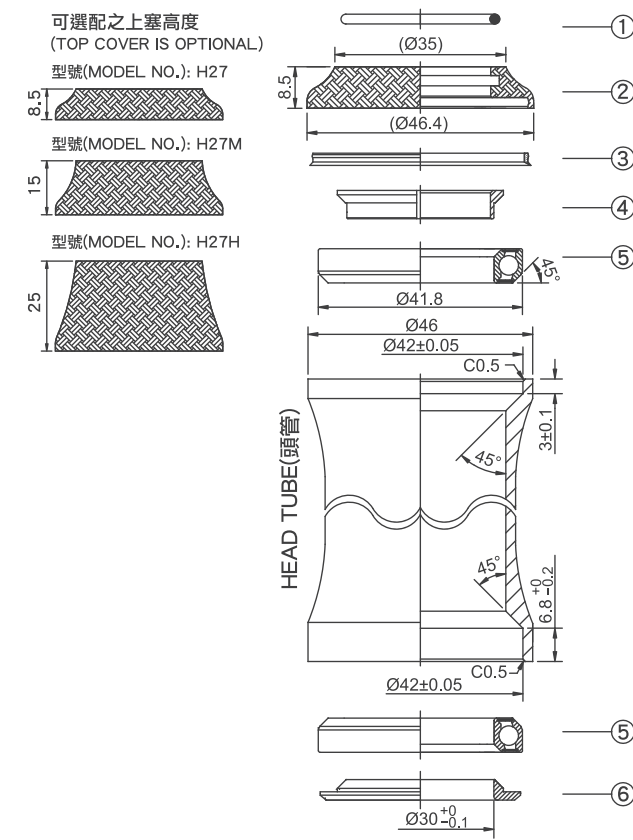
堆積高度 (STACK HEIGHT) = 9.5 ± 1mm

NO.	零件名稱 PART NAME	材質 MATERIAL	圖號 DRAWING NO.	台量 QTY	尺寸 DIM. DESCRIPTION
1	O形圈 O-Ring	橡膠 NBR	120-8	1	ID28.5xØ2
2	鋁上塞 TOP COVER	鋁合金 ALLOY	23-3	1	1-1/8"
3	防塵蓋 DUST-RESISTANT COVER	碳鋼包膠 STEEL WITH RUBBER	51-0	1	
4	鋁斜管 COMPRESSION RING	鋁合金 ALLOY	773-2	1	1-1/8"
5	密封式軸承 A.C. SEALED BEARING	軸承鋼 SUJ2	NHB-5D	2	OD41x36°x45°
6	鋁下塞 CROWN RACE	鋁合金 ALLOY	123-6	1	Ø30 <sup>+0</sup> <sub>-0.1</sub>

# H27



WEIGHT	61g
SIZE	1-1/8" Integrated Threadless Headset Campy Compatible
SHIS NORM	IS42/28.6   IS42/30



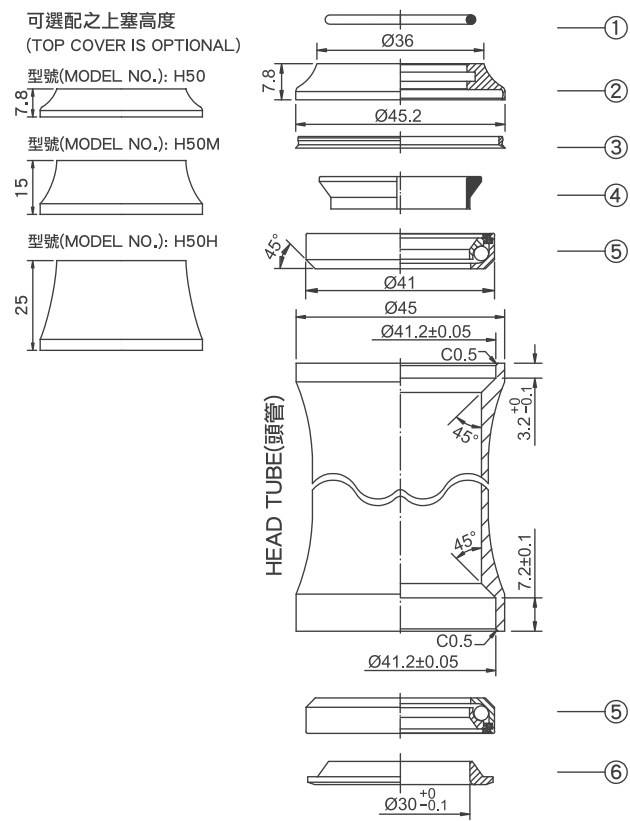
堆積高度 (STACK HEIGHT) = 10.1 ± 1mm

NO.	零件名稱 PART NAME	材質 MATERIAL	圖號 DRAWING NO.	台量 QTY	尺寸 DIM. DESCRIPTION
1	O形圈 O-Ring	橡膠 NBR	120-8	1	ID28.5xØ2
2	碳纖維上塞 TOP COVER	碳纖維 CARBON FIBER	23-3	1	1-1/8"
3	防塵蓋 DUST-RESISTANT COVER	碳鋼包膠 STEEL WITH RUBBER	51-0	1	
4	鋁斜管 COMPRESSION RING	鋁合金 ALLOY	51-2	1	1-1/8"
5	密封式軸承 A.C. SEALED BEARING	軸承鋼 SUJ2	NHB-6B	2	OD41.8x45°x45°
6	鋁下塞 CROWN RACE	鋁合金 ALLOY	51-6	1	Ø30 <sup>+0</sup> <sub>-0.1</sub>

# H50



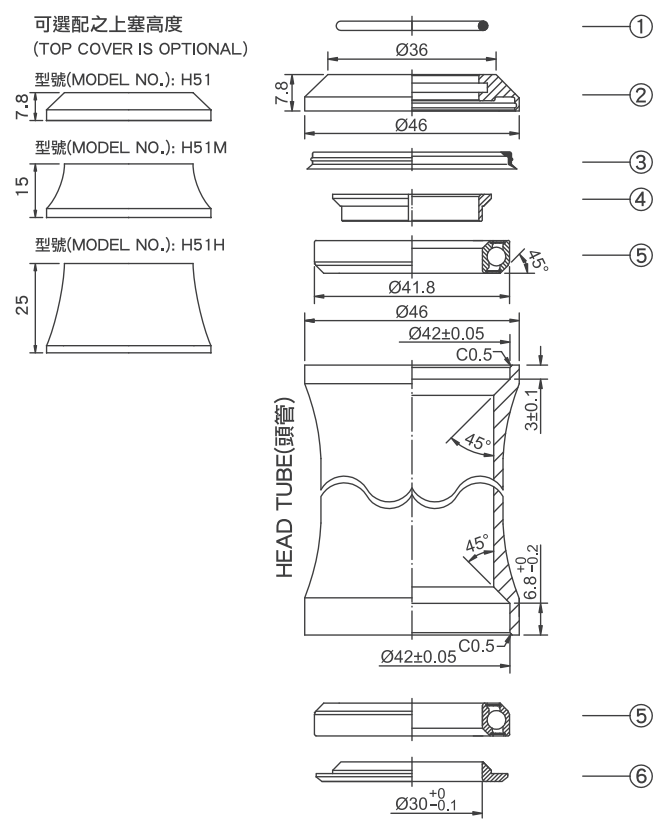
WEIGHT	64g
SIZE	1-1/8" Integrated Threadless Headset
SHIS NORM	IS41.2/28.6   IS41.2/30



# H51



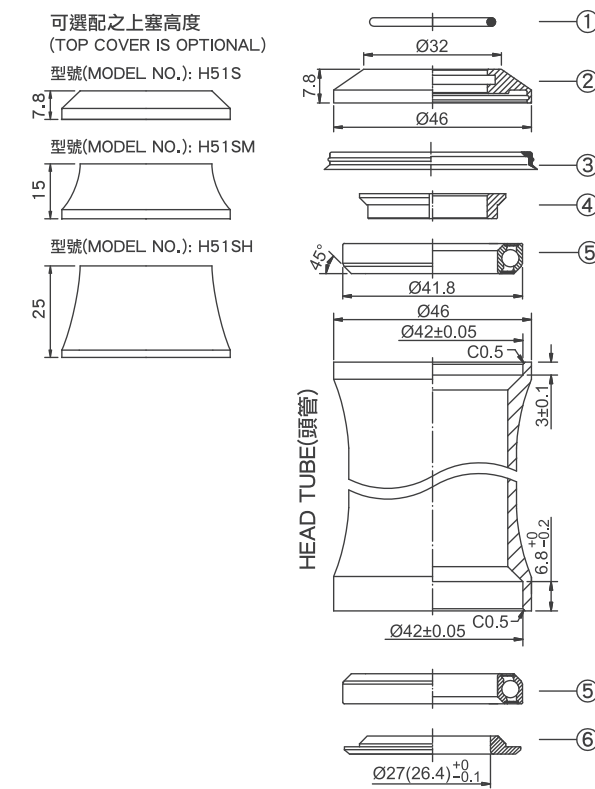
WEIGHT	65g
SIZE	1-1/8" Integrated Threadless Headset Campy Compatible
SHIS NORM	IS42/28.6   IS42/30



# H51S



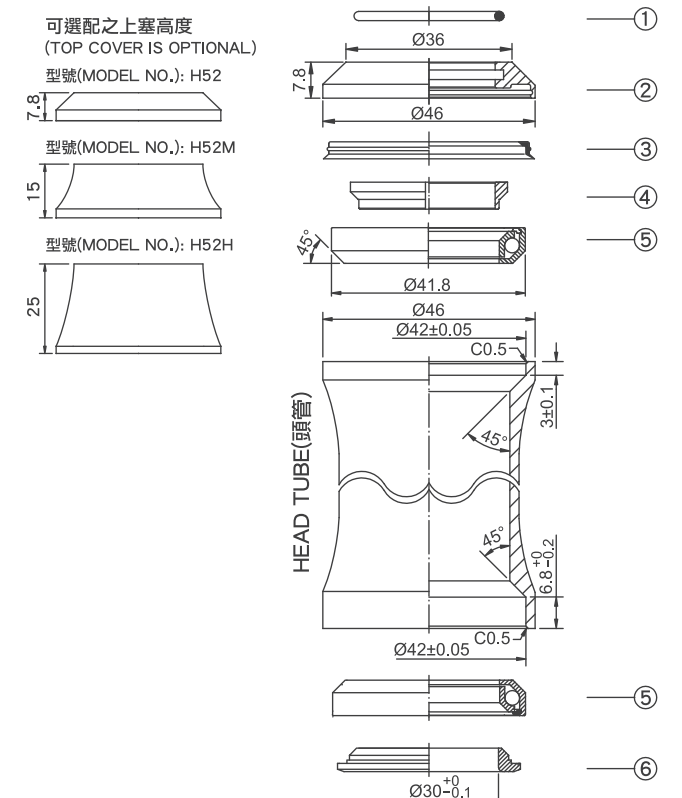
WEIGHT	70g
SIZE	1-1/8" Head Tube Reduced to 1" Fork Stem Integrated Threadless Headset
SHIS NORM	IS42/25.4   IS42/27(26.4)



# H52



WEIGHT	74g
SIZE	1-1/8" Integrated Threadless Headset Campy Compatible
SHIS NORM	IS42/28.6   IS42/30



堆積高度 (STACK HEIGHT) = 9.8 ± 1mm

NO.	零件名稱 PART NAME	材質 MATERIAL	圖號 DRAWING NO.	台量 QTY	尺寸 DIM.DESCRPTION
1	O形圈 O-Ring	橡膠 NBR	120-8	1	ID28.5xØ2
2	鋁上塞 TOP COVER	鋁合金 ALLOY	23-3	1	1-1/8"
3	防塵蓋 DUST-RESISTANT COVER	碳鋼包膠 STEEL WITH RUBBER	51-0	1	
4	塑膠斜管 COMPRESSION RING	塑膠 NYLON	2036-2	1	1-1/8"
5	卡式軸承 CARTRIDGE BALL BEARING	鉻鉬鋼 CR-MO STEEL	CBB-41	2	OD41x36"x45"
6	下塞 CROWN RACE	碳鋼 STEEL	146-6	1	Ø30 <sup>+0</sup> <sub>-0.1</sub>

堆積高度 (STACK HEIGHT) = 9.4 ± 1mm

NO.	零件名稱 PART NAME	材質 MATERIAL	圖號 DRAWING NO.	台量 QTY	尺寸 DIM.DESCRPTION
1	O形圈 O-Ring	橡膠 NBR	120-8	1	ID28.5xØ2
2	鋁上塞 TOP COVER	鋁合金 ALLOY	51-3	1	1-1/8"
3	防塵蓋 DUST-RESISTANT COVER	橡膠 NBR	273-0	1	
4	鋁斜管 COMPRESSION RING	鋁合金 ALLOY	51-2	1	1-1/8"
5	密封式軸承 A.C.SEALED BEARING	軸承鋼 SUJ2	NHB-6B	2	OD41.8x45"x45"
6	鋁下塞 CROWN RACE	鋁合金 ALLOY	51-6	1	Ø30 <sup>+0</sup> <sub>-0.1</sub>

堆積高度 (STACK HEIGHT) = 9.4 ± 1mm

NO.	零件名稱 PART NAME	材質 MATERIAL	圖號 DRAWING NO.	台量 QTY	尺寸 DIM.DESCRPTION
1	O形圈 O-Ring	橡膠 NBR	121-8	1	ID25.3xØ2
2	鋁上塞 TOP COVER	鋁合金 ALLOY	05-3	1	1"
3	防塵蓋 DUST-RESISTANT COVER	橡膠 NBR	273-0	1	
4	鋁斜管 COMPRESSION RING	鋁合金 ALLOY	05-2	1	1"
5	密封式軸承 A.C.SEALED BEARING	軸承鋼 SUJ2	NHB-6B	2	OD41.8x45"x45"
6	鋁下塞 CROWN RACE	鋁合金 ALLOY	05-6	1	Ø27(Ø26.4) <sup>+0</sup> <sub>-0.1</sub>

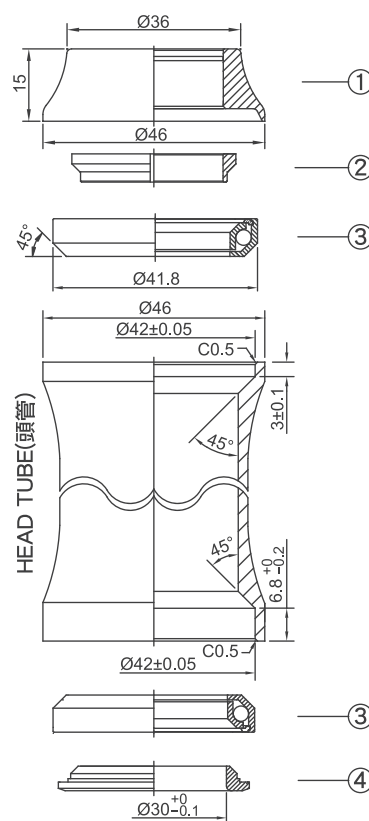
堆積高度 (STACK HEIGHT) = 9.4 ± 1mm

NO.	零件名稱 PART NAME	材質 MATERIAL	圖號 DRAWING NO.	台量 QTY	尺寸 DIM.DESCRPTION
1	O形圈 O-Ring	橡膠 NBR	120-8	1	ID28.5xØ2
2	鋁上塞 TOP COVER	鋁合金 ALLOY	51-3	1	1-1/8"
3	防塵蓋 DUST-RESISTANT COVER	橡膠 NBR	273-0	1	
4	鋁斜管 COMPRESSION RING	鋁合金 ALLOY	52-2	1	1-1/8"
5	卡式軸承 CARTRIDGE BALL BEARING	鉻鉬鋼 CR-MO STEEL	CBB-418	2	OD41.8x45"x45"
6	鋁下塞 CROWN RACE	碳鋼 STEEL	52-6	1	Ø30 <sup>+0</sup> <sub>-0.1</sub>

# H52MP



WEIGHT	70g
SIZE	1-1/8" Integrated Threadless Headset Campy Compatible
SHIS NORM	IS42/28.6   IS42/30



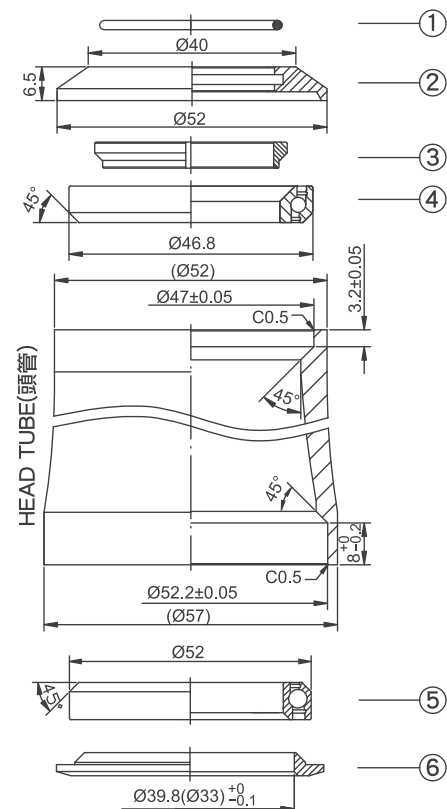
堆積高度 (STACK HEIGHT) = 16.2 ± 1mm

NO.	零件名稱 PART NAME	材質 MATERIAL	圖號 DRAWING NO.	台量 QTY	尺寸 DIM. DESCRIPTION
1	塑鋼上塞 TOP COVER	塑鋼 PC	51MP-3	1	1-1/8"
2	鋁斜管 COMPRESSION RING	鋁合金 ALLOY	52-2	1	1-1/8"
3	卡式軸承 CARTRIDGE BALL BEARING	鉻鉬鋼 CR-MO STEEL	CBB-418	2	OD41.8x45°
4	下塞 CROWN RACE	碳鋼 STEEL	52-6	1	Ø30 <sup>+0</sup> <sub>-0.1</sub>

# H160



WEIGHT	85g
SIZE	1.5" Head Tube Reduced to 1-1/4" Fork Tube
SHIS NORM	IS47/31.8   IS52/39.8(33)



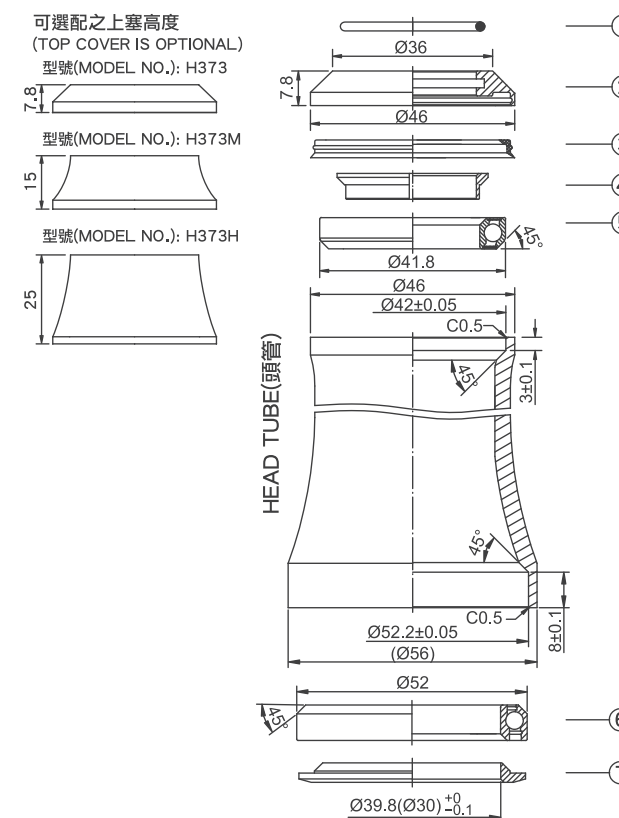
堆積高度 (STACK HEIGHT) = 8.2 ± 1mm

NO.	零件名稱 PART NAME	材質 MATERIAL	圖號 DRAWING NO.	台量 QTY	尺寸 DIM. DESCRIPTION
1	O形圈 O-Ring	橡膠 NBR	160-8	1	ID31.5xØ1.78
2	上塞 TOP COVER	鋁合金 ALLOY	160-3	1	1-1/4"
3	鋁斜管 DUST-RESISTANT COVER	鋁合金 ALLOY	160-2	1	1-1/4"
4	密封式軸承 A.C. SEALED BEARING	軸承鋼 SUJ2	ACB-468	1	OD46.8x45°x45°
5	特大型密封式軸承 OVERSIZE A.C. SEALED BEARING	軸承鋼 SUJ2	NHB-15	1	OD52x45°x45°
6	鋁下塞 CROWN RACE	鋁合金 ALLOY	151-6	1	Ø39.8(Ø33) <sup>+0</sup> <sub>-0.1</sub>

# H373 [H373C]



WEIGHT	80g
SIZE	1.5" Head Tube Reduced to 1-1/8" Fork Tube Integrated Threadless Headset
SHIS NORM	IS42/28.6   IS52.2/39.8(30)
OPTIONAL	H373C-Carbon Top Cover Stack Height 10.4 ± 1mm



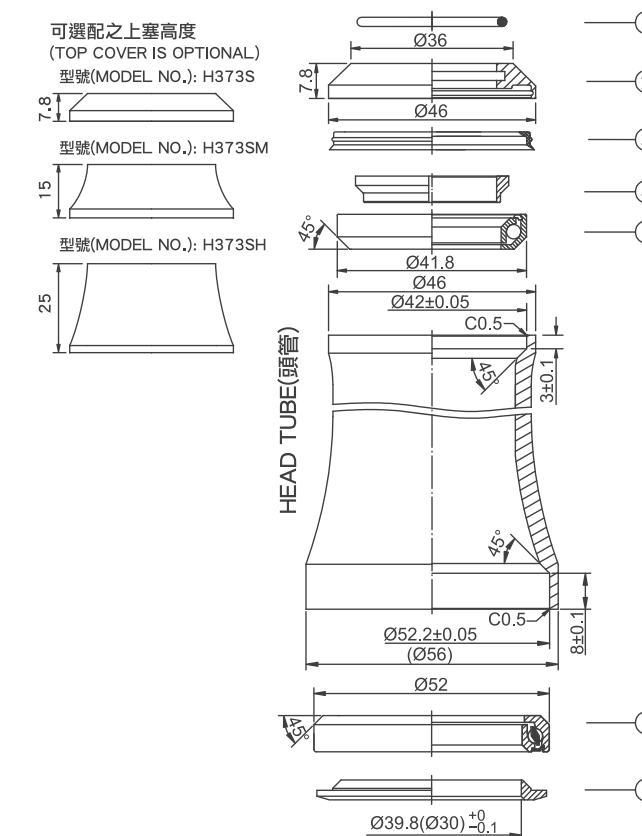
堆積高度 (STACK HEIGHT) = 9.7 ± 1mm

NO.	零件名稱 PART NAME	材質 MATERIAL	圖號 DRAWING NO.	台量 QTY	尺寸 DIM. DESCRIPTION
1	O形圈 O-Ring	橡膠 NBR	120-8	1	ID28.5xØ2
2	上塞 TOP COVER	鋁合金 ALLOY	51-3	1	1-1/8"
3	防塵蓋 DUST-RESISTANT COVER	橡膠 NBR	273-0	1	
4	鋁斜管 COMPRESSION RING	鋁合金 ALLOY	51-2	1	1-1/8"
5	密封式軸承 A.C. SEALED BEARING	軸承鋼 SUJ2	NHB-6B	1	OD41.8x45°x45°
6	特大型密封式軸承 OVERSIZE A.C. SEALED BEARING	軸承鋼 SUJ2	NHB-15	1	OD52x45°x45°
7	鋁下塞 CROWN RACE	鋁合金 ALLOY	151-6(153-6)	1	Ø39.8(Ø30) <sup>+0</sup> <sub>-0.1</sub>

# H373S



WEIGHT	83.6g
SIZE	1.5" Head Tube Reduced to 1-1/8" Fork Tube Integrated Threadless Headset
SHIS NORM	IS42/28.6   IS52.2/39.8(30)



堆積高度 (STACK HEIGHT) = 9.4 ± 1mm

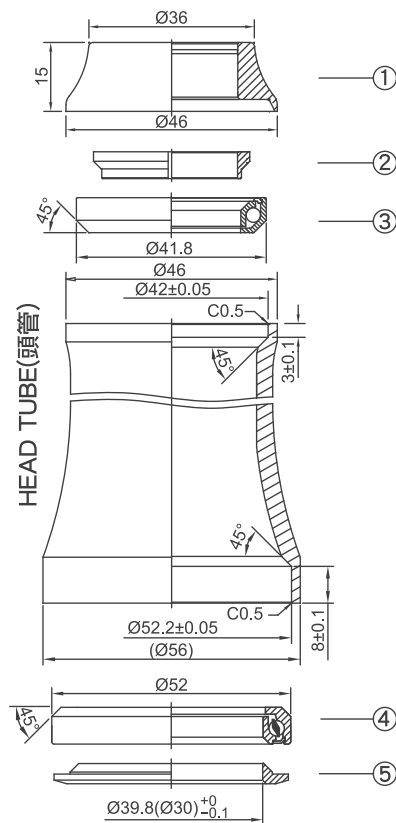
NO.	零件名稱 PART NAME	材質 MATERIAL	圖號 DRAWING NO.	台量 QTY	尺寸 DIM. DESCRIPTION
1	O形圈 O-Ring	橡膠 NBR	120-8	1	ID28.5xØ2
2	上塞 TOP COVER	鋁合金 ALLOY	51-3	1	1-1/8"
3	防塵蓋 DUST-RESISTANT COVER	橡膠 NBR	273-0	1	
4	鋁斜管 COMPRESSION RING	鋁合金 ALLOY	52-2	1	1-1/8"
5	卡式軸承 CARTRIDGE BALL BEARING	鉻鉬鋼 CR-MO STEEL	CBB-418	1	OD41.8x45°x45°
6	特大型卡式軸承 OVERSIZE CARTRIDGE BALL BEARING	鉻鉬鋼 CR-MO STEEL	CBB-52	1	OD52x45°x45°
7	鋁下塞 CROWN RACE	鋁合金 ALLOY	151-6(153-6)	1	Ø39.8(Ø30) <sup>+0</sup> <sub>-0.1</sub>



# H373MPS



**WEIGHT** 88g  
1.5" Head Tube Reduced to  
**SIZE** 1-1/8" Fork Tube Integrated Threadless Headset  
**SHIS NORM** IS42/28.6 | IS52.2/39.8 (30)



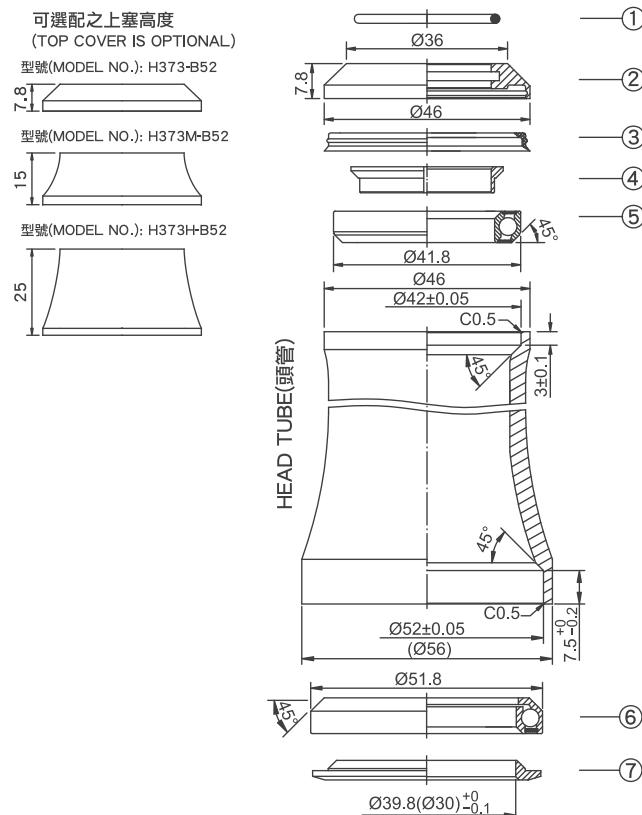
堆積高度 (STACK HEIGHT) = 16.3 ± 1 mm

NO.	零件名稱 PART NAME	材質 MATERIAL	圖號 DRAWING NO.	台量 QTY	尺寸 DIM.DESCRPTION
1	上塞 TOP COVER	塑鋼 PC	51MP-3	1	1-1/8"
2	鋁斜管 COMPRESSION RING	鋁合金 ALLOY	52-2	1	1-1/8"
3	卡式軸承 CARTRIDGE BALL BEARING	鎢鈷鋼 CR-MO STEEL	CBB-418	1	OD41.8x45°x45°
4	特大型卡式軸承 OVERSIZE CARTRIDGE BALL BEARING	鎢鈷鋼 CR-MO STEEL	CBB-52	1	OD52x45°x45°
5	鋁下塞 CROWN RACE	鋁合金 ALLOY	151-6(153-6)	1	Ø39.8(Ø30) <sup>+0.1</sup> <sub>-0.1</sub>

# H373-B52



**WEIGHT** 80g  
1-1/5" Head Tube Reduced to  
**SIZE** 1-1/8" Fork Tube Integrated Threadless Headset  
**SHIS NORM** IS42/28.6 | IS52/39.8(30)



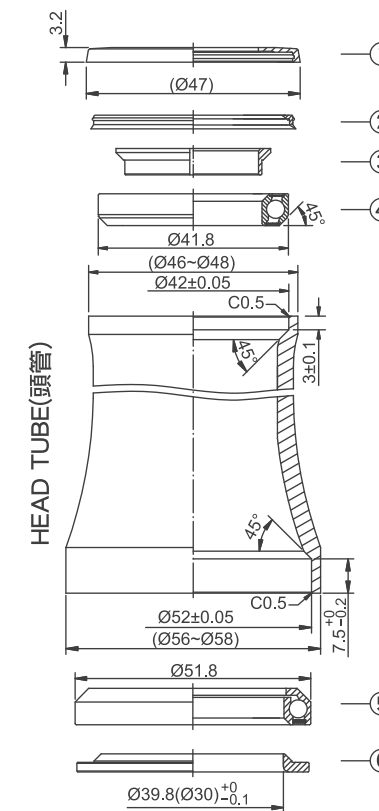
堆積高度 (STACK HEIGHT) = 9.5 ± 1 mm

NO.	零件名稱 PART NAME	材質 MATERIAL	圖號 DRAWING NO.	台量 QTY	尺寸 DIM.DESCRPTION
1	O形圈 O-Ring	橡膠 NBR	120-8	1	ID28.5xØ2
2	上塞 TOP COVER	鋁合金 ALLOY	51-3	1	1-1/8"
3	防塵蓋 DUST-RESISTANT COVER	橡膠 NBR	273-0	1	
4	鋁斜管 COMPRESSION RING	鋁合金 ALLOY	51-2	1	1-1/8"
5	密封式軸承 A.C. SEALED BEARING	軸承鋼 SUJ2	NHB-6B	1	OD41.8x45°x45°
6	特大型卡式軸承 OVERSIZE CARTRIDGE BALL BEARING	軸承鋼 SUJ2	CBB-518	1	OD51.8x45°x45°
7	鋁下塞 CROWN RACE	鋁合金 ALLOY	151-6(153-6)	1	Ø39.8(Ø30) <sup>+0.1</sup> <sub>-0.1</sub>

# 373FT-B52



**WEIGHT** 75g  
1-1/5" Head Tube Reduced to  
**SIZE** 1-1/8" Fork Tube Integrated Threadless Headset  
**SHIS NORM** IS42/28.6 | IS52/39.8(30)



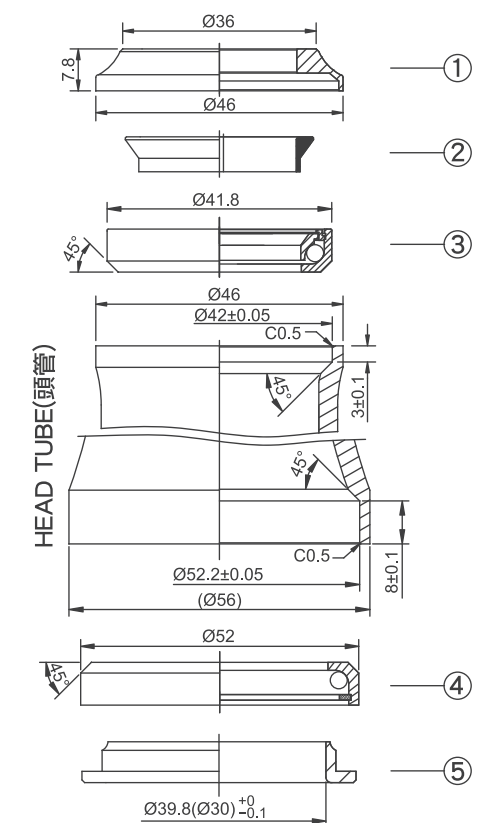
堆積高度 (STACK HEIGHT) = 4.5 ± 1 mm

NO.	零件名稱 PART NAME	材質 MATERIAL	圖號 DRAWING NO.	台量 QTY	尺寸 DIM.DESCRPTION
1	上塞 TOP COVER	鋁合金 ALLOY	51FT-3	1	1-1/8"
2	防塵蓋 DUST-RESISTANT COVER	橡膠 NBR	23-0	1	
3	鋁斜管 COMPRESSION RING	鋁合金 ALLOY	51-2	1	1-1/8"
4	密封式軸承 A.C. SEALED BEARING	軸承鋼 SUJ2	NHB-6B	1	OD41.8x45°x45°
5	特大型卡式軸承 OVERSIZE CARTRIDGE BALL BEARING	軸承鋼 SUJ2	CBB-518	1	OD51.8x45°x45°
6	鋁下塞 CROWN RACE	鋁合金 ALLOY	373FT-B52-6	1	Ø39.8(Ø30) <sup>+0.1</sup> <sub>-0.1</sub>

# H373G



**WEIGHT** 87g  
1.5" Head Tube Reduced to  
**SIZE** 1-1/8" Fork Tube Integrated Threadless Headset  
**SHIS NORM** IS42/28.6 | IS52.2/39.8 (30)



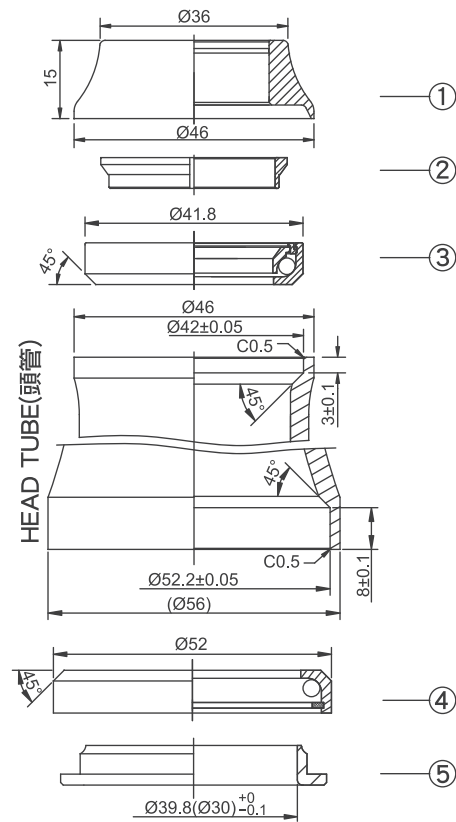
堆積高度 (STACK HEIGHT) = 9.1 ± 1 mm

NO.	零件名稱 PART NAME	材質 MATERIAL	圖號 DRAWING NO.	台量 QTY	尺寸 DIM.DESCRPTION
1	上塞 TOP COVER	鋁合金 ALLOY	373G-3	1	1-1/8"
2	塑膠斜管 COMPRESSION RING	塑膠 NYLON	2036-2	1	1-1/8"
3	卡式上碗 UPPER CARTRIDGE STEEL CUP	碳鋼 STEEL	373G-4	1	OD41.8x36°x45°
4	卡式下碗 LOWER CARTRIDGE STEEL CUP	碳鋼 STEEL	373G-5	1	Ø52x45°
5	下塞 CROWN RACE	碳鋼 STEEL	373G-6	1	Ø39.8(Ø30) <sup>+0.1</sup> <sub>-0.1</sub>

# H373GMP



**WEIGHT** 88g  
1.5" Head Tube Reduced to  
**SIZE** 1-1/8" Fork Tube Integrated Threadless Headset  
**SHIS NORM** IS42/28.6 | IS52.2/39.8 (30)



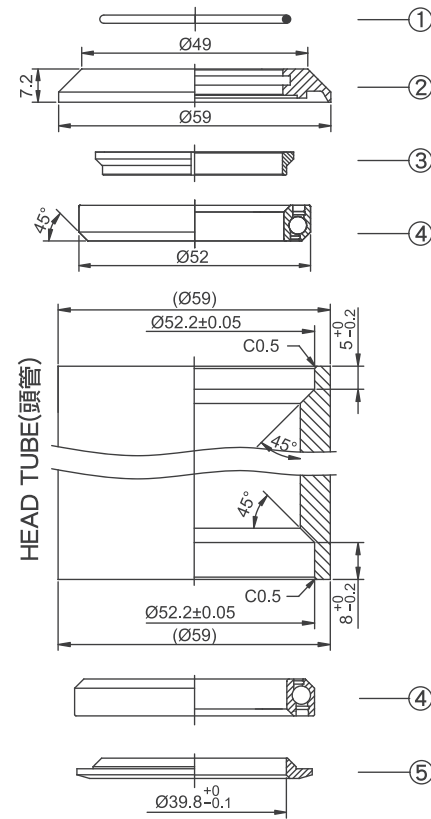
堆積高度 (STACK HEIGHT) = 16.6 ± 1mm

NO.	零件名稱 PART NAME	材質 MATERIAL	圖號 DRAWING NO.	台量 QTY	尺寸 DIM. DESCRIPTION
1	上塞 TOP COVER	塑鋼 PC	51MP-3	1	1-1/8"
2	鋁斜管 COMPRESSION RING	鋁合金 ALLOY	773-2	1	1-1/8"
3	卡式軸承 CARTRIDGE BALL BEARING	碳鋼 STEEL	373G-4	1	OD41.8x36"x45°
4	卡式下碗 LOWER CARTRIDGE STEEL CUP	碳鋼 STEEL	373G-5	1	Ø52x45°
5	下塞 CROWN RACE	碳鋼 STEEL	373G-6	1	Ø39.8(Ø30) <sup>+0</sup> <sub>-0.1</sub>

# H382 [1.5"]



**WEIGHT** 99g  
**SIZE** 1.5" Integrated Threadless Headset  
**SHIS NORM** IS52.2/38.1 | IS52.2/39.8



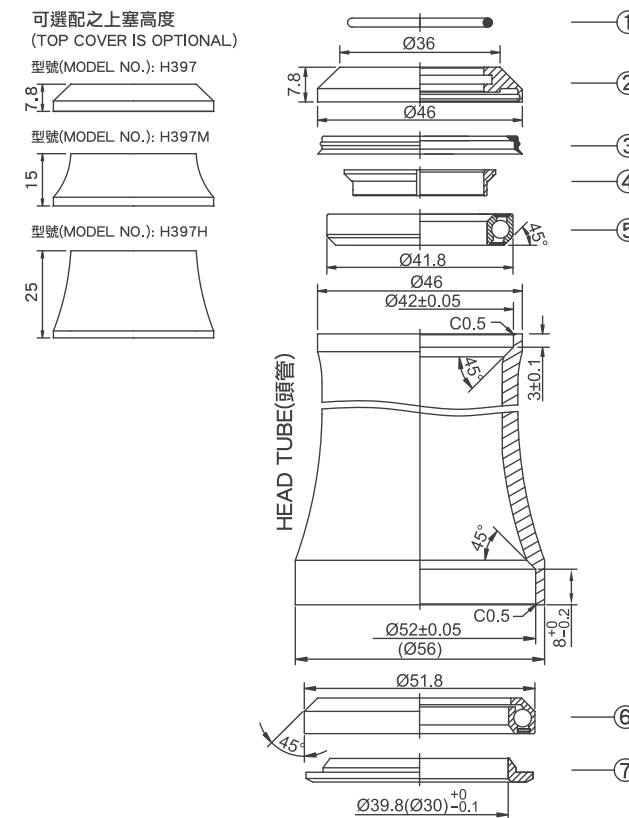
堆積高度 (STACK HEIGHT) = 9.1 ± 1mm

NO.	零件名稱 PART NAME	材質 MATERIAL	圖號 DRAWING NO.	台量 QTY	尺寸 DIM. DESCRIPTION
1	O形圈 O-Ring	橡膠 NBR	151-8	1	ID37.82xØ1.78
2	鋁上塞 TOP COVER	鋁合金 ALLOY	151-3	1	1.5"
3	鋁斜管 COMPRESSION RING	鋁合金 ALLOY	151-2	1	1.5"
4	特大型密封式軸承 OVERSIZE A.C. SEALED BEARING	軸承鋼 SUJ2	NHB-15	2	OD52x45°x45°
5	鋁下塞 CROWN RACE	鋁合金 ALLOY	151-6	1	Ø39.8 <sup>+0</sup> <sub>-0.1</sub>

# H397



**WEIGHT** 76g  
1.5" Head Tube Reduced to  
**SIZE** 1-1/8" Fork Tube Threadless Headset  
**SHIS NORM** IS42/28.6 | IS52/39.8(30)



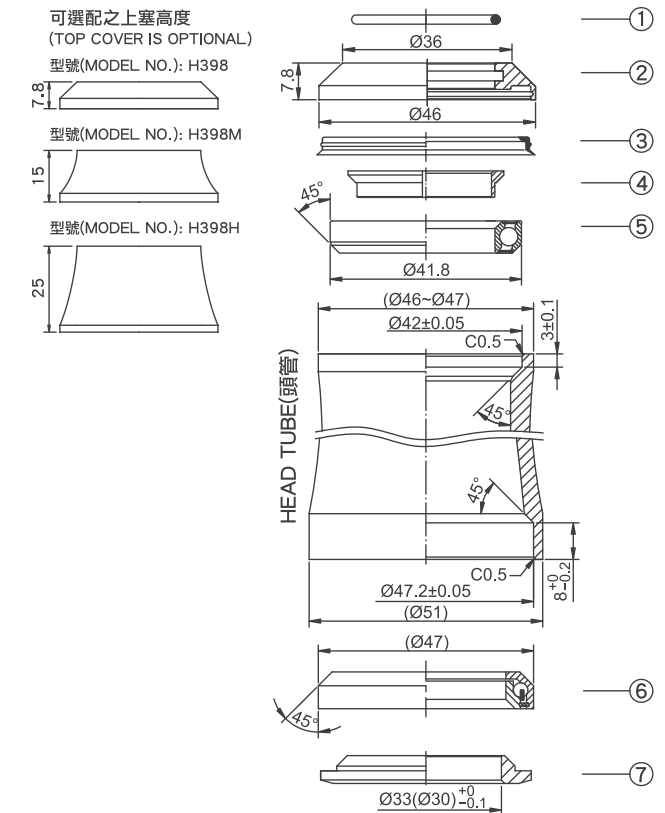
堆積高度 (STACK HEIGHT) = 9.5 ± 1 mm

NO.	零件名稱 PART NAME	材質 MATERIAL	圖號 DRAWING NO.	台量 QTY	尺寸 DIM. DESCRIPTION
1	O形圈 O-Ring	橡膠 NBR	120-8	1	ID28.5xØ2
2	上塞 TOP COVER	鋁合金 ALLOY	51-3	1	1-1/8"
3	防塵蓋 DUST-RESISTANT COVER	橡膠 NBR	273-0	1	
4	鋁斜管 COMPRESSION RING	鋁合金 ALLOY	51-2	1	1-1/8"
5	密封式軸承 A.C. SEALED BEARING	軸承鋼 SUJ2	NHB-6B	1	OD41.8x45°x45°
6	特大卡式軸承 OVERSIZE CARTRIDGE BALL BEARING	軸承鋼 SUJ2	ACB-518	1	OD51.8x36"x45°
7	鋁下塞 CROWN RACE	鋁合金 ALLOY	397-6	1	Ø39.8(Ø30) <sup>+0</sup> <sub>-0.1</sub>

# H398



**WEIGHT** 76g  
1-1/4" Head Tube Reduced to  
**SIZE** 1-1/8" Fork Tube Threadless Headset  
**SHIS NORM** IS42/28.6 | IS47.2/33(30)



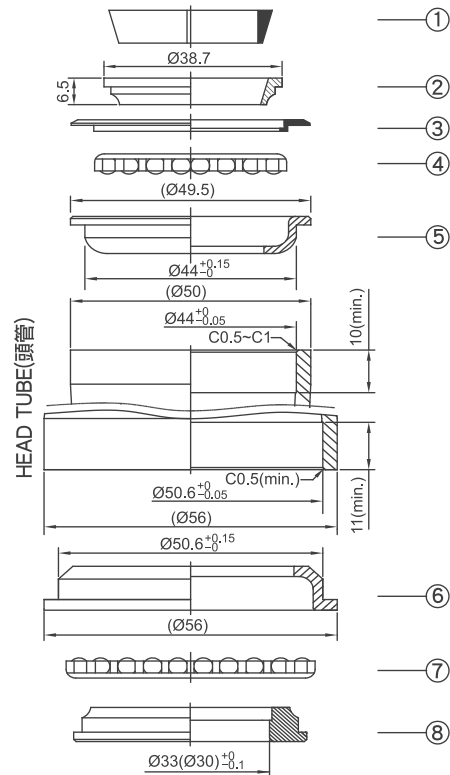
堆積高度 (STACK HEIGHT) = 9.7 ± 1 mm

NO.	零件名稱 PART NAME	材質 MATERIAL	圖號 DRAWING NO.	台量 QTY	尺寸 DIM. DESCRIPTION
1	O形圈 O-Ring	橡膠 NBR	120-8	1	ID28.5xØ2
2	上塞 TOP COVER	鋁合金 ALLOY	51-3	1	1-1/8"
3	防塵蓋 DUST-RESISTANT COVER	橡膠 NBR	273-0	1	
4	鋁斜管 COMPRESSION RING	鋁合金 ALLOY	51-2	1	1-1/8"
5	密封式軸承 A.C. SEALED BEARING	軸承鋼 SUJ2	NHB-6B	1	OD41.8x45°x45°
6	特大卡式軸承 OVERSIZE CARTRIDGE BALL BEARING	軸承鋼 SUJ2	ACB-47	1	OD47x45°x45°
7	鋁下塞 CROWN RACE	鋁合金 ALLOY	398-6	1	Ø33(Ø30) <sup>+0</sup> <sub>-0.1</sub>

# H100



**WEIGHT** 123g  
1-1/4" Head Tube Reduced to 1-1/8" Fork Tube  
**SIZE** Semi-Integrated Threadless Headset  
**SHIS NORM** ZS44/28.6 | ZS50.6/33(30)



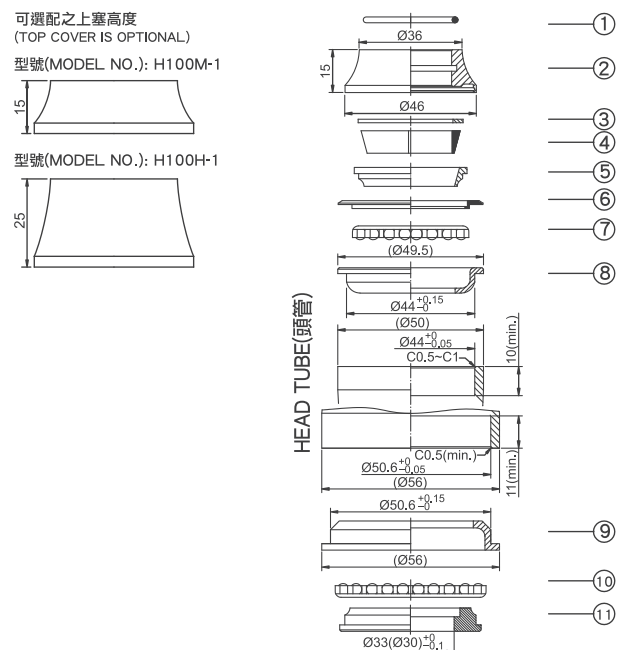
堆積高度 (STACK HEIGHT) = 8.7 ± 1 mm

NO.	零件名稱 PART NAME	材質 MATERIAL	圖號 DRAWING NO.	台量 QTY	尺寸 DIM. DESCRIPTION
1	塑膠斜管 COMPRESSION RING	塑膠 NYLON	115-2	1	1-1/8"
2	上塞 TOP COVER	碳鋼 STEEL	115-3	1	1-1/8"
3	塑膠防塵蓋 DUST-RESISTANT COVER	塑膠 NYLON	115-2A	1	
4	珠巢 BALL RETAINER	碳鋼 STEEL		1	5/32"x22
5	上碗 UPPER CUP	碳鋼 STEEL	142-4/5	1	Ø44 <sup>+0.15</sup> <sub>-0</sub>
6	下碗 LOWER CUP	碳鋼 STEEL	100-5	1	Ø50.6 <sup>+0.15</sup> <sub>-0</sub>
7	珠巢 BALL RETAINER	碳鋼 STEEL		1	5/32"x27
8	下塞 CROWN RACE	碳鋼 STEEL	100-6	1	Ø33(Ø30) <sup>+0</sup> <sub>-0.1</sub>

# H100M-1 [H100H-1]



**WEIGHT** 149g  
1-1/4" Head Tube Reduced to 1-1/8" Fork  
**SIZE** Tube Semi-Integrated Threadless Headset  
**SHIS NORM** ZS44/28.6 | ZS50.6/33(30)



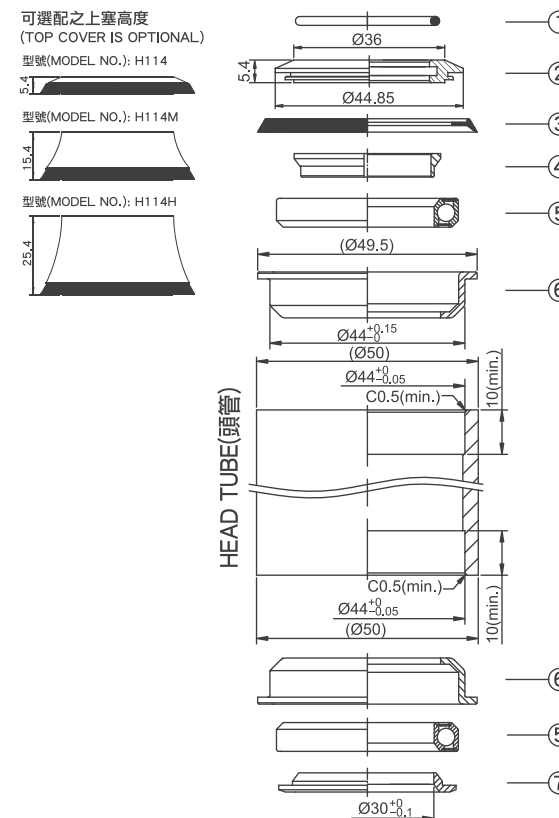
堆積高度 (STACK HEIGHT) = 22.5 ± 1 mm

NO.	零件名稱 PART NAME	材質 MATERIAL	圖號 DRAWING NO.	台量 QTY	尺寸 DIM. DESCRIPTION
1	O形圈 O-Ring	橡膠 NBR	120-8	1	ID28.5xØ2
2	鋁上塞 TOP COVER	鋁合金 ALLOY	51M-3	1	1-1/8"
3	墊片 SPACER	碳鋼 STEEL	SD36012	1	1.2xOD36
4	塑膠斜管 COMPRESSION RING	塑膠 NYLON	115-2	1	1-1/8"
5	上塞 TOP CONE	碳鋼 STEEL	115-3	1	1-1/8"
6	塑膠防塵蓋 DUST-RESISTANT COVER	塑膠 NYLON	115-2A	1	
7	珠巢 BALL RETAINER	碳鋼 STEEL		1	5/32"x22
8	上碗 UPPER CUP	碳鋼 STEEL	142-4/5	1	Ø44 <sup>+0.15</sup> <sub>-0</sub>
9	下碗 LOWER CUP	碳鋼 STEEL	100-5	1	Ø50.6 <sup>+0.15</sup> <sub>-0</sub>
10	珠巢 BALL RETAINER	碳鋼 STEEL		1	5/32"x27
11	下塞 CROWN RACE	碳鋼 STEEL	100-6	1	Ø33(Ø30) <sup>+0</sup> <sub>-0.1</sub>

# H114



**WEIGHT** 105g  
1-1/8" Semi-Integrated Threadless Headset  
**SHIS NORM** ZS44/28.6 | ZS44/30



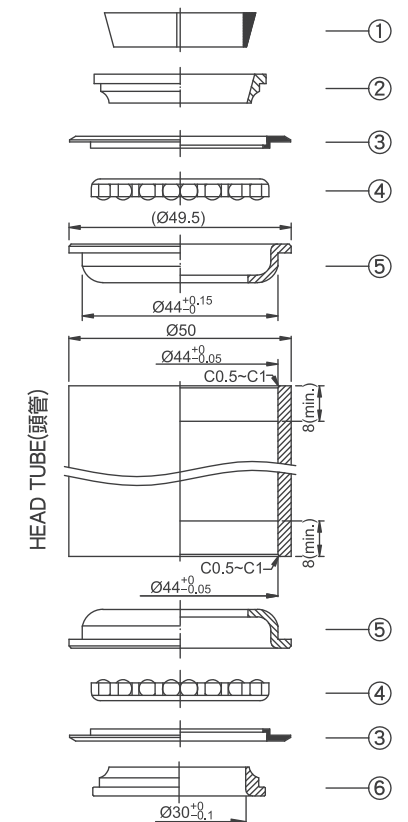
堆積高度 (STACK HEIGHT) = 9.9 ± 1 mm

NO.	零件名稱 PART NAME	材質 MATERIAL	圖號 DRAWING NO.	台量 QTY	尺寸 DIM. DESCRIPTION
1	O形圈 O-Ring	橡膠 NBR	120-8	1	ID28.5xØ2
2	上塞 TOP COVER	鋁合金 ALLOY	125-3	1	1-1/8"
3	防塵蓋 DUST-RESISTANT COVER	橡膠 NBR	118-8	1	
4	鋁斜管 COMPRESSION RING	鋁合金 ALLOY	773-2	1	1-1/8"
5	密封式軸承 A.C. SEALED BEARING	軸承鋼 SUJ2	NHB-5D	2	OD41x36°x45°
6	上下碗 CUPS	碳鋼 STEEL	114-4/5	2	Ø44 <sup>+0.15</sup> <sub>-0</sub>
7	下塞 CROWN RACE	碳鋼 STEEL	146-6	1	Ø30 <sup>+0</sup> <sub>-0.1</sub>

# H115



**WEIGHT** 97g  
1-1/8" Semi-Integrated Threadless Headset  
**SHIS NORM** ZS44/28.6 | ZS44/30



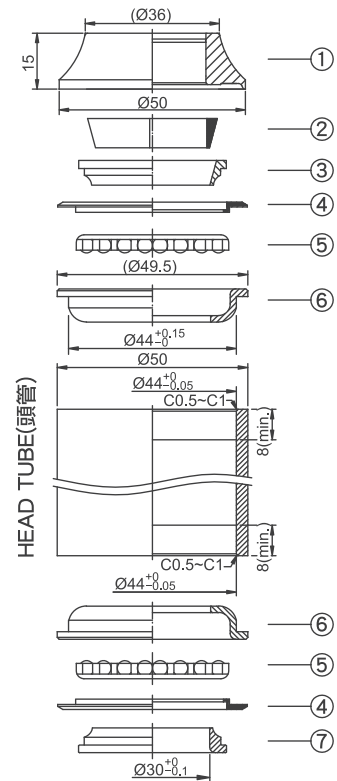
堆積高度 (STACK HEIGHT) = 9.8 ± 1 mm

NO.	零件名稱 PART NAME	材質 MATERIAL	圖號 DRAWING NO.	台量 QTY	尺寸 DIM. DESCRIPTION
1	塑膠斜管 COMPRESSION RING	塑膠 NYLON	115-2	1	1-1/8"
2	上塞 TOP COVER	碳鋼 STEEL	115-3	1	1-1/8"
3	塑膠防塵蓋 DUST-RESISTANT COVER	塑膠 NYLON	115-2A	2	
4	珠巢 BALL RETAINER	碳鋼 STEEL		2	5/32"x22
5	上下碗 CUPS	碳鋼 STEEL	142-4/5	2	Ø44 <sup>+0.15</sup> <sub>-0</sub>
6	下塞 CROWN RACE	碳鋼 STEEL	841-6	1	Ø30 <sup>+0</sup> <sub>-0.1</sub>

# H115MP



WEIGHT	113g
SIZE	1-1/8" Semi-Integrated Threadless Headset
SHIS NORM	ZS44/28.6   ZS44/30



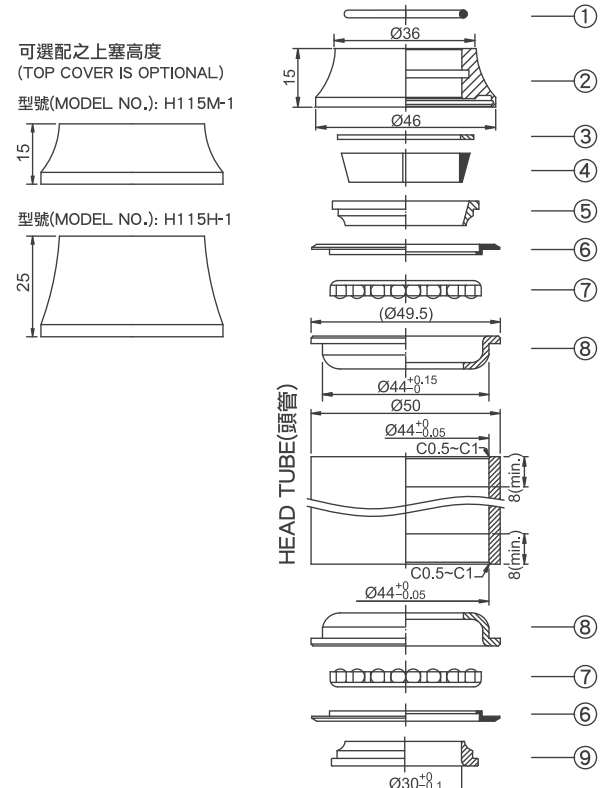
堆積高度 (STACK HEIGHT) = 23.6 ± 1 mm

NO.	零件名稱 PART NAME	材質 MATERIAL	圖號 DRAWING NO.	台量 Q.TY	尺寸 DIM.DESCRPTION
1	塑膠上蓋 TOP COVER	塑膠 PC	115MP-3	1	1-1/8"
2	塑膠斜管 COMPRESSION RING	塑膠 NYLON	115-2	1	1-1/8"
3	上塞 TOP CONE	碳鋼 STEEL	115-3	1	1-1/8"
4	塑膠防塵蓋 DUST-RESISTANT COVER	塑膠 NYLON	115-2A	2	
5	珠巢 BALL RETAINER	碳鋼 STEEL		2	5/32"x22
6	上下碗 CUPS	碳鋼 STEEL	142-4/5	2	Ø44 <sup>+0.15</sup> <sub>-0</sub>
7	下塞 CROWN RACE	碳鋼 STEEL	841-6	1	Ø30 <sup>+0</sup> <sub>-0.1</sub>

# H115M-1 [H115H-1]



WEIGHT	H115M-1:121g,H115H-1:138g
SIZE	1-1/8" Semi-Integrated Threadless Headset
SHIS NORM	ZS44/28.6   ZS44/30



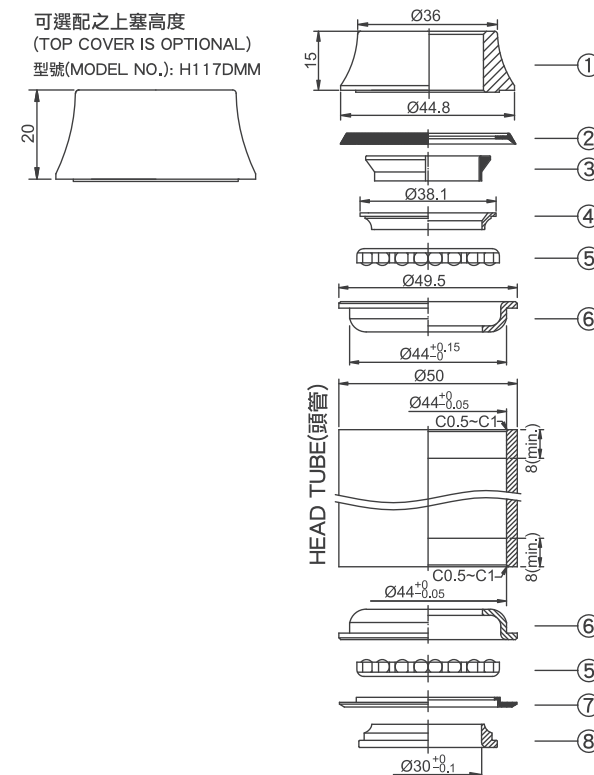
堆積高度 (STACK HEIGHT) = 23.2 ± 1 mm

NO.	零件名稱 PART NAME	材質 MATERIAL	圖號 DRAWING NO.	台量 Q.TY	尺寸 DIM.DESCRPTION
1	O形圈 O-Ring	橡膠 NBR	120-8	1	ID28.5xØ2
2	鋁上塞 TOP COVER	鋁合金 ALLOY	51M-3	1	1-1/8"
3	墊片 SPACER	碳鋼 STEEL	SD36012	1	1.2xØD36
4	塑膠斜管 COMPRESSION RING	塑膠 NYLON	115-2	1	1-1/8"
5	上塞 TOP CONE	碳鋼 STEEL	115-3	1	1-1/8"
6	塑膠防塵蓋 DUST-RESISTANT COVER	塑膠 NYLON	115-2A	2	
7	珠巢 BALL RETAINER	碳鋼 STEEL		2	5/32"x22
8	上下碗 CUPS	碳鋼 STEEL	142-4/5	2	Ø44 <sup>+0.15</sup> <sub>-0</sub>
9	下塞 CROWN RACE	碳鋼 STEEL	841-6	1	Ø30 <sup>+0</sup> <sub>-0.1</sub>

# H117DM [H117DMM]



WEIGHT	106g
SIZE	1-1/8" Semi-integrated Threadless Headset
SHIS NORM	ZS44/28.6   ZS44/30



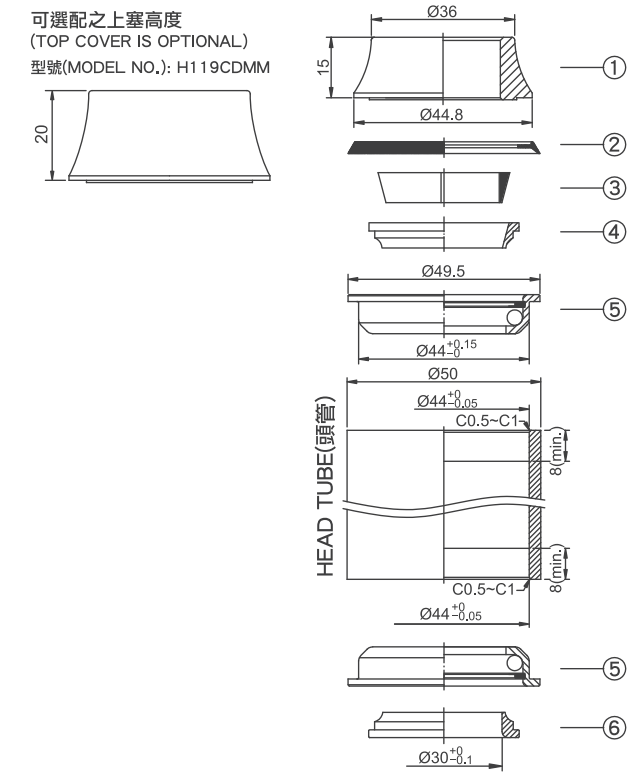
堆積高度 (STACK HEIGHT) = 23 ± 1 mm

NO.	零件名稱 PART NAME	材質 MATERIAL	圖號 DRAWING NO.	台量 Q.TY	尺寸 DIM.DESCRPTION
1	壓鑄鋁上蓋 DIE CASTING ALLOY COVER	鋁合金 ALLOY	117DM-0	1	1-1/8"
2	上防塵套 UPPER DUST-RESISTANT COVER	橡膠 NBR	118-8	1	
3	塑膠斜管 COMPRESSION RING	塑膠 NYLON	2036-2	1	1-1/8"
4	上塞 TOP CONE	鎢鉬鋼 CR-MO STEEL	148-4/5-3	1	
5	珠巢 BALL RETAINER	碳鋼 STEEL		2	5/32"x22
6	上下碗 CUPS	碳鋼 STEEL	142-4/5	2	Ø44 <sup>+0.15</sup> <sub>-0</sub>
7	下防塵套 LOWER DUST-RESISTANT COVER	碳鋼 STEEL	115-2A	1	
8	下塞 CROWN RACE	碳鋼 STEEL	841-6	1	Ø30 <sup>+0</sup> <sub>-0.1</sub>

# H119CDM [119CDMM]



WEIGHT	141.3g
SIZE	1-1/8" Semi-Integrated Threadless Headset
SHIS NORM	ZS44/28.6   ZS44/30



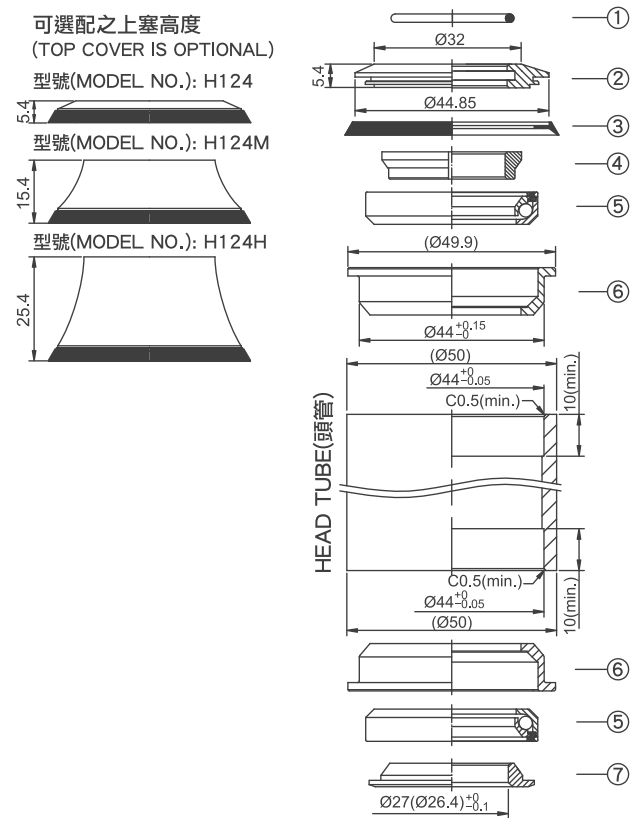
堆積高度 (STACK HEIGHT) = 21.2 ± 1 mm

NO.	零件名稱 PART NAME	材質 MATERIAL	圖號 DRAWING NO.	台量 Q.TY	尺寸 DIM.DESCRPTION
1	壓鑄鋁上蓋 DIE CASTING ALLOY COVER	鋁合金 ALLOY	117DM-0	1	1-1/8"
2	上防塵套 UPPER DUST-RESISTANT COVER	橡膠 NBR	118-8	1	
3	塑膠斜管 COMPRESSION RING	塑膠 NYLON	115-2	1	1-1/8"
4	上塞 TOP CONE	碳鋼 STEEL	115-3	1	
5	卡式上下碗 CARTRIDGE CUPS	碳鋼 STEEL	129C-4/5	2	Ø44 <sup>+0.15</sup> <sub>-0</sub>
6	下塞 CROWN RACE	碳鋼 STEEL	841-6	1	Ø30 <sup>+0</sup> <sub>-0.1</sub>

# H124



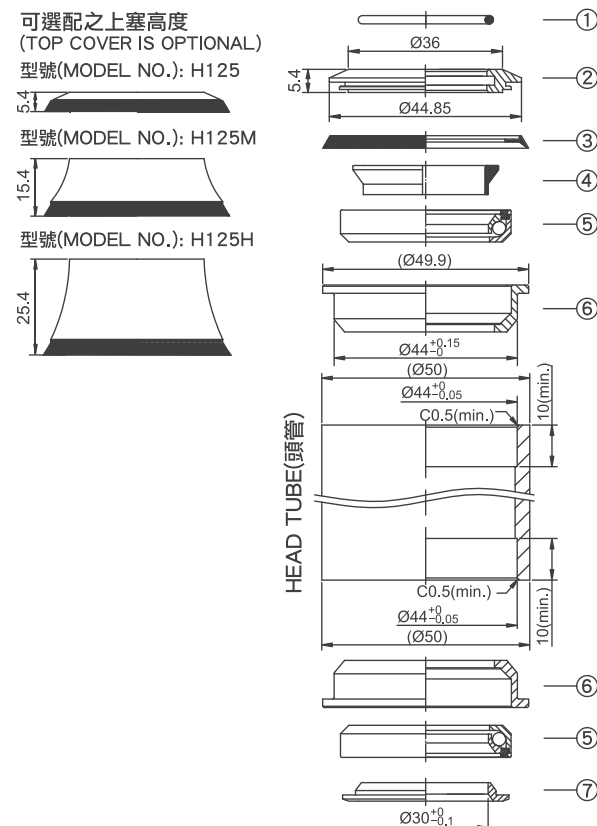
WEIGHT	91g
SIZE	1" Semi-Integrated Threadless Headset
SHIS NORM	ZS44/25.4   ZS44/27(26.4)



# H125



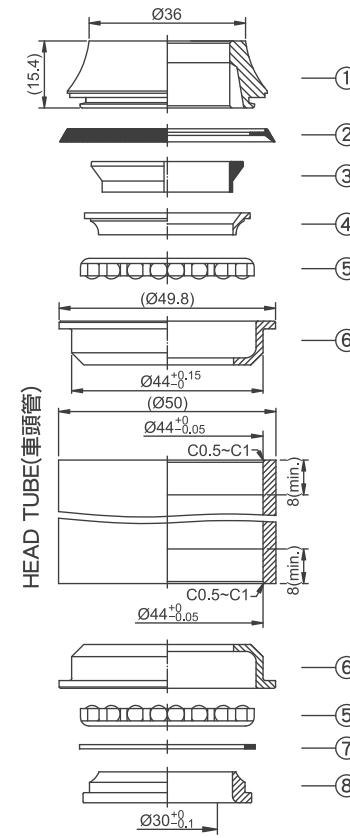
WEIGHT	60.8g
SIZE	1-1/8" Semi-Integrated Threadless Headset
SHIS NORM	ZS44/28.6   ZS44/30



# H129MP-1



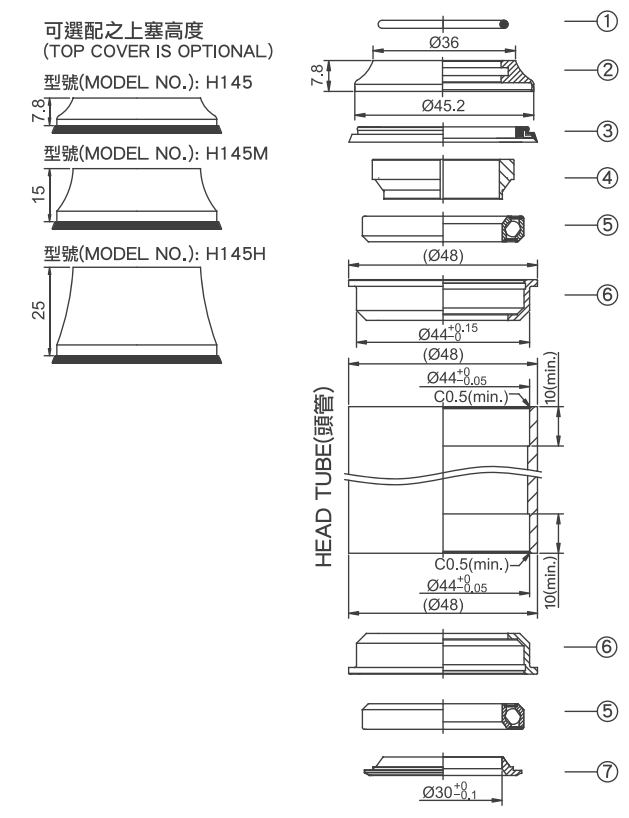
WEIGHT	96g
SIZE	1-1/8" Semi-Integrated Threadless Headset
SHIS NORM	ZS44/28.6   ZS44/30



# H145



WEIGHT	77g
SIZE	1-1/8" Semi-Integrated Threadless Headset
SHIS NORM	ZS44/28.6   ZS44/30



堆積高度 (STACK HEIGHT) = 10 ± 1 mm

NO.	零件名稱 PART NAME	材質 MATERIAL	圖號 DRAWING NO.	台量 QTY	尺寸 DIM.DESCRPTION
1	O形圈 O-Ring	橡膠 NBR	121-8	1	ID25.3xØ2
2	上塞 TOP COVER	鋁合金 ALLOY	124-3	1	1"
3	防塵蓋 DUST-RESISTANT COVER	橡膠 NBR	118-8	1	
4	鋁斜管 COMPRESSION RING	鋁合金 ALLOY	610-2	1	1"
5	卡式軸承 CARTRIDGE BALL BEARING	鎳鉬鋼 CR-MO STEEL	CBB-41	2	OD41x36°x45°
6	鋁碗 CUPS	鋁合金 ALLOY	125-4/5	2	Ø44 <sup>+0.15</sup> <sub>-0</sub>
7	下塞 CROWN RACE	碳鋼 STEEL	124-6	1	Ø27(Ø26.4) <sup>+0</sup> <sub>-0.1</sub>

堆積高度 (STACK HEIGHT) = 10 ± 1 mm

NO.	零件名稱 PART NAME	材質 MATERIAL	圖號 DRAWING NO.	台量 QTY	尺寸 DIM.DESCRPTION
1	O形圈 O-Ring	橡膠 NBR	120-8	1	ID28.5xØ2
2	上塞 TOP COVER	鋁合金 ALLOY	125-3	1	1-1/8"
3	防塵蓋 DUST-RESISTANT COVER	橡膠 NBR	118-8	1	
4	塑膠斜管 COMPRESSION RING	塑膠 NYLON	2036-2	1	1-1/8"
5	卡式軸承 CARTRIDGE BALL BEARING	鎳鉬鋼 CR-MO STEEL	CBB-41	2	OD41x36°x45°
6	鋁碗 CUPS	鋁合金 ALLOY	125-4/5	2	Ø44 <sup>+0.15</sup> <sub>-0</sub>
7	下塞 CROWN RACE	碳鋼 STEEL	146-6	1	Ø30 <sup>+0</sup> <sub>-0.1</sub>

堆積高度 (STACK HEIGHT) = 19.2 ± 1 mm

NO.	零件名稱 PART NAME	材質 MATERIAL	圖號 DRAWING NO.	台量 QTY	尺寸 DIM.DESCRPTION
1	塑膠上蓋 TOP COVER	塑膠 PC	129MP-1-3	1	1-1/8"
2	防塵套 DUST-RESISTANT COVER	橡膠 NBR	118-8	1	
3	塑膠斜管 COMPRESSION RING	塑膠 NYLON	2036-2	1	1-1/8"
4	上塞 TOP CONE	碳鋼 STEEL	117DM-3 (148-4/5-3)	1	
5	珠巢 BALL RETAINER	碳鋼 STEEL		2	5/32"x22
6	上下碗 CUPS	碳鋼 STEEL	129-4/5	2	Ø44 <sup>+0.15</sup> <sub>-0</sub>
7	防水圈 DUST-RESISTANT RING	塑膠 NYLON	841SW-10	1	
8	下塞 CROWN RACE	碳鋼 STEEL	841-6	1	Ø30 <sup>+0</sup> <sub>-0.1</sub>

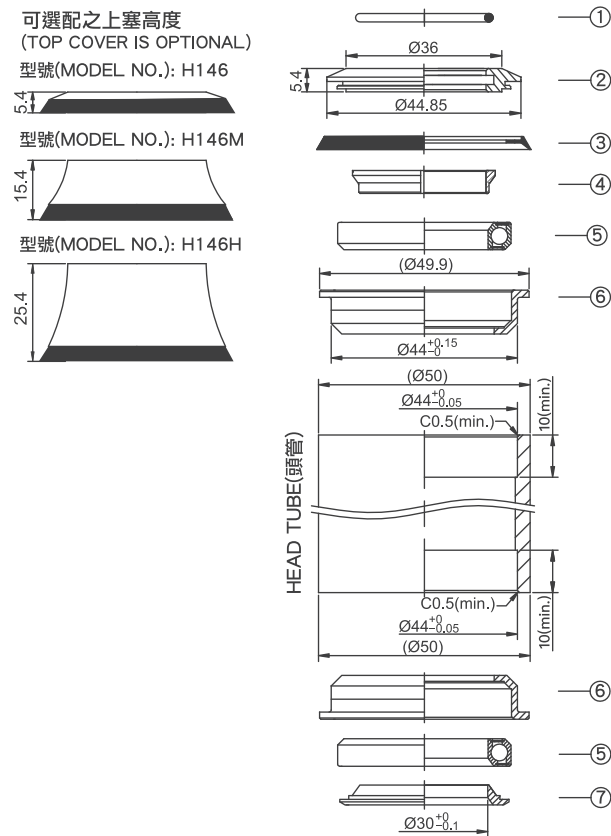
堆積高度 (STACK HEIGHT) = 14.1 ± 1 mm

NO.	零件名稱 PART NAME	材質 MATERIAL	圖號 DRAWING NO.	台量 QTY	尺寸 DIM.DESCRPTION
1	O形圈 O-Ring	橡膠 NBR	120-8	1	ID28.5xØ2
2	上塞 TOP COVER	鋁合金 ALLOY	23-3	1	1-1/8"
3	防塵蓋 DUST-RESISTANT COVER	碳鋼包膠 STEEL WITH RUBBER	123-9	1	
4	鋁斜管 COMPRESSION RING	鋁合金 ALLOY	123-2	1	1-1/8"
5	密封式軸承 A.C. SEALED BEARING	軸承鋼 SUJ2	NHB-5D	2	OD41x36°x45°
6	鋁碗 CUPS	鋁合金 ALLOY	145-4/5	2	Ø44 <sup>+0.15</sup> <sub>-0</sub>
7	鋁下塞 CROWN RACE	鋁合金 ALLOY	123-6	1	Ø30 <sup>+0</sup> <sub>-0.1</sub>

# H146



WEIGHT	77.8g
SIZE	1-1/8" Semi-Integrated Threadless Headset
SHIS NORM	ZS44/28.6   ZS44/30

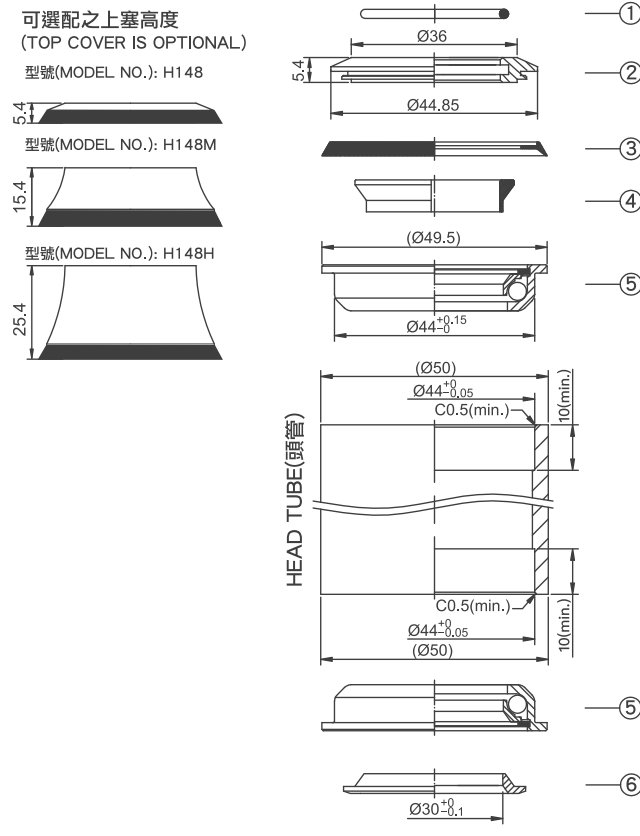


NO.	零件名稱 PART NAME	材質 MATERIAL	圖號 DRAWING NO.	台量 QTY	尺寸 DIM.DESCRPTION
1	O形圈 O-Ring	橡膠 NBR	120-8	1	ID28.5xØ2
2	上塞 TOP COVER	鋁合金 ALLOY	125-3	1	1-1/8"
3	防塵蓋 DUST-RESISTANT COVER	橡膠 NBR	118-8	1	
4	鋁斜管 COMPRESSION RING	鋁合金 ALLOY	773-2	1	1-1/8"
5	密封式軸承 A.C. SEALED BEARING	軸承鋼 SUJ2	NHB-5D	2	OD41x36°x45°
6	鋁碗 CUPS	鋁合金 ALLOY	146-4/5	2	Ø44 <sup>+0.15</sup> <sub>-0</sub>
7	鋁下塞 CROWN RACE	鋁合金 ALLOY	123-6	1	Ø30 <sup>+0</sup> <sub>-0.1</sub>

# H148



WEIGHT	106g
SIZE	1-1/8" Semi-Integrated Threadless Headset
SHIS NORM	ZS44/28.6   ZS44/30

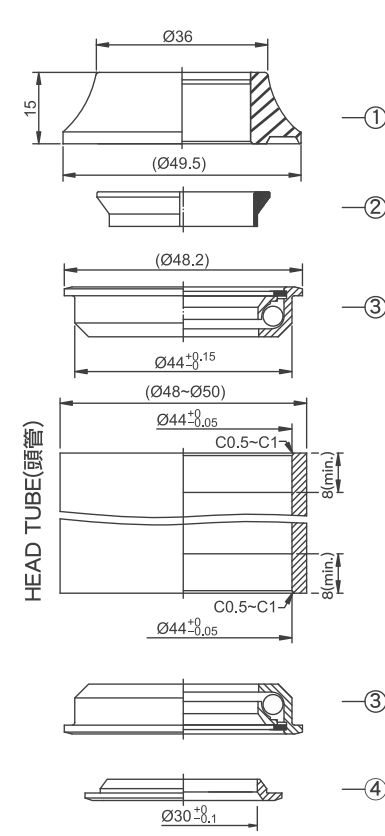


NO.	零件名稱 PART NAME	材質 MATERIAL	圖號 DRAWING NO.	台量 QTY	尺寸 DIM.DESCRPTION
1	O形圈 O-Ring	橡膠 NBR	120-8	1	ID28.5xØ2
2	上塞 TOP COVER	鋁合金 ALLOY	125-3	1	1-1/8"
3	防塵蓋 DUST-RESISTANT COVER	橡膠 NBR	118-8	1	
4	塑膠斜管 COMPRESSION RING	塑膠 NYLON	2036-2	1	1-1/8"
5	卡式碗 CARTRIDGE STEEL CUPS	碳鋼 STEEL	148-4/5	2	Ø44 <sup>+0.15</sup> <sub>-0</sub>
6	下塞 CROWN RACE	碳鋼 STEEL	146-6	1	Ø30 <sup>+0</sup> <sub>-0.1</sub>

# H148MP



WEIGHT	103.3g
SIZE	1-1/8" Semi-Integrated Threadless Headset
SHIS NORM	ZS44/28.6   ZS44/30

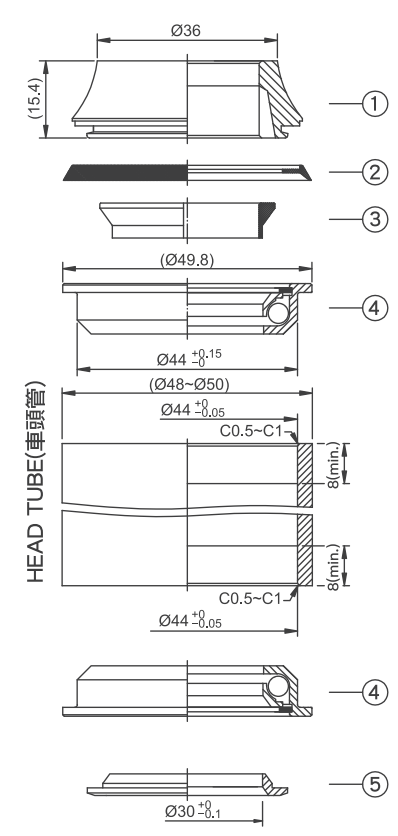


NO.	零件名稱 PART NAME	材質 MATERIAL	圖號 DRAWING NO.	台量 QTY	尺寸 DIM.DESCRPTION
1	塑膠上蓋 TOP COVER	塑鋼 PC	148MP-3	1	1-1/8"
2	塑膠斜管 COMPRESSION RING	塑膠 NYLON	2036-2	1	1-1/8"
3	半卡式碗 SEMI-CARTRIDGE STEEL CUPS	碳鋼 STEEL	148T-4/5	2	Ø44 <sup>+0.15</sup> <sub>-0</sub>
4	下塞 CROWN RACE	碳鋼 STEEL	146-6	1	Ø30 <sup>+0</sup> <sub>-0.1</sub>

# H148MP-1



WEIGHT	107.7g
SIZE	1-1/8" Semi-Integrated Threadless Headset
SHIS NORM	ZS44/28.6   ZS44/30



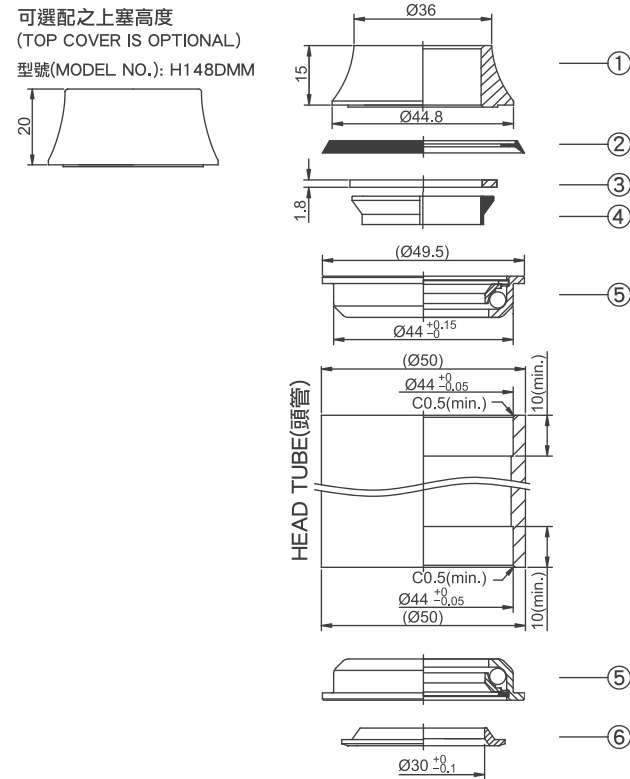
NO.	零件名稱 PART NAME	材質 MATERIAL	圖號 DRAWING NO.	台量 QTY	尺寸 DIM.DESCRPTION
1	塑膠上蓋 TOP COVER	塑鋼 PC	129MP-1-3	1	1-1/8"
2	防塵蓋 DUST-RESISTANT COVER	橡膠 NBR	118-8	1	
3	塑膠斜管 COMPRESSION RING	塑膠 NYLON	2036-2	1	1-1/8"
4	半卡式碗 SEMI-CARTRIDGE STEEL CUPS	碳鋼 STEEL	148-4/5	2	Ø44 <sup>+0.15</sup> <sub>-0</sub>
5	下塞 CROWN RACE	碳鋼 STEEL	146-6	1	Ø30 <sup>+0</sup> <sub>-0.1</sub>

# H148DM

[H148DMM]



WEIGHT	122.8g
SIZE	1-1/8" Semi-Integrated Threadless Headset
SHIS NORM	ZS44/28.6   ZS44/30



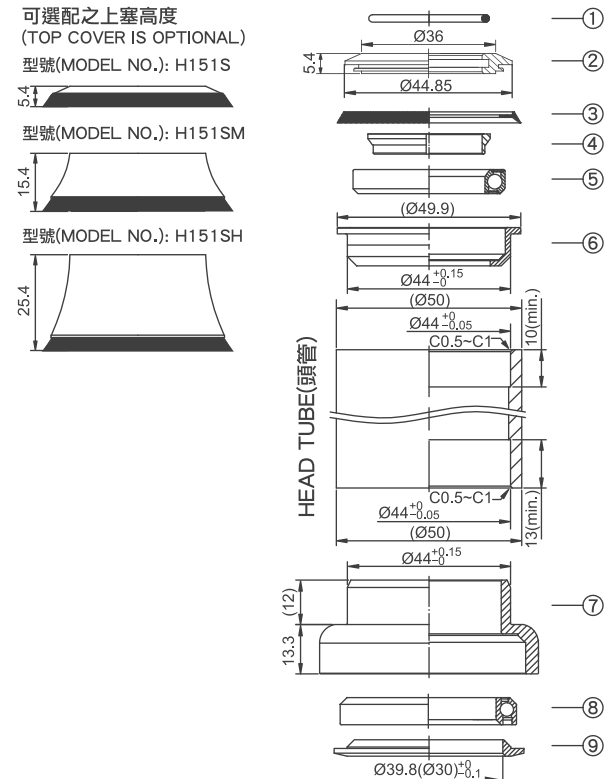
堆積高度 (STACK HEIGHT) = 21.6 ± 1 mm

NO.	零件名稱 PART NAME	材質 MATERIAL	圖號 DRAWING NO.	台量 Q.TY	尺寸 DIM.DESCRPTION
1	壓鑄鋁上蓋 DIE CASTING ALLOY COVER	鋁合金 ALLOY	117DM-0	1	1-1/8"
2	防塵蓋 DUST-RESISTANT COVER	橡膠 NBR	118-8	1	
3	墊片 SPACER	碳鋼 STEEL	SD36018	1	1.8xOD36(1-1/8")
4	塑膠斜管 COMPRESSION RING	塑膠 NYLON	2036-2	1	1-1/8"
5	半卡式碗 SEMI-CARTRIDGE CUPS	碳鋼 STEEL	148-4/5	2	Ø44 <sup>+0.15</sup> <sub>-0</sub>
6	下塞 CROWN RACE	碳鋼 STEEL	146-6	1	Ø30 <sup>+0</sup> <sub>-0.1</sub>

# H151S



WEIGHT	119g
SIZE	Fits 1-1/8" to 1.5" Tapered Fork Threadless Headset
SHIS NORM	ZS44/28.6   EC44/39.8(30)



堆積高度 (STACK HEIGHT) = 20.2 ± 1 mm

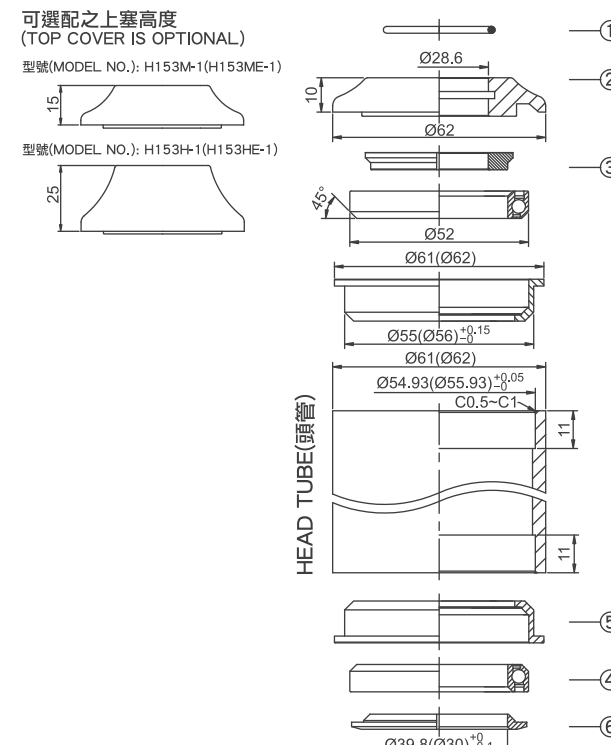
NO.	零件名稱 PART NAME	材質 MATERIAL	圖號 DRAWING NO.	台量 Q.TY	尺寸 DIM.DESCRPTION
1	O形圈 O-Ring	橡膠 NBR	120-8	1	ID28.5xØ2
2	上塞 TOP COVER	鋁合金 ALLOY	125-3	1	1-1/8"
3	防塵蓋 DUST-RESISTANT COVER	橡膠 NBR	118-8	1	
4	鋁斜管 COMPRESSION RING	鋁合金 ALLOY	773-2	1	1-1/8"
5	密封軸承 A.C. SEALED BEARING	軸承鋼 SUJ2	NHB-5D	1	OD41x36"x45°
6	鋁上碗 UPPER CUP	鋁合金 ALLOY	146-4/5	1	Ø44 <sup>+0.15</sup> <sub>-0</sub>
7	鋁下碗 LOEWR CUP	鋁合金 ALLOY	151S-5	1	Ø44 <sup>+0.15</sup> <sub>-0</sub>
8	特大密封式軸承 OVERSIZE A.C. SEALED BEARING	軸承鋼 SUJ2	NHB-15	1	OD52x45"x45°
9	鋁下塞 CROWN RACE	鋁合金 ALLOY	151-6 (153-6)	1	Ø39.8(Ø30) <sup>+0</sup> <sub>-0.1</sub>

# H153-1

[H153E-1]



WEIGHT	135g
SIZE	1.5" Head Tube Reduced to 1-1/8"
SHIS NORM	ZS55/28.6   ZS55/39.8(30)
OPTIONAL	H153E-1:ZS56/28.6   ZS56/39.8(30)



堆積高度 (STACK HEIGHT) = 15.6 ± 1 mm

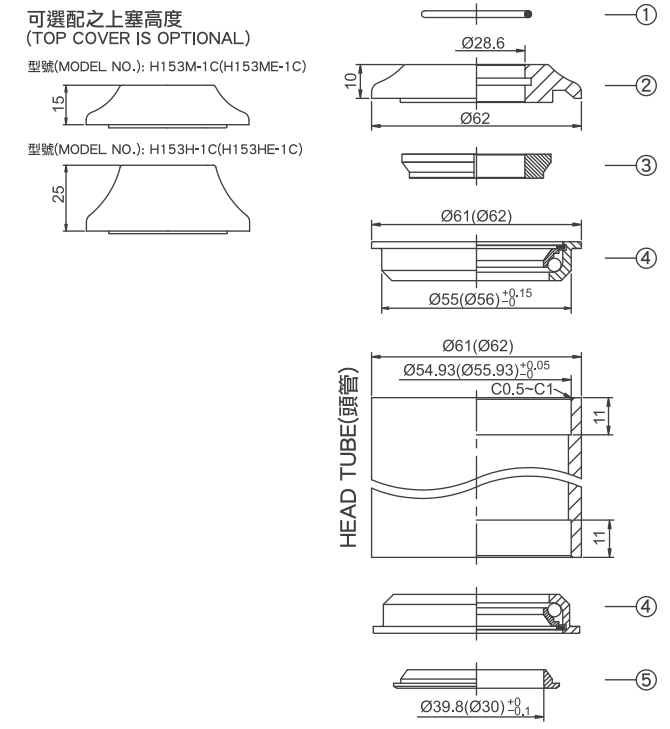
NO.	零件名稱 PART NAME	材質 MATERIAL	圖號 DRAWING NO.	台量 Q.TY	尺寸 DIM.DESCRPTION
1	O形圈 O-Ring	橡膠 NBR	120-8	1	ID28.5xØ2
2	鋁上塞 TOP COVER	鋁合金 6061/T6	153E-1-3 (153ME-1-3)	1	1-1/8"
3	鋁斜管 COMPRESSION RING	鋁合金 6061/T6	153-2	1	1-1/8"
4	密封式軸承 SUPER OVERSIZE AC SEALED BEARING	軸承鋼 SUJ2	NHB-15	2	OD52x45"x45°
5	上下碗 CUPS	鋁合金 6061/T6	383-5(285-5)	2	Ø55(Ø56) <sup>+0.15</sup> <sub>-0</sub>
6	鋁下塞 CROWN RACE	鋁合金 7075/T6	151-6(153-6)	1	Ø39.8(Ø30) <sup>+0</sup> <sub>-0.1</sub>

# H153-1C

[H153E-1C]



WEIGHT	145g
SIZE	1.5" Head Tube Reduced to 1-1/8"
SHIS NORM	ZS55/28.6   ZS55/39.8(30)
OPTIONAL	H153E-1C:ZS56/28.6   ZS56/39.8(30)



堆積高度 (STACK HEIGHT) = 15.8 ± 1 mm

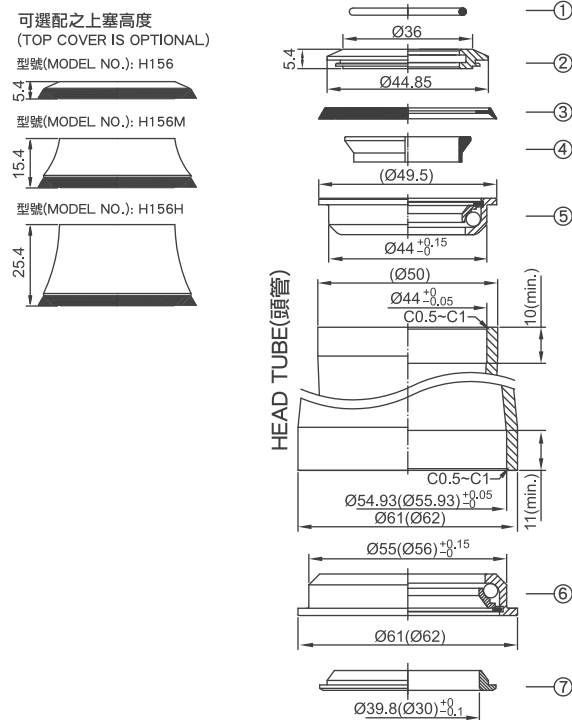
NO.	零件名稱 PART NAME	材質 MATERIAL	圖號 DRAWING NO.	台量 Q.TY	尺寸 DIM.DESCRPTION
1	O形圈 O-Ring	橡膠 NBR	120-8	1	ID28.5xØ2
2	鋁上塞 TOP COVER	鋁合金 6061/T6	153E-1-3 (153ME-1-3)	1	1-1/8"
3	鋁斜管 COMPRESSION RING	鋁合金 6061/T6	154-2	1	1-1/8"
4	半卡式上/下碗 CUPS	碳鋼 STEEL	156-5(156E-5)	2	Ø55(Ø56) <sup>+0.15</sup> <sub>-0</sub>
5	下塞 CROWN RACE	碳鋼 STEEL	156-6	1	Ø39.8(Ø30) <sup>+0</sup> <sub>-0.1</sub>

# H156

[H156E]



WEIGHT	134g
SIZE	1.5" Head Tube Reduced to 1-1/8"
SHIS NORM	Fork Tube Semi-Integrated Threadless Headset
OPTIONAL	ZS44/28.6   ZS55/39.8(30)
OPTIONAL	H156E:ZS44/28.6   ZS56/39.8(30)

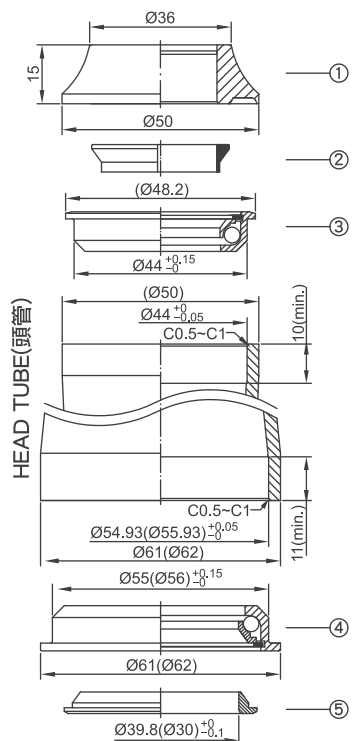


# H156MP

[H156EMP]



WEIGHT	133g
SIZE	1.5" Head Tube Reduced to 1-1/8"
SHIS NORM	Fork Tube Semi-Integrated Threadless Headset
OPTIONAL	ZS44/28.6   ZS55/39.8(30)
OPTIONAL	H156EMP:ZS44/28.6   ZS56/39.8(30)



堆積高度 (STACK HEIGHT) = 19.5 ± 1 mm

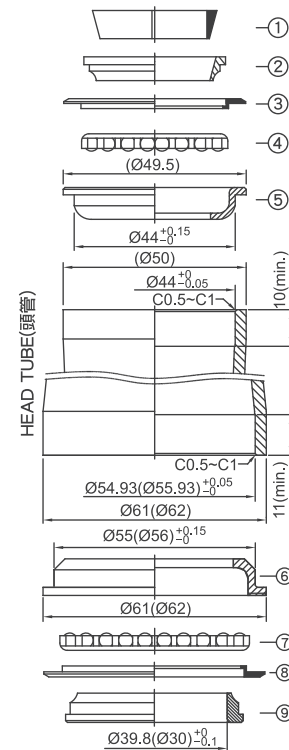
NO.	零件名稱 PART NAME	材質 MATERIAL	圖號 DRAWING NO.	台量 Q.TY	尺寸 DIM.DESCRPTION
1	塑膠上蓋 TOP COVER	塑膠 PC	148MP-3	1	1-1/8"
2	塑膠斜管 COMPRESSION RING	塑膠 NYLON	2036-2	1	1-1/8"
3	半卡式上碗 SEMI-CARTRIDGE STEEL UPPER CUP	碳鋼 STEEL	148T-4	1	Ø44 <sup>+0.15</sup> <sub>-0</sub>
4	半卡式下碗 SEMI-CARTRIDGE STEEL LOWER CUP	碳鋼 STEEL	156-5(156E-5)	1	Ø55(Ø56) <sup>+0.15</sup> <sub>-0</sub>
5	下塞 CROWN RACE	碳鋼 STEEL	156-6	1	Ø39.8(Ø30) <sup>+0</sup> <sub>-0.1</sub>

# H159

[H159E]



WEIGHT	127g
SIZE	1.5" Head Tube Reduced to 1-1/8" Fork Tube
SHIS NORM	Semi-Integrated Threadless Headset
OPTIONAL	ZS44/28.6   ZS55/39.8(30)
OPTIONAL	H159E:ZS44/28.6   ZS56/39.8(30)



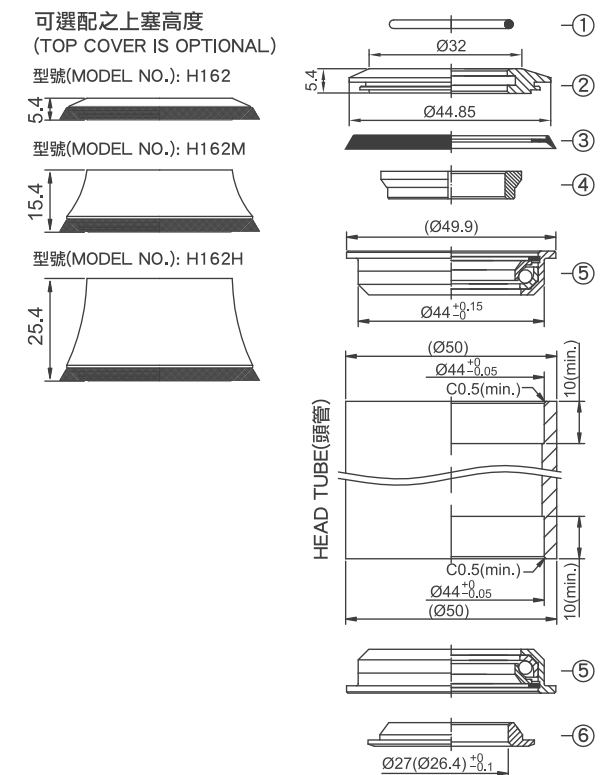
堆積高度 (STACK HEIGHT) = 9.7 ± 1 mm

NO.	零件名稱 PART NAME	材質 MATERIAL	圖號 DRAWING NO.	台量 Q.TY	尺寸 DIM.DESCRPTION
1	塑膠斜管 COMPRESSION RING	塑膠 NYLON	115-2	1	1-1/8"
2	上塞 TOP COVER	碳鋼 STEEL	115-3	1	1-1/8"
3	防塵蓋 DUST-RESISTANT COVER	塑膠 NYLON	115-2A	1	
4	珠巢 BALL RETAINER	碳鋼 STEEL		1	5/32"x22
5	上碗 UPPER CUP	碳鋼 STEEL	142-4/5	1	Ø44 <sup>+0.15</sup> <sub>-0</sub>
6	下碗 LOEWR CUP	碳鋼 STEEL	159-5 (159E-5)	1	Ø55(Ø56) <sup>+0.15</sup> <sub>-0</sub>
7	珠巢 BALL RETAINER	碳鋼 STEEL		1	5/32"x27
8	下防塵蓋 LOWER DUST-RESISTANT COVER	塑膠 NYLON	159-8	1	
9	下塞 CROWN RACE	碳鋼 STEEL	159-6	1	Ø39.8(Ø30) <sup>+0</sup> <sub>-0.1</sub>

# H162



WEIGHT	82g
SIZE	1" Semi-Integrated Threadless Headset
SHIS NORM	1" Semi-Integrated Threadless Headset
OPTIONAL	ZS44/25.4   ZS44/27(26.4)



堆積高度 (STACK HEIGHT) = 9.1 ± 1 mm

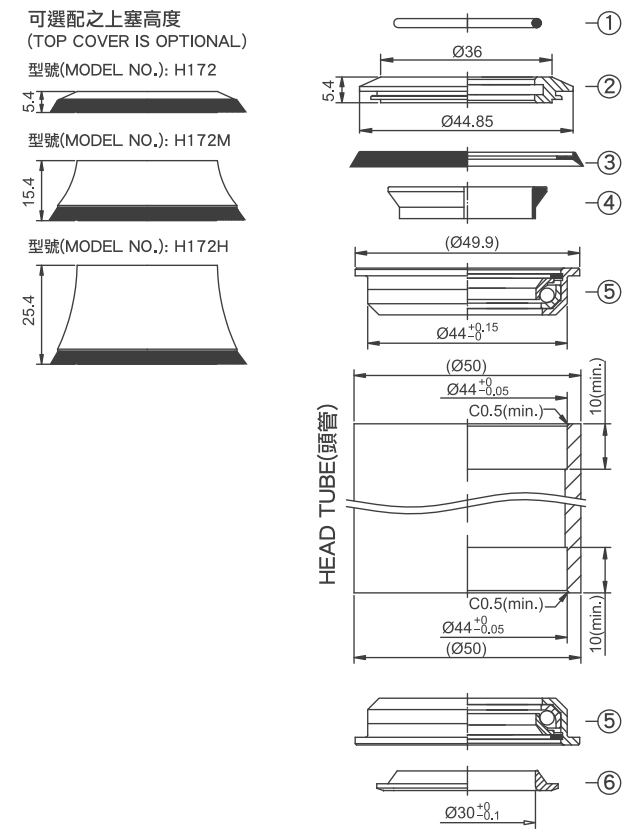
NO.	零件名稱 PART NAME	材質 MATERIAL	圖號 DRAWING NO.	台量 Q.TY	尺寸 DIM.DESCRPTION
1	O形圈 O-Ring	橡膠 NBR	121-8	1	ID25.3xØ2
2	上塞 TOP COVER	鋁合金 ALLOY	124-3	1	1"
3	防塵蓋 DUST-RESISTANT COVER	橡膠 NBR	118-8	1	
4	鋁斜管 COMPRESSION RING	鋁合金 ALLOY	610-2	1	1"
5	半卡式鋁碗 SEMI-CARTRIDGE ALLOY CUP	鋁合金+合金鋼 ALLOY+CR-MO STEEL	172-4/5	2	Ø44 <sup>+0.15</sup> <sub>-0</sub>
6	下塞 CROWN RACE	碳鋼 STEEL	124-6	1	Ø27(Ø26.4) <sup>+0</sup> <sub>-0.1</sub>



# H172



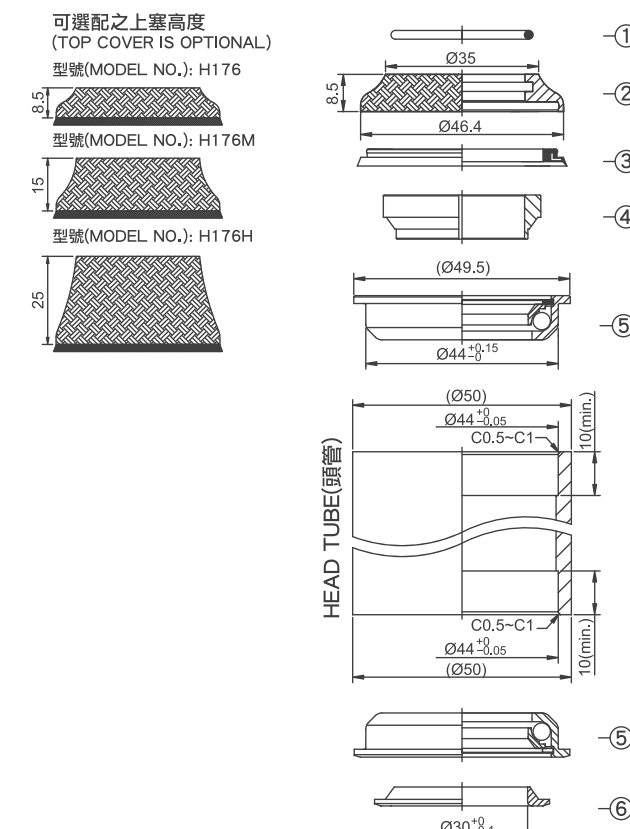
WEIGHT	75g
SIZE	1-1/8" Semi-Integrated Threadless Headset
SHIS NORM	ZS44/28.6   ZS44/30



# H176



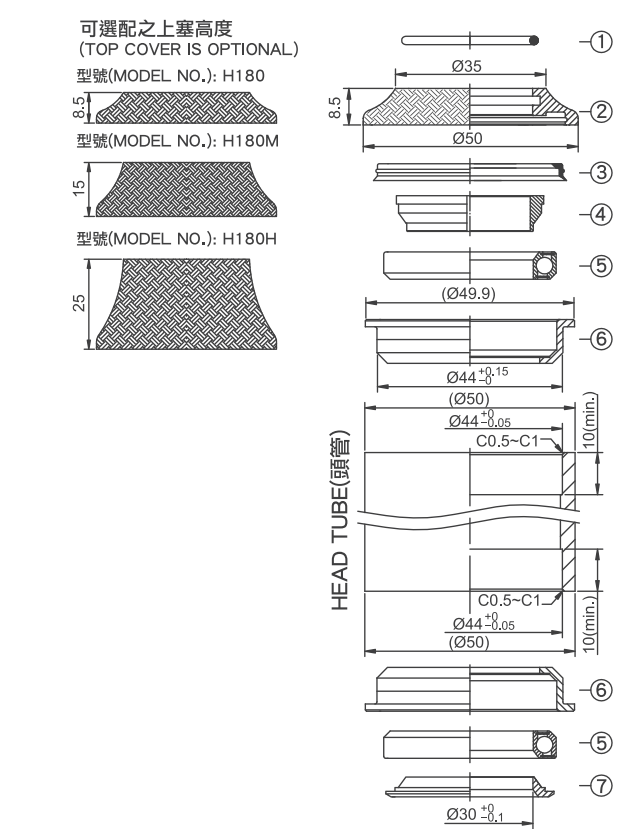
WEIGHT	112g
SIZE	1-1/8" Semi-Integrated Threadless Headset
SHIS NORM	ZS44/28.6   ZS44/30



# H180



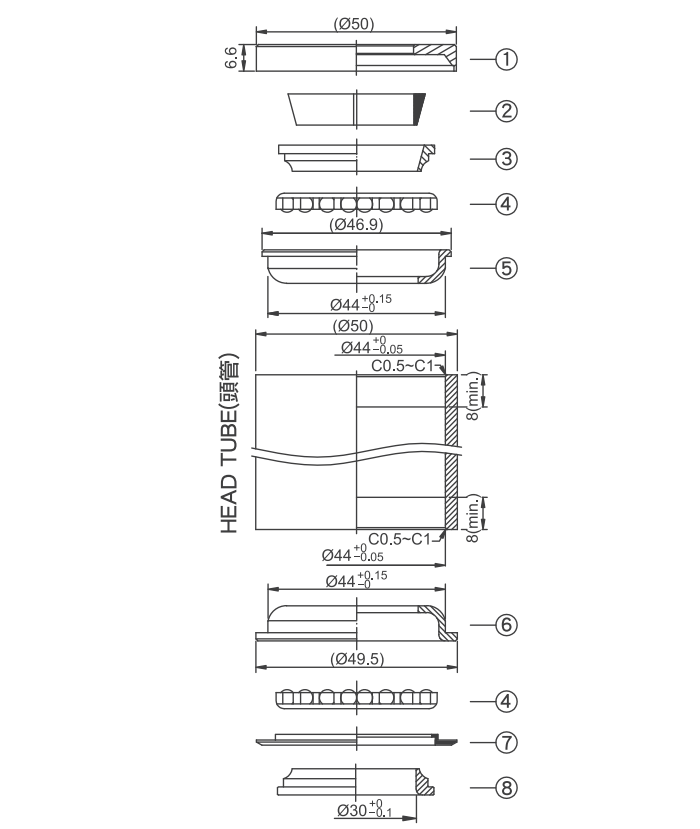
WEIGHT	75g
SIZE	1-1/8" Semi-Integrated Threadless Headset
SHIS NORM	ZS44/28.6   ZS44/30



# H185



WEIGHT	98g
SIZE	1-1/8" Semi-Integrated Threadless Headset
SHIS NORM	ZS44/28.6   ZS44/30



堆積高度 (STACK HEIGHT) = 9.1 ± 1 mm

NO.	零件名稱 PART NAME	材質 MATERIAL	圖號 DRAWING NO.	台量 QTY	尺寸 DIM.DESCRPTION
1	O形圈 O-Ring	橡膠 NBR	120-8	1	ID28.5xØ2
2	上塞 TOP COVER	鋁合金 ALLOY	125-3	1	1-1/8"
3	防塵蓋 DUST-RESISTANT COVER	橡膠 NBR	118-8	1	
4	塑膠斜管 COMPRESSION RING	塑膠 NYLON	2036-2	1	1-1/8"
5	半卡式碗 SEMI-CARTRIDGE ALLOY CUP	鋁合金+合金鋼 ALLOY+CR-MO STEEL	172-4/5	2	Ø44 <sup>+0.15</sup> <sub>-0</sub>
6	下塞 CROWN RACE	碳鋼 STEEL	146-6	1	Ø30 <sup>+0</sup> <sub>-0.1</sub>

堆積高度 (STACK HEIGHT) = 14.6 ± 1 mm

NO.	零件名稱 PART NAME	材質 MATERIAL	圖號 DRAWING NO.	台量 QTY	尺寸 DIM.DESCRPTION
1	O形圈 O-Ring	橡膠 NBR	120-8	1	ID28.5xØ2
2	上塞 TOP COVER	碳纖維 CARBON FIBER	22-3	1	1-1/8"
3	防塵蓋 DUST-RESISTANT COVER	碳鋼包膠 STEEL WITH RUBBER	123-9	1	
4	鋁斜管 COMPRESSION RING	鋁合金 ALLOY	123-2	1	1-1/8"
5	半卡式碗 SEMI-CARTRIDGE STEEL CUP	碳鋼 STEEL	148-4/5	2	Ø44 <sup>+0.15</sup> <sub>-0</sub>
6	下塞 CROWN RACE	碳鋼 STEEL	146-6	1	Ø30 <sup>+0</sup> <sub>-0.1</sub>

堆積高度 (STACK HEIGHT) = 13.7 ± 1 mm

NO.	零件名稱 PART NAME	材質 MATERIAL	圖號 DRAWING NO.	台量 QTY	尺寸 DIM.DESCRPTION
1	O形圈 O-Ring	橡膠 NBR	120-8	1	ID28.5xØ2
2	上塞 TOP COVER	碳纖維 CARBON FIBER	180-3	1	1-1/8"
3	防塵蓋 DUST-RESISTANT COVER	橡膠 NBR	273-0	1	
4	鋁斜管 COMPRESSION RING	鋁合金 ALLOY	180-2	1	1-1/8"
5	密封式軸承 A.C. SEALED BEARING	軸承鋼 SUJ2	NHB-5D	2	OD41x36°x45°
6	鋁碗 CUPS	鋁合金 ALLOY	146-4/5	2	Ø44 <sup>+0.15</sup> <sub>-0</sub>
7	鋁下塞 CROWN RACE	鋁合金 ALLOY	123-6	1	Ø30 <sup>+0</sup> <sub>-0.1</sub>

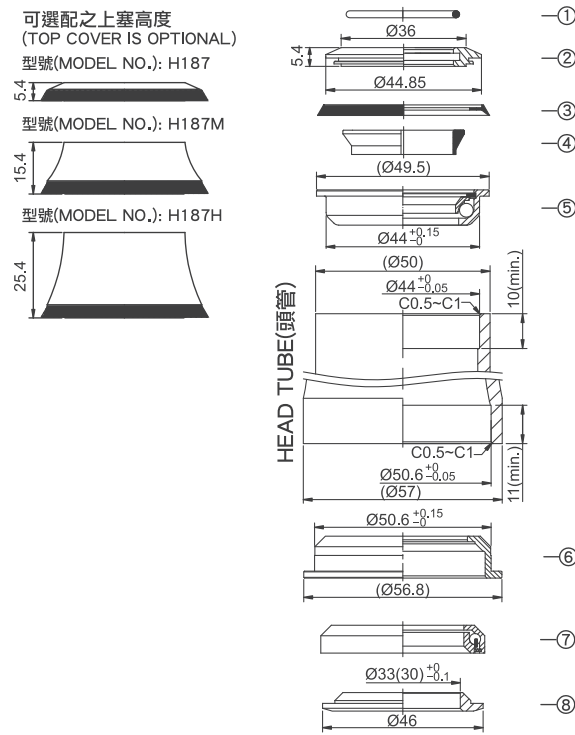
堆積高度 (STACK HEIGHT) = 11.7 ± 1 mm

NO.	零件名稱 PART NAME	材質 MATERIAL	圖號 DRAWING NO.	台量 QTY	尺寸 DIM.DESCRPTION
1	鋁上蓋 TOP COVER	鋁合金 ALLOY	185-1	1	1-1/8"
2	塑膠斜管 COMPRESSION RING	塑膠 NYLON	115-2	1	1-1/8"
3	上塞 TOP CONE	碳鋼 STEEL	115-3	1	1-1/8"
4	珠巢 BALL RETAINER	碳鋼 STEEL		2	5/32"x22
5	上碗 UPPER CUP	碳鋼 STEEL	184-4	1	Ø44 <sup>+0.15</sup> <sub>-0</sub>
6	下碗 LOWER CUP	碳鋼 STEEL	142-4/5	1	Ø44 <sup>+0.15</sup> <sub>-0</sub>
7	塑膠防塵套 DUST-RESISTANT COVER	塑膠 NYLON	115-2A	1	
8	下塞 CROWN RACE	碳鋼 STEEL	841-6	1	Ø30 <sup>+0</sup> <sub>-0.1</sub>

# H187



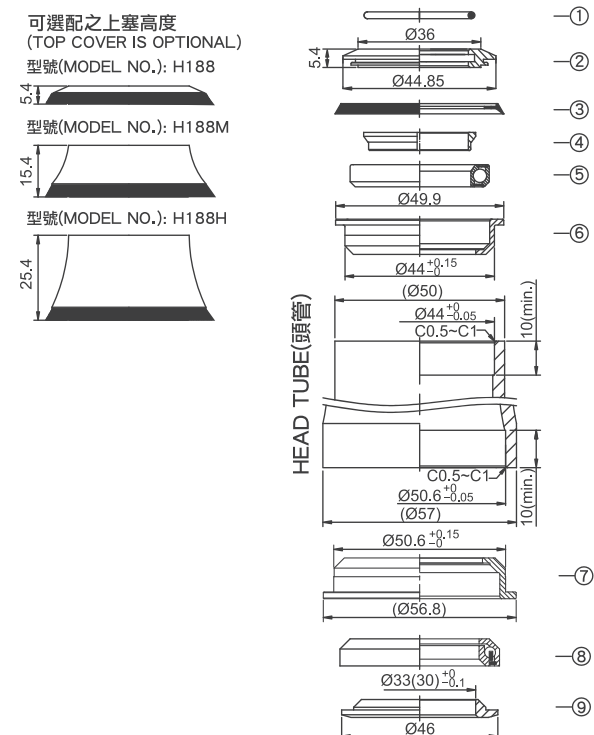
**WEIGHT** 130g  
1-1/4" Head Tube Reduced to 1-1/8"  
**SIZE** Fork Tube Semi-Integrated Threadless Headset  
**SHIS NORM** ZS44/28.6 | ZS50.6/33(30)



# H188



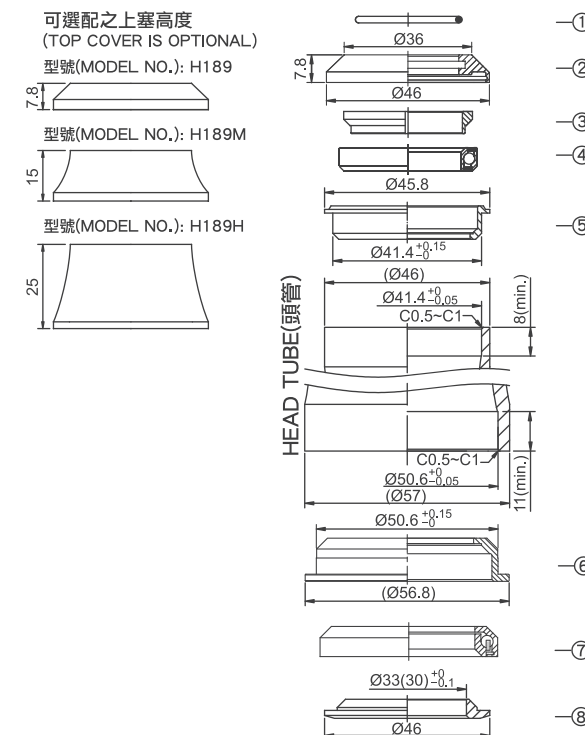
**WEIGHT** 106g  
1-1/4" Head Tube Reduced to 1-1/8"  
**SIZE** Fork Tube Semi-Integrated Threadless Headset  
**SHIS NORM** ZS44/28.6 | ZS50.6/33(30)



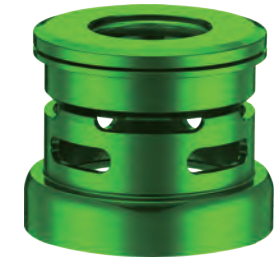
# H189



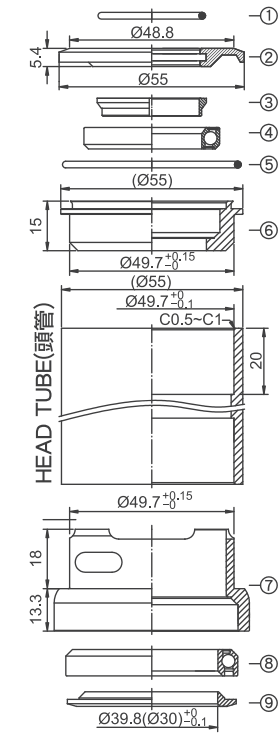
**WEIGHT** 102g  
1-1/4" Reduced to 1-1/8"  
**SIZE** Fork Tube Semi-Integrated Threadless Headset  
**SHIS NORM** ZS41.4/28.6 | ZS50.6/33(30)



# H332L



**WEIGHT** 145g  
1.5" Head Tube Reduced to 1-1/8" Fork Tube  
**SIZE** Semi-Integrated + External Cup Threadless Headset  
**SHIS NORM** ZS49.7/28.6 | EC49.7 /39.8(30)



堆積高度 (STACK HEIGHT) = 9.9 ± 1 mm

NO.	零件名稱 PART NAME	材質 MATERIAL	圖號 DRAWING NO.	台量 QTY	尺寸 DIM.DESCRPTION
1	O形圈 O-Ring	橡膠 NBR	120-8	1	ID28.5xØ2
2	上塞 TOP COVER	鋁合金 ALLOY	125-3	1	1-1/8"
3	防塵蓋 DUST-RESISTANT COVER	橡膠 NBR	118-8	1	
4	塑膠斜管 COMPRESSION RING	塑膠 NYLON	2036-2	1	1-1/8"
5	半卡式碗 SEMI-CARTRIDGE CUP	碳鋼 STEEL	148-4/5	1	Ø44 <sup>+0.15</sup> <sub>-0</sub>
6	下碗 LOWER CUP	鋁合金 ALLOY	187-5	1	Ø50.6 <sup>+0.15</sup> <sub>-0</sub>
7	加大型卡式軸承 OVERSIZE CARTRIDGE BALL BEARING	軸承鋼 SUJ2	ACB-47	1	OD47x45°x45°
8	下塞 CROWN RACE	碳鋼 STEEL	187-6	1	Ø(33)30 <sup>0</sup> <sub>-0.1</sub>

堆積高度 (STACK HEIGHT) = 9.2 ± 1 mm

NO.	零件名稱 PART NAME	材質 MATERIAL	圖號 DRAWING NO.	台量 QTY	尺寸 DIM.DESCRPTION
1	O形圈 O-Ring	橡膠 NBR	120-8	1	ID28.5xØ2
2	上塞 TOP COVER	鋁合金 ALLOY	125-3	1	1-1/8"
3	防塵蓋 DUST-RESISTANT COVER	橡膠 NBR	118-8	1	
4	鋁斜管 COMPRESSION RING	鋁合金 ALLOY	773-2	1	1-1/8"
5	密封式軸承 A.C. SEALED BEARING	軸承鋼 SUJ2	NHB-5D	1	OD41x36°x45°
6	上碗 UPPER CUP	鋁合金 ALLOY	146-4/5	1	Ø44 <sup>+0.15</sup> <sub>-0</sub>
7	下碗 LOWER CUP	鋁合金 ALLOY	187-5	1	Ø50.6 <sup>+0.15</sup> <sub>-0</sub>
8	加大型卡式軸承 OVERSIZE CARTRIDGE BALL BEARING	軸承鋼 SUJ2	ACB-47	1	OD47x45°x45°
9	下塞 CROWN RACE	碳鋼 STEEL	187-6	1	Ø(33)30 <sup>0</sup> <sub>-0.1</sub>

堆積高度 (STACK HEIGHT) = 12.2 ± 1 mm

NO.	零件名稱 PART NAME	材質 MATERIAL	圖號 DRAWING NO.	台量 QTY	尺寸 DIM.DESCRPTION
1	O形圈 O-Ring	橡膠 NBR	120-8	1	ID28.5xØ2
2	上塞 TOP COVER	鋁合金 ALLOY	51-3	1	1-1/8"
3	鋁斜管 COMPRESSION RING	鋁合金 ALLOY	52-2	1	1-1/8"
4	密封式軸承 A.C. SEALED BEARING	軸承鋼 SUJ2	NHB-6S	1	OD39x45°x45°
5	上碗 UPPER CUP	鋁合金 ALLOY	189-4	1	Ø41.4 <sup>+0.15</sup> <sub>-0</sub>
6	下碗 LOWER CUP	鋁合金 ALLOY	187-5	1	Ø50.6 <sup>+0.15</sup> <sub>-0</sub>
7	加大型卡式軸承 OVERSIZE CARTRIDGE BALL BEARING	軸承鋼 SUJ2	ACB-47	1	OD47x45°x45°
8	下塞 CROWN RACE	碳鋼 STEEL	187-6	1	Ø(33)30 <sup>0</sup> <sub>-0.1</sub>

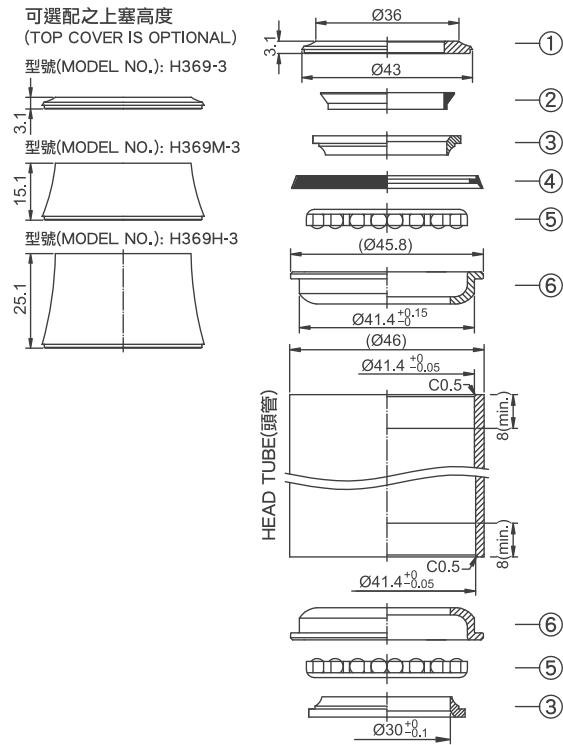
堆積高度 (STACK HEIGHT) = 20.3 ± 1 mm

NO.	零件名稱 PART NAME	材質 MATERIAL	圖號 DRAWING NO.	台量 QTY	尺寸 DIM.DESCRPTION
1	O形圈 O-Ring	橡膠 NBR	120-8	1	ID28.5xØ2
2	鋁上塞 TOP COVER	鋁合金 ALLOY	332-3	1	1-1/8"
3	鋁斜管 COMPRESSION RING	鋁合金 ALLOY	773-2	1	1-1/8"
4	密封式軸承 A.C. SEALED BEARING	軸承鋼 SUJ2	NHB-5D	1	OD41x36°x45°
5	O形圈 O-Ring	橡膠 NBR	151-8	1	ID37.82xØ1.78
6	上碗 UPPER CUP	鋁合金 ALLOY	332-4	1	Ø49.7 <sup>+0.15</sup> <sub>-0</sub>
7	下碗 LOWER CUP	鋁合金 ALLOY	151A-5	1	Ø49.7 <sup>+0.15</sup> <sub>-0</sub>
8	特大型卡式軸承 OVERSIZE A.C. SEALED BEARING	軸承鋼 SUJ2	NHB-15	1	OD52x45°x45°
9	鋁下塞 CROWN RACE	鋁合金 ALLOY	151-6(153-6)	1	Ø39.8(30) <sup>0</sup> <sub>-0.1</sub>

# H369-3



WEIGHT	70g
SIZE	1-1/8" Semi-Integrated Threadless Headset
SHIS NORM	ZS41.4/28.6   ZS41.4 /30



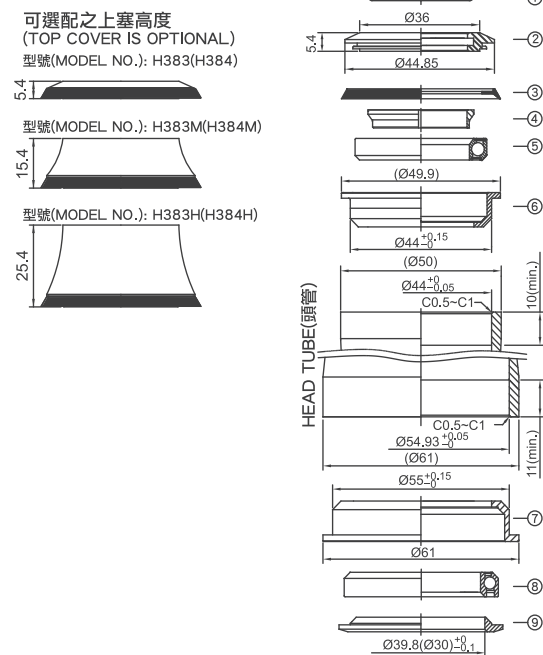
堆積高度 (STACK HEIGHT) = 10.2 ± 1 mm

NO.	零件名稱 PART NAME	材質 MATERIAL	圖號 DRAWING NO.	台量 QTY	尺寸 DIM.DESCRPTION
1	鋁蓋 TOP COVER	鋁合金 ALLOY	369-3-1	1	1-1/8"
2	塑膠斜管 COMPRESSION RING	塑膠 NYLON	701-2	1	1-1/8"
3	上下塞 TOP & LOWER CONE	碳鋼 STEEL	369-3-6	2	Ø30 <sup>+0</sup> <sub>-0.1</sub>
4	防塵蓋 DUST-RESISTANT COVER	塑膠 PE	141-8	1	
5	珠巢 BALL RETAINER	碳鋼 STEEL		2	1/8"x23
6	上下碗 CUPS	碳鋼 STEEL	141-4/5	2	Ø41.4 <sup>+0.15</sup> <sub>-0</sub>

# H383 [H383A] H384 [H384A]



WEIGHT	106g
SIZE	1.5" Head Tube Reduced to 1-1/8"
SHIS NORM	ZS44/28.6   ZS55/39.8 (H383)
OPTIONAL	H384 #6 Crown Race ID:30.0mm
SHIS NORM	ZS44/28.6   ZS55/30(H384)
OPTIONAL MATERIAL	H383A/H384A :Alloy lower cup and Crown Race



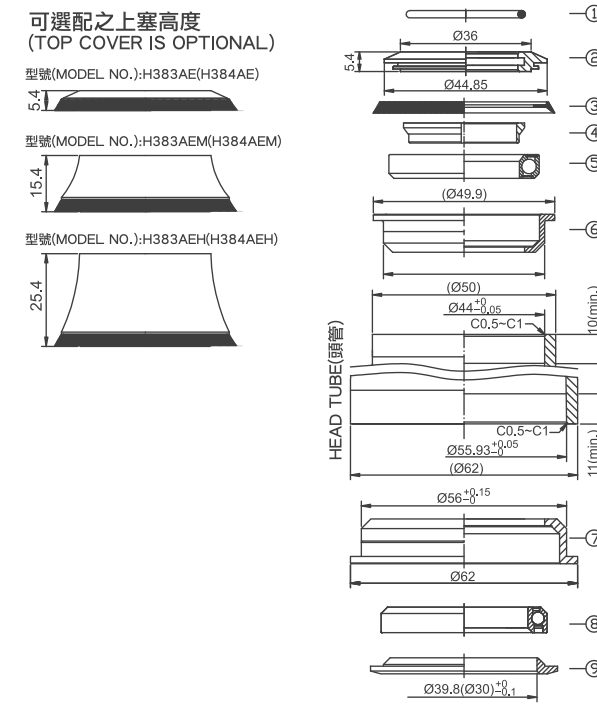
堆積高度 (STACK HEIGHT) = 9.5 ± 1 mm

NO.	零件名稱 PART NAME	材質 MATERIAL	圖號 DRAWING NO.	台量 QTY	尺寸 DIM.DESCRPTION
1	O形圈 O-Ring	橡膠 NBR	120-8	1	ID28.5xØ2
2	上塞 TOP COVER	鋁合金 ALLOY	125-3	1	1-1/8"
3	防塵蓋 DUST-RESISTANT COVER	橡膠 NBR	118-8	1	
4	鋁斜管 COMPRESSION RING	鋁合金 ALLOY	773-2	1	1-1/8"
5	密封式軸承 A.C. SEALED BEARING	軸承鋼 SUJ2	NHB-5D	1	OD41x36"x45°
6	上碗 UPPER CUP	鋁合金 ALLOY	146-4/5	1	Ø44 <sup>+0.15</sup> <sub>-0</sub>
7	下碗 LOEWR CUP	碳鋼 STEEL	383-5	1	Ø55 <sup>+0.15</sup> <sub>-0</sub>
8	加大型卡式軸承 OVERSIZE A.C. SEALED BEARING	軸承鋼 SUJ2	NHB-15	1	OD52x45"x45°
9	下塞 CROWN RACE	碳鋼 STEEL	151-6 (153-6)	1	Ø39.8(30) <sup>+0</sup> <sub>-0.1</sub>

# H383AE [H384AE]



WEIGHT	106g
SIZE	1.5" Head Tube Reduced to 1-1/8"
SHIS NORM	ZS44/28.6   ZS56/39.8(H383AE)
OPTIONAL	H384AE #6 Crown Race ID:30.0mm
SHIS NORM	ZS44/28.6   ZS56/30(H384AE)



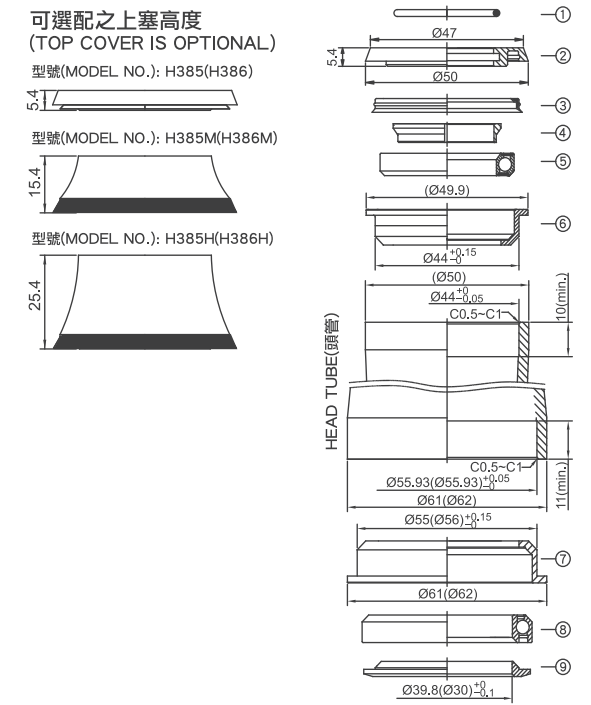
堆積高度 (STACK HEIGHT) = 9.5 ± 1 mm

NO.	零件名稱 PART NAME	材質 MATERIAL	圖號 DRAWING NO.	台量 QTY	尺寸 DIM.DESCRPTION
1	O形圈 O-Ring	橡膠 NBR	120-8	1	ID28.5xØ2
2	上塞 TOP COVER	鋁合金 ALLOY	125-3	1	1-1/8"
3	防塵蓋 DUST-RESISTANT COVER	橡膠 NBR	118-8	1	
4	鋁斜管 COMPRESSION RING	鋁合金 ALLOY	773-2	1	1-1/8"
5	密封式軸承 A.C. SEALED BEARING	軸承鋼 SUJ2	NHB-5D	1	OD41x36"x45°
6	上碗 UPPER CUP	鋁合金 ALLOY	146-4/5	1	Ø44 <sup>+0.15</sup> <sub>-0</sub>
7	下碗 LOEWR CUP	鋁合金 ALLOY	285-5	1	Ø56 <sup>+0.15</sup> <sub>-0</sub>
8	加大型卡式軸承 OVERSIZE A.C. SEALED BEARING	軸承鋼 SUJ2	NHB-15	1	OD52x45"x45°
9	鋁下塞 CROWN RACE	鋁合金 ALLOY	151-6 (153-6)	1	Ø39.8(30) <sup>+0</sup> <sub>-0.1</sub>

# H385 [H385E] H386 [H386E]



WEIGHT	97g
SIZE	1.5" Head Tube Reduced to 1-1/8"
SHIS NORM	ZS44/28.6   ZS55/39.8 (H385)
OPTIONAL	ZS44/28.6   ZS55/30(H386)
OPTIONAL	H385E/H386E:Lower Head Tube ID/OD.=56/62mm



堆積高度 (STACK HEIGHT) = 9.5 ± 1 mm

NO.	零件名稱 PART NAME	材質 MATERIAL	圖號 DRAWING NO.	台量 QTY	尺寸 DIM.DESCRPTION
1	O形圈 O-Ring	橡膠 NBR	120-8	1	ID28.5xØ2
2	上塞 TOP COVER	鋁合金 ALLOY	385-3	1	1-1/8"
3	防塵蓋 DUST-RESISTANT COVER	橡膠 NBR	273-0	1	
4	鋁斜管 COMPRESSION RING	鋁合金 ALLOY	773-2	1	1-1/8"
5	密封式軸承 A.C. SEALED BEARING	軸承鋼 SUJ2	NHB-5D	1	OD41x36"x45°
6	上碗 UPPER CUP	鋁合金 ALLOY	146-4/5	1	Ø44 <sup>+0.15</sup> <sub>-0</sub>
7	下碗 LOEWR CUP	鋁合金 ALLOY	383-5 (285-5)	1	Ø55(Ø56) <sup>+0.15</sup> <sub>-0</sub>
8	加大型卡式軸承 OVERSIZE A.C. SEALED BEARING	軸承鋼 SUJ2	NHB-15	1	OD52x45"x45°
9	鋁下塞 CROWN RACE	鋁合金 ALLOY	151-6 (153-6)	1	Ø39.8(30) <sup>+0</sup> <sub>-0.1</sub>

# H108 [H108H]



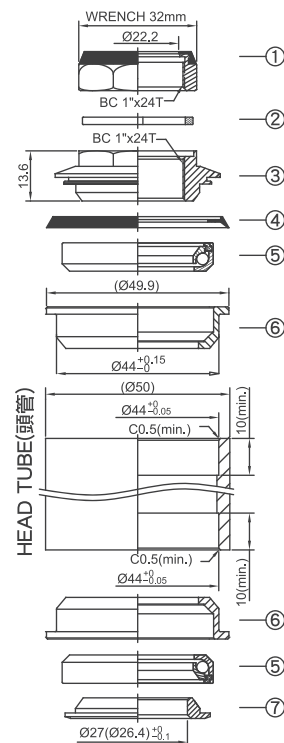
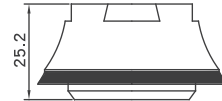
WEIGHT	106g
SIZE	1" Semi-Integrated Threaded Headset
DIMENSIONS	Ø22.2x44/50x27(26.4)

可選配之上塞高度  
(TOP COVER IS OPTIONAL)

型號(MODEL NO.): H108



型號(MODEL NO.): H108H



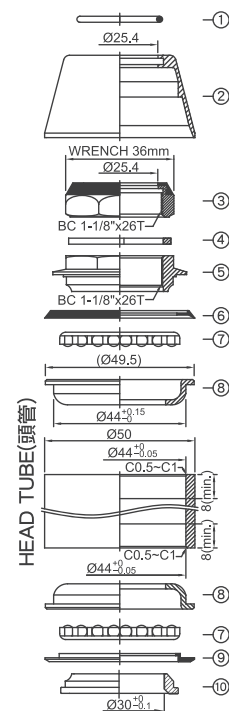
堆積高度 (STACK HEIGHT) = 23.2 ± 1 mm

NO.	零件名稱 PART NAME	材質 MATERIAL	圖號 DRAWING NO.	台量 QTY	尺寸 DIM.DESCRPTION
1	防水上迫緊 LOCK NUT WITH SEAL	鋁合金 ALLOY	807W-1	1	BC 1"x24T
2	有領華司 KEY WASHER	碳鋼 STEEL	SK3002	1	1"
3	鋁上塞 ADJUSTING CONE	鋁合金 ALLOY	108-3	1	BC 1"x24T
4	防塵蓋 DUST-RESISTANT COVER	橡膠 NBR	118-8	1	
5	卡式承軸 CARTRIDGE BALL BEARING	鉻鉬鋼 CR-MO STEEL	CBB-41	2	OD41x36°x45°
6	鋁碗 CUPS	鋁合金 ALLOY	125-4/5	2	Ø44 <sup>+0.15</sup> <sub>-0.1</sub>
7	下塞 CROWN RACE	碳鋼 STEEL	124-6	1	Ø27(Ø26.4) <sub>-0.1</sub>

# H112N



WEIGHT	171g
SIZE	1-1/8" Semi-Integrated Threaded Headset
SIZE	w/Alloy Cover
DIMENSIONS	Ø25.4x44/50x30



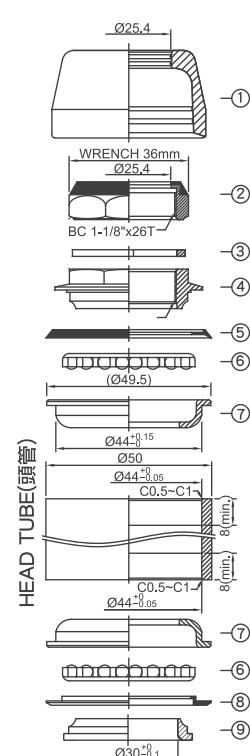
堆積高度 (STACK HEIGHT) = 25.5 ± 1 mm

NO.	零件名稱 PART NAME	材質 MATERIAL	圖號 DRAWING NO.	台量 QTY	尺寸 DIM.DESCRPTION
1	O形圈 O-Ring	橡膠 NBR	121-8	1	ID25.3xØ2
2	鋁蓋 TOP COVER	鋁合金 ALLOY	128-0	1	1-1/8"
3	防水上迫緊 LOCK NUT WITH SEAL	碳鋼 STEEL	841SW-1	1	BC 1-1/8"x26T
4	有領華司 KEY WASHER	碳鋼 STEEL	SK3402	1	1-1/8"
5	上塞 ADJUSTING CONE	碳鋼 STEEL	128-3	1	BC 1-1/8"x26T
6	防塵蓋 DUST-RESISTANT COVER	橡膠 NBR	118-8	1	
7	珠巢 BALL RETAINER	碳鋼 STEEL		2	5/32"x22
8	上下碗 CUPS	碳鋼 STEEL	142-4/5	2	Ø44 <sup>+0.15</sup> <sub>-0.1</sub>
9	塑膠防塵蓋 DUST-RESISTANT COVER	塑膠 NYLON	115-2A	1	
10	下塞 CROWN RACE	碳鋼 STEEL	841-6	1	Ø30 <sup>+0.1</sup> <sub>-0.1</sub>

# H113N



WEIGHT	163g
SIZE	1-1/8" Semi-Integrated Threaded Headset
SIZE	w/Plastic Cover
DIMENSIONS	Ø25.4x44/50x30



堆積高度 (STACK HEIGHT) = 25.5 ± 1 mm

NO.	零件名稱 PART NAME	材質 MATERIAL	圖號 DRAWING NO.	台量 QTY	尺寸 DIM.DESCRPTION
1	塑膠蓋 TOP COVER	塑膠 NYLON	113-0	1	1-1/8"
2	防水上迫緊 LOCK NUT WITH SEAL	碳鋼 STEEL	841SW-1	1	BC 1-1/8"x26T
3	有領華司 KEY WASHER	碳鋼 STEEL	SK3402	1	1-1/8"
4	上塞 ADJUSTING CONE	碳鋼 STEEL	128-3	1	BC 1-1/8"x26T
5	防塵蓋 DUST-RESISTANT COVER	橡膠 NBR	118-8	1	
6	珠巢 BALL RETAINER	碳鋼 NYLON		2	5/32"x22
7	上下碗 CUPS	碳鋼 STEEL	142-4/5	2	Ø44 <sup>+0.15</sup> <sub>-0.1</sub>
8	塑膠防塵蓋 DUST-RESISTANT COVER	塑膠 NYLON	115-2A	1	
9	下塞 CROWN RACE	碳鋼 STEEL	841-6	1	Ø30 <sup>+0.1</sup> <sub>-0.1</sub>

# H118 [H118H]



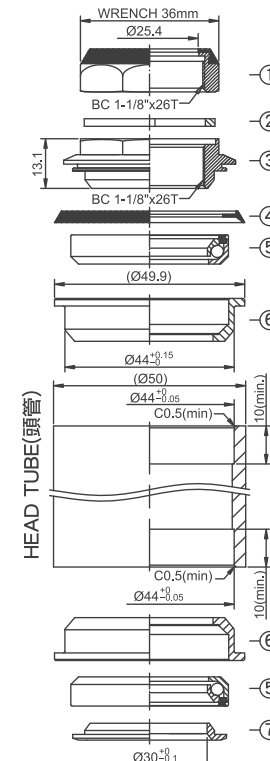
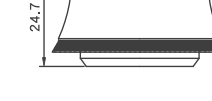
WEIGHT	103g
SIZE	1-1/8" Semi-Integrated Threaded Headset
DIMENSIONS	Ø25.4x44/50x30

可選配之上塞高度  
(TOP COVER IS OPTIONAL)

型號(MODEL NO.): H118



型號(MODEL NO.): H118H



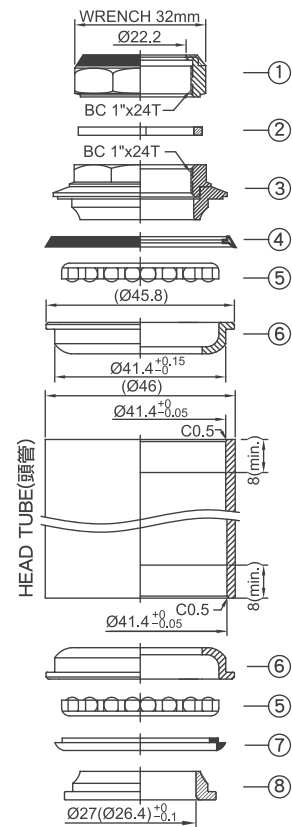
堆積高度 (STACK HEIGHT) = 23.5 ± 1 mm

NO.	零件名稱 PART NAME	材質 MATERIAL	圖號 DRAWING NO.	台量 QTY	尺寸 DIM.DESCRPTION
1	防水上迫緊 LOCK NUT WITH SEAL	鋁合金 ALLOY	815W-1	1	BC 1-1/8"x26T
2	有領華司 KEY WASHER	碳鋼 STEEL	SK3402	1	1-1/8"
3	鋁上塞 ADJUSTING CONE	鋁合金 ALLOY	118-3	1	BC 1-1/8"x26T
4	防塵蓋 DUST-RESISTANT COVER	橡膠 NBR	118-8	1	
5	卡式承軸 CARTRIDGE BALL BEARING	鉻鉬鋼 CR-MO STEEL	CBB-41	2	OD41x36°x45°
6	鋁碗 CUPS	鋁合金 ALLOY	125-4/5	2	Ø44 <sup>+0.15</sup> <sub>-0.1</sub>
7	下塞 CROWN RACE	碳鋼 STEEL	146-6	1	Ø30 <sup>+0.1</sup> <sub>-0.1</sub>

# H127



WEIGHT	128 g
SIZE	1" Semi-Integrated Threaded Headset
DIMENSIONS	Ø22.2x41.4/46x27(26.4)



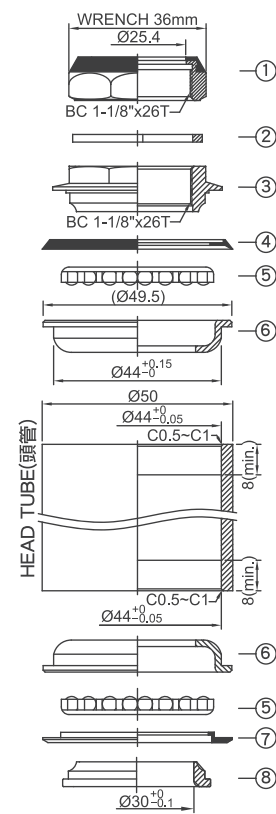
堆積高度 (STACK HEIGHT) = 25.2 ± 1 mm

NO.	零件名稱 PART NAME	材質 MATERIAL	圖號 DRAWING NO.	台量 Q.TY	尺寸 DIM.DESCRPTION
1	防水上迫緊 LOCK NUT WITH SEAL	碳鋼 STEEL	831SW-1	1	BC 1"x24T
2	有領華司 KEY WASHER	碳鋼 STEEL	SK3002	1	1"
3	上塞 ADJUSTING CONE	碳鋼 STEEL	127-3	1	BC 1"x24T
4	防塵蓋 DUST-RESISTANT COVER	塑膠 PE	141-8	1	
5	珠巢 BALL RETAINER	碳鋼 STEEL		2	5/32"x16
6	上下碗 CUPS	碳鋼 STEEL	141-4/5	2	Ø41.4 <sup>+0.15</sup> <sub>0</sub>
7	下防水圈 LOWER DUST-RESISTANT COVER	塑膠 NYLON	831SW-8	1	
8	下塞 CROWN RACE	碳鋼 STEEL	800-6	1	Ø27(Ø26.4) <sup>+0.1</sup> <sub>0</sub>

# H128N



WEIGHT	153g
SIZE	1-1/8" Semi-Integrated Threaded Headset
DIMENSIONS	Ø25.4x44/50x30



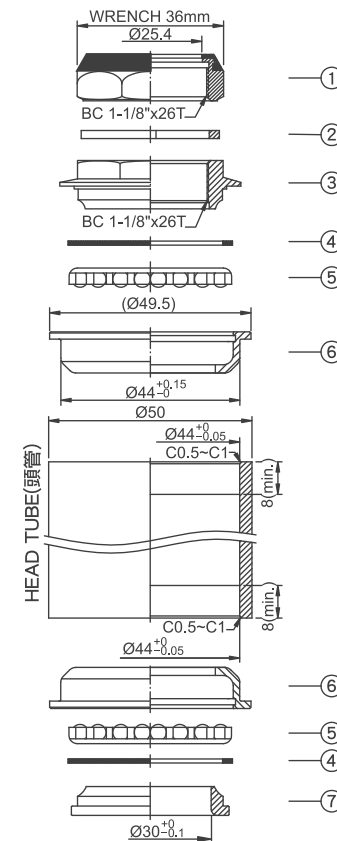
堆積高度 (STACK HEIGHT) = 25.5 ± 1 mm

NO.	零件名稱 PART NAME	材質 MATERIAL	圖號 DRAWING NO.	台量 Q.TY	尺寸 DIM.DESCRPTION
1	防水上迫緊 LOCK NUT WITH SEAL	碳鋼 STEEL	841SW-1	1	BC 1-1/8"x26T
2	有領華司 KEY WASHER	碳鋼 STEEL	SK3402	1	1-1/8"
3	上塞 ADJUSTING CONE	碳鋼 STEEL	128-3	1	BC 1-1/8"x26T
4	防塵蓋 DUST-RESISTANT COVER	橡膠 NBR	118-8	1	
5	珠巢 BALL RETAINER	碳鋼 STEEL		2	5/32"x22
6	上下碗 CUPS	碳鋼 STEEL	142-4/5	2	Ø44 <sup>+0.15</sup> <sub>0</sub>
7	塑膠防塵蓋 DUST-RESISTANT COVER	塑膠 NYLON	115-2A	1	
8	下塞 CROWN RACE	碳鋼 STEEL	841-6	1	Ø30 <sup>+0.1</sup> <sub>0</sub>

# H129



WEIGHT	155g
SIZE	1-1/8" Semi-Integrated Threaded Headset
DIMENSIONS	Ø25.4 x 44/50 x 30



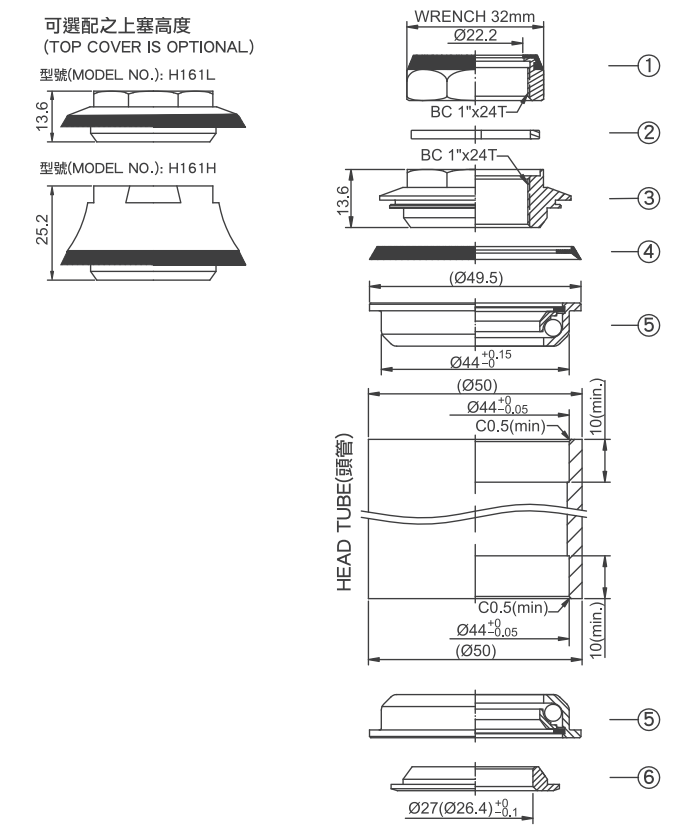
堆積高度 (STACK HEIGHT) = 23.5 ± 1 mm

NO.	零件名稱 PART NAME	材質 MATERIAL	圖號 DRAWING NO.	台量 Q.TY	尺寸 DIM.DESCRPTION
1	防水上迫緊 LOCK NUT WITH SEAL	碳鋼 STEEL	841SW-1	1	BC 1-1/8"x26T
2	有領華司 KEY WASHER	碳鋼 STEEL	SK3402	1	1-1/8"
3	上塞 ADJUSTING CONE	碳鋼 STEEL	129-3	1	BC 1-1/8"x26T
4	防水圈 RUBBER SEAL	橡膠 NBR	841SW-9	2	
5	珠巢 BALL RETAINER	碳鋼 STEEL		2	5/32"x22
6	上下碗 CUPS	碳鋼 STEEL	129-4/5	2	Ø44 <sup>+0.15</sup> <sub>0</sub>
7	下塞 CROWN RACE	碳鋼 STEEL	841-6	1	Ø30 <sup>+0.1</sup> <sub>0</sub>

# H161L [H161H]



WEIGHT	H161L: 127g, H161H: 150g
SIZE	1" Semi-Integrated Threaded Headset
DIMENSIONS	Ø22.2x44/50x27(26.4)



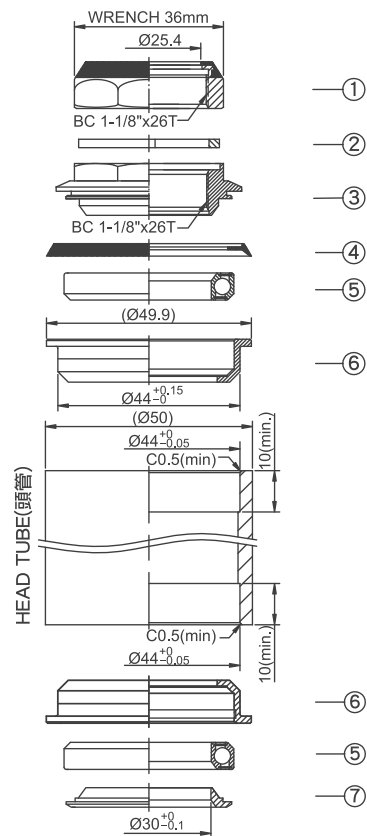
堆積高度 (STACK HEIGHT) = 23.7 ± 1 mm

NO.	零件名稱 PART NAME	材質 MATERIAL	圖號 DRAWING NO.	台量 Q.TY	尺寸 DIM.DESCRPTION
1	防水上迫緊 LOCK NUT WITH SEAL	鋁合金 ALLOY	807W-1	1	BC 1"x24T
2	有領華司 KEY WASHER	碳鋼 STEEL	SK3002	1	1"
3	鋁上塞 ADJUSTING CONE	鋁合金 ALLOY	108-3	1	BC 1"x24T
4	防塵蓋 DUST-RESISTANT COVER	橡膠 NBR	118-8	1	
5	半卡式碗 SEMI-CARTRIDGE STEEL CUPS	碳鋼 STEEL	148-4/5	2	Ø44 <sup>+0.15</sup> <sub>0</sub>
6	下塞 CROWN RACE	碳鋼 STEEL	124-6	1	Ø27(Ø26.4) <sup>+0.1</sup> <sub>0</sub>

# H168



WEIGHT	100g
SIZE	1-1/8" Semi-Integrated Threaded Headset
DIMENSIONS	Ø25.4 x 44/50 x 30



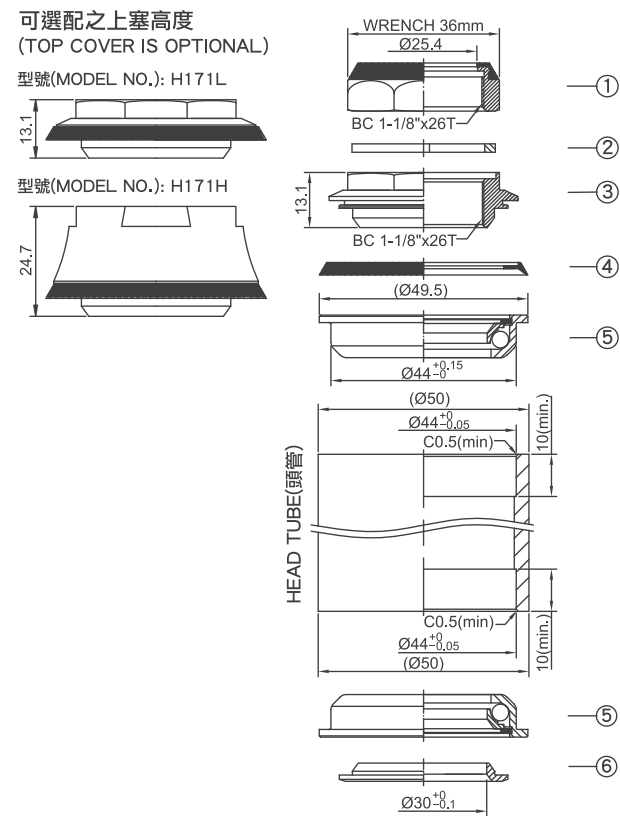
堆積高度 (STACK HEIGHT) = 23.6 ± 1 mm

NO.	零件名稱 PART NAME	材質 MATERIAL	圖號 DRAWING NO.	台量 Q.TY	尺寸 DIM.DESCRPTION
1	防水上迫緊 LOCK NUT WITH SEAL	鋁合金 ALLOY	815W-1	1	BC 1-1/8"x26T
2	有領華司 KEY WASHER	碳鋼 STEEL	SK3402	1	1-1/8"
3	鋁上塞 ADJUSTING CONE	鋁合金 ALLOY	168-3	1	BC 1-1/8"x26T
4	防塵塞 DUST-RESISTANT COVER	橡膠 NBR	118-8	1	
5	密封式軸承 A.C. SEALED BEARING	軸承鋼 SUJ2	NHB-5D	2	OD41x36°x45°
6	鋁碗 CUPS	鋁合金 ALLOY	146-4/5	2	Ø44+0.15 -0
7	鋁下塞 CROWN RACE	鋁合金 ALLOY	123-6	1	Ø30+0.1 -0.1

# H171L [H171H]



WEIGHT	H171L: 136g, H171H: 151g
SIZE	1-1/8" Semi-Integrated Threaded Headset
DIMENSIONS	Ø25.4 x 44/50 x 30



可選配之上塞高度  
(TOP COVER IS OPTIONAL)

型號(MODEL NO.): H171L

型號(MODEL NO.): H171H

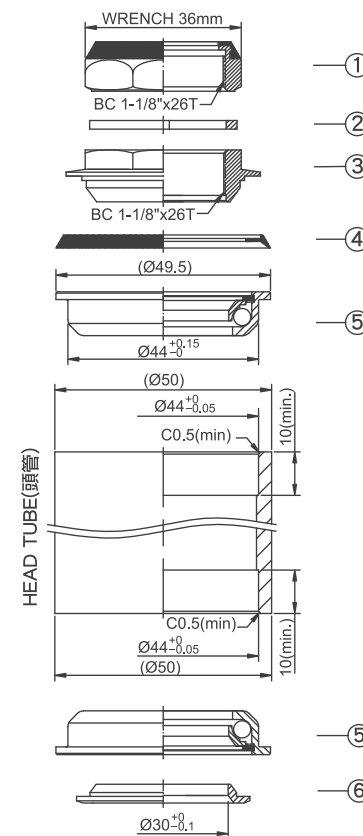
堆積高度 (STACK HEIGHT) = 23.7 ± 1 mm

NO.	零件名稱 PART NAME	材質 MATERIAL	圖號 DRAWING NO.	台量 Q.TY	尺寸 DIM.DESCRPTION
1	鋁防水上迫緊 LOCK NUT	鋁合金 6061/T6	815-1	1	BC 1-1/8"x26T
2	有領華司 KEY WASHER	碳鋼 STEEL	SK3402	1	1-1/8"
3	鋁上塞 ADJUSTING CONE	鋁合金 6061/T6	118-3	1	BC 1-1/8"x26T
4	防塵蓋 DUST-RESISTANT COVER	塑膠 NBR	118-8	1	
5	半卡式碗 SEMI-CARTRIDGE STEEL CUPS	碳鋼 STEEL	148-4/5	2	Ø44+0.15 -0
6	下塞 CROWN RACE	碳鋼 STEEL	146-6	1	Ø30+0.1 -0.1

# H175



WEIGHT	159g
SIZE	1-1/8" Semi-Integrated Threaded Headset
DIMENSIONS	Ø25.4x44/50x30



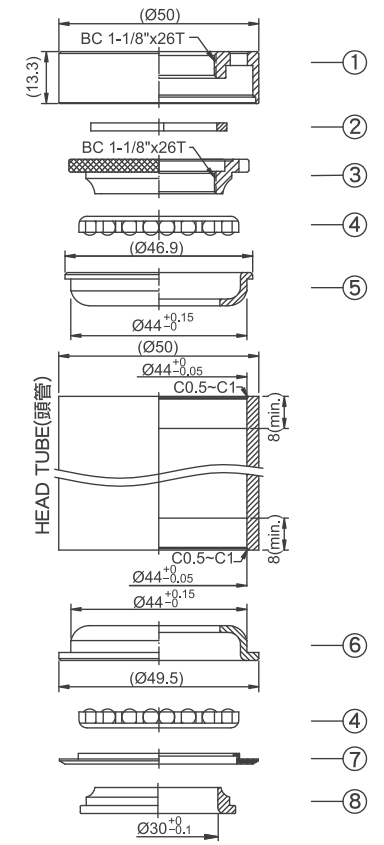
堆積高度 (STACK HEIGHT) = 24.2 ± 1 mm

NO.	零件名稱 PART NAME	材質 MATERIAL	圖號 DRAWING NO.	台量 Q.TY	尺寸 DIM.DESCRPTION
1	防水上迫緊 LOCK NUT WITH SEAL	碳鋼 STEEL	841SW-1	1	BC 1-1/8"x26T
2	有領華司 KEY WASHER	碳鋼 STEEL	SK3402	1	1-1/8"
3	上塞 ADJUSTING CONE	碳鋼 STEEL	175-3	1	BC 1-1/8"x26T
4	防塵塞 DUST-RESISTANT COVER	橡膠 NBR	118-8	1	
5	半卡式碗 SEMI-CARTRIDGE STEEL CUPS	碳鋼 STEEL	148-4/5	2	Ø44+0.15 -0
6	下塞 CROWN RACE	碳鋼 STEEL	146-6	1	Ø30+0.1 -0.1

# H184



WEIGHT	130g
SIZE	1-1/8" Semi-Integrated Threaded Headset
DIMENSIONS	Ø25.4x44/50x30



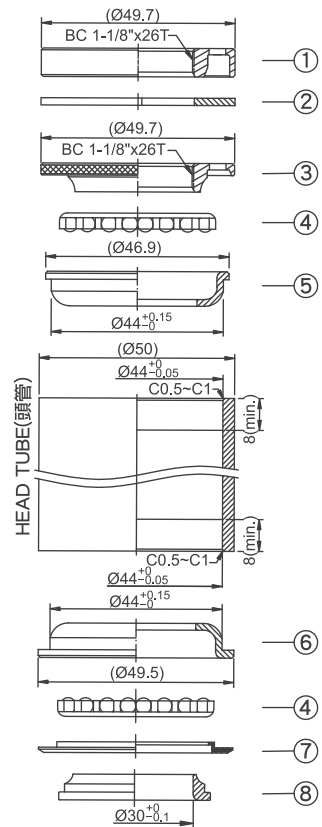
堆積高度 (STACK HEIGHT) = 18 ± 1 mm

NO.	零件名稱 PART NAME	材質 MATERIAL	圖號 DRAWING NO.	台量 Q.TY	尺寸 DIM.DESCRPTION
1	鋁上迫緊 LOCK NUT	鋁合金 ALLOY	184-1	1	BC 1-1/8"x26T
2	有領華司 KEY WASHER	碳鋼 STEEL	SK3402	1	1-1/8"
3	上塞 ADJUSTING CONE	碳鋼 STEEL	184-3	1	BC 1-1/8"x26T
4	珠巢 BALL RETAINER	碳鋼 STEEL		2	5/32"x22
5	上碗 UPPER CUP	碳鋼 STEEL	184-4	1	Ø44+0.15 -0
6	下碗 LOWER CUP	碳鋼 STEEL	142-4/5	1	Ø44+0.15 -0
7	塑膠防塵蓋 DUST-RESISTANT COVER	塑膠 NYLON	115-2A	1	
8	下塞 CROWN RACE	碳鋼 STEEL	841-6	1	Ø30+0.1 -0.1

# H186

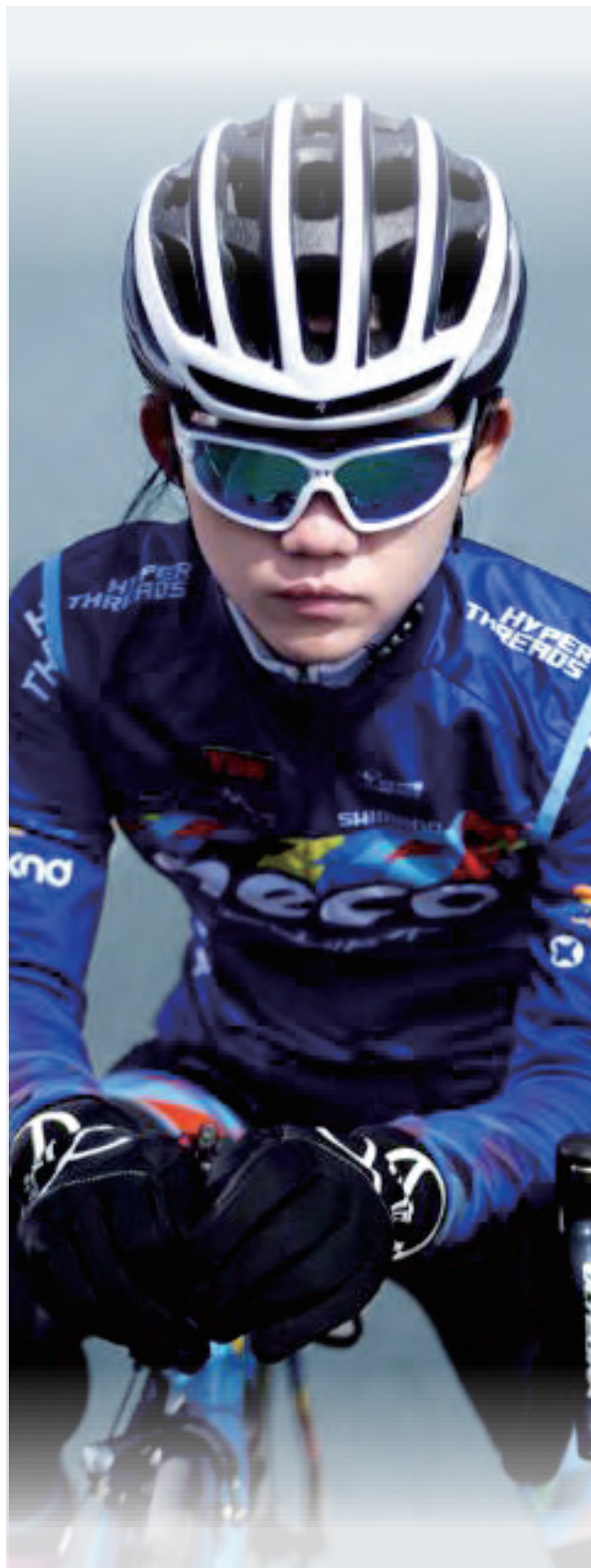


WEIGHT	130g
SIZE	1-1/8" Semi-Integrated Threaded Headset
DIMENSIONS	Ø25.4x44/50x30



堆積高度 (STACK HEIGHT) = 17.7 ± 1 mm

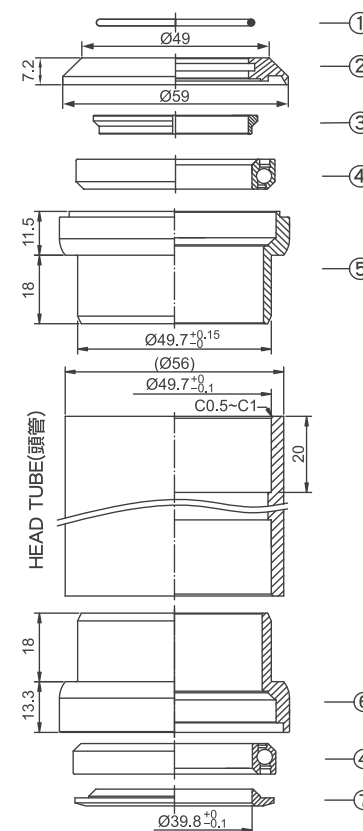
NO.	零件名稱 PART NAME	材質 MATERIAL	圖號 DRAWING NO.	台量 Q'TY	尺寸 DIM.DESCRPTION
1	上迫緊 LOCK NUT	碳鋼 STEEL	842-2-1	1	BC 1-1/8"x26T
2	有鎖華司 KEY WASHER	碳鋼 STEEL	842-2-2	1	2xOD49.6
3	上塞 ADJUSTING CONE	碳鋼 STEEL	186-3	1	BC 1-1/8"x26T
4	珠巢 BALL RETAINER	碳鋼 STEEL		2	5/32"x22
5	上碗 UPPER CUP	碳鋼 STEEL	184-4	1	Ø44 <sup>+0.15</sup> <sub>-0</sub>
6	下碗 LOWER CUP	碳鋼 STEEL	142-4/5	1	Ø44 <sup>+0.15</sup> <sub>-0</sub>
7	塑膠防塵蓋 DUST-RESISTANT COVER	塑膠 NYLON	115-2A	1	
8	下塞 CROWN RACE	碳鋼 STEEL	841-6	1	Ø30 <sup>+0</sup> <sub>-0.1</sub>



# H151BW [1.5"]



1.5" OVERSIZE HEADSET SEALED BEARING LIGHT ALLOY	
WEIGHT	175.5g
SIZE	1-1/2" Threadless Headset
SHIS NORM	EC49.7/38.1   EC49.7/39.8



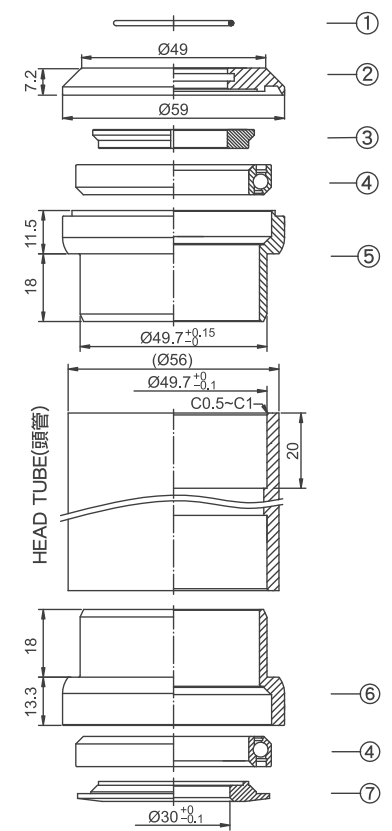
堆積高度 (STACK HEIGHT) = 32 ± 1 mm

NO.	零件名稱 PART NAME	材質 MATERIAL	圖號 DRAWING NO.	台量 Q'TY	尺寸 DIM.DESCRPTION
1	O形圈 O-Ring	橡膠 NBR	151-8	1	ID37.82xØ1.78
2	鋁上塞 TOP COVER	鋁合金 ALLOY	151-3	1	1.5"
3	鋁斜管 COMPRESSION RING	鋁合金 ALLOY	151-2	1	1.5"
4	特大型密封式軸承 OVERSIZE A.C. SEALED BEARING	軸承鋼 SUJ2	NHB-15	2	OD52x45°x45°
5	上碗 UPPER CUP	鋁合金 ALLOY	151-4	1	Ø49.7 <sup>+0.15</sup> <sub>-0</sub>
6	下碗 LOWER CUP	鋁合金 ALLOY	151-5	1	Ø49.7 <sup>+0.15</sup> <sub>-0</sub>
7	鋁下塞 CROWN RACE	鋁合金 ALLOY	151-6	1	Ø39.8 <sup>+0</sup> <sub>-0.1</sub>

# H153BW



1.5" REDUCED TO 1-1/8" SEALED BEARING LIGHT ALLOY	
WEIGHT	194g
SIZE	1-1/8" Threadless Headset
SHIS NORM	EC49.7/28.6   EC49.7/30



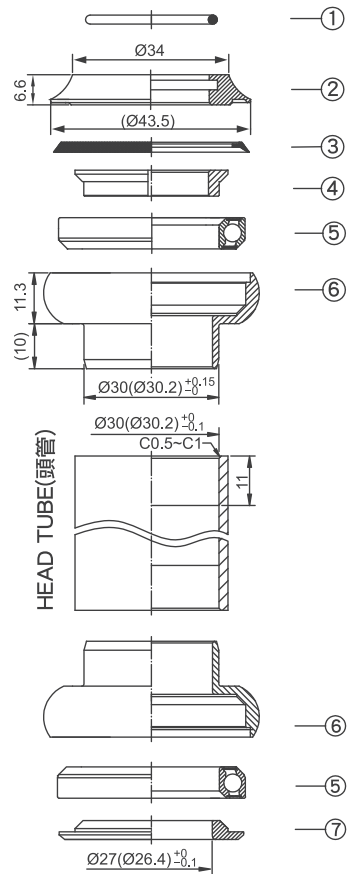
堆積高度 (STACK HEIGHT) = 32 ± 1 mm

NO.	零件名稱 PART NAME	材質 MATERIAL	圖號 DRAWING NO.	台量 Q'TY	尺寸 DIM.DESCRPTION
1	O形圈 O-Ring	橡膠 NBR	120-8	1	ID28.5xØ2
2	鋁上塞 TOP COVER	鋁合金 ALLOY	153-3	1	1-1/8"
3	鋁斜管 COMPRESSION RING	鋁合金 ALLOY	153-2	1	1-1/8"
4	特大型密封式軸承 OVERSIZE A.C. SEALED BEARING	軸承鋼 SUJ2	NHB-15	2	OD52x45°x45°
5	上碗 UPPER CUP	鋁合金 ALLOY	151-4	1	Ø49.7 <sup>+0.15</sup> <sub>-0</sub>
6	下碗 LOWER CUP	鋁合金 ALLOY	151-5	1	Ø49.7 <sup>+0.15</sup> <sub>-0</sub>
7	鋁下塞 CROWN RACE	鋁合金 ALLOY	153-6	1	Ø30 <sup>+0</sup> <sub>-0.1</sub>

# H252



WEIGHT	98.6g
SIZE	1" Threadless Headset
SHIS NORM	EC30/25.4   EC30/27(26.4)



堆積高度 (STACK HEIGHT) = 29 ± 1 mm

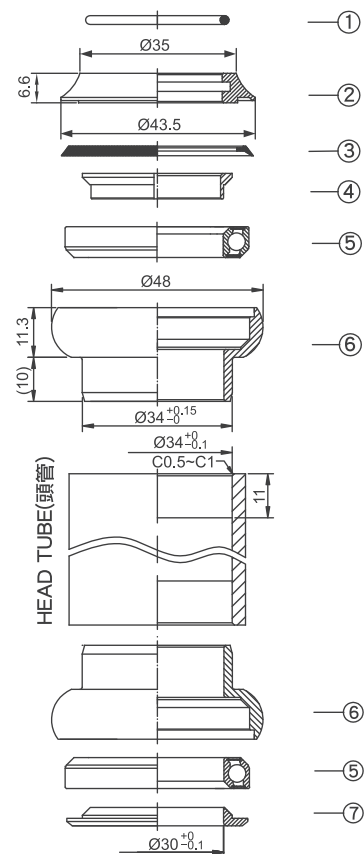
NO.	零件名稱 PART NAME	材質 MATERIAL	圖號 DRAWING NO.	台量 Q.TY	尺寸 DIM.DESCRPTION
1	O形圈 O-Ring	橡膠 NBR	121-8	1	ID25.3xØ2
2	鋁上塞 TOP COVER	鋁合金 ALLOY	252-3	1	1"
3	防塵塞 DUST-RESISTANT COVER	塑膠 PE	365-8	1	
4	鋁斜管 COMPRESSION RING	鋁合金 ALLOY	05-2	1	1"
5	密封式軸承 A.C. SEALED BEARING	軸承鋼 SUJ2	NHB-6B	2	OD41.8x45°x45°
6	碗 CUPS	鋁合金 ALLOY	252-4/5	2	Ø30(Ø30.2) <sup>+0.15</sup> <sub>-0.1</sub>
7	鋁下塞 CROWN RACE	鋁合金 ALLOY	05-6	1	Ø27(Ø26.4) <sup>+0</sup> <sub>-0.1</sub>

# H282



OPTIONAL H282O

WEIGHT	95g
SIZE	1-1/8" Threadless Headset
SHIS NORM	EC34/28.6   EC34/30
OPTIONAL	H282O:EC34/28.6   EC34/30 Height:27 ± 1mm



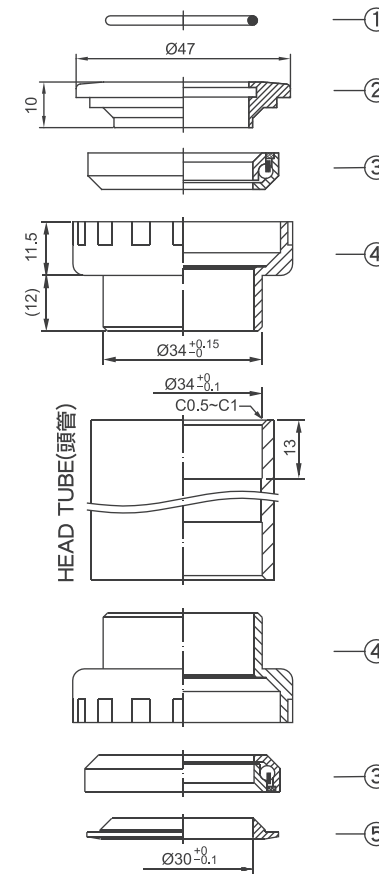
堆積高度 (STACK HEIGHT) = 29 ± 1 mm

NO.	零件名稱 PART NAME	材質 MATERIAL	圖號 DRAWING NO.	台量 Q.TY	尺寸 DIM.DESCRPTION
1	O形圈 O-Ring	橡膠 NBR	120-8	1	ID28.5xØ2
2	鋁上塞 TOP COVER	鋁合金 ALLOY	282-3	1	1-1/8"
3	防塵塞 DUST-RESISTANT COVER	塑膠 PE	365-8	1	
4	鋁斜管 COMPRESSION RING	鋁合金 ALLOY	51-2	1	1-1/8"
5	密封式軸承 A.C. SEALED BEARING	軸承鋼 SUJ2	NHB-6B	2	OD41.8x45°x45°
6	碗 CUPS	鋁合金 ALLOY	282-4/5	2	Ø34 <sup>+0.15</sup> <sub>-0.1</sub>
7	鋁下塞 CROWN RACE	鋁合金 ALLOY	51-6	1	Ø30 <sup>+0</sup> <sub>-0.1</sub>

# H370



WEIGHT	115g
SIZE	1-1/8" Threadless Headset
SHIS NORM	EC34/28.6   EC34/30



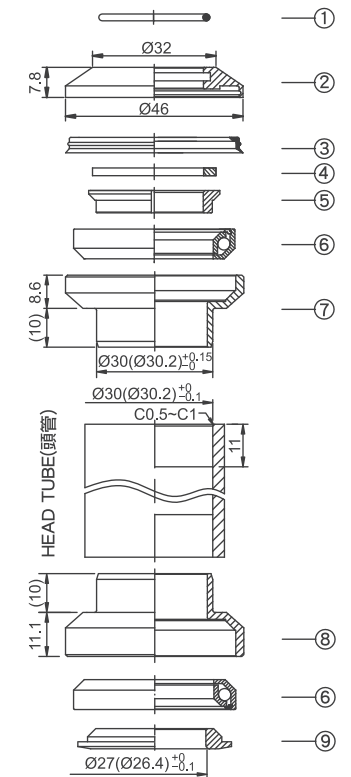
堆積高度 (STACK HEIGHT) = 28.3 ± 1 mm

NO.	零件名稱 PART NAME	材質 MATERIAL	圖號 DRAWING NO.	台量 Q.TY	尺寸 DIM.DESCRPTION
1	O形圈 O-Ring	橡膠 NBR	120-8	1	ID28.5xØ2
2	上塞 TOP COVER	鋁合金 ALLOY	370-3	1	1-1/8"
3	密封式軸承 A.C. SEALED BEARING	軸承鋼 SUJ2	NHB-6D	2	OD41.8x45°x45°
4	鋁碗 CUPS	鋁合金 ALLOY	370-4/5	2	Ø34 <sup>+0.15</sup> <sub>-0.1</sub>
5	鋁下塞 CROWN RACE	鋁合金 ALLOY	370-6	1	Ø30 <sup>+0</sup> <sub>-0.1</sub>

# H610



WEIGHT	104g
SIZE	1" Threadless Headset
SHIS NORM	EC30/25.4   EC30/27(26.4)



堆積高度 (STACK HEIGHT) = 29 ± 1 mm

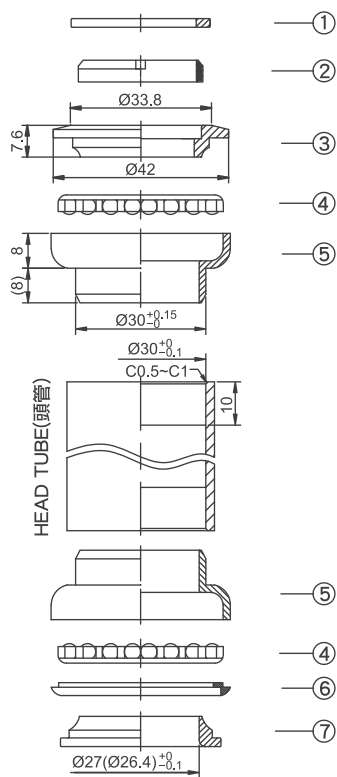
NO.	零件名稱 PART NAME	材質 MATERIAL	圖號 DRAWING NO.	台量 Q.TY	尺寸 DIM.DESCRPTION
1	O形圈 O-Ring	橡膠 NBR	121-8	1	ID25.3xØ2
2	鋁上塞 TOP COVER	鋁合金 ALLOY	05-3	1	1"
3	防塵塞 DUST-RESISTANT COVER	橡膠 NBR	273-0	1	
4	中圈華司 ALLOY SPACER	鋁合金 ALLOY	AS3202	1	2xOD32
5	鋁斜管 COMPRESSION RING	鋁合金 ALLOY	05-2	1	1"
6	卡式軸承 CARTRIDGE BALL BEARING	鉻鉬鋼 CR-MO STEEL	CBB-418	2	OD41.8x45°x45°
7	鋁上碗 UPPER CUP	鋁合金 ALLOY	610-4	1	Ø30(Ø30.2) <sup>+0.15</sup> <sub>-0.1</sub>
8	鋁下碗 LOWER CUP	鋁合金 ALLOY	610-5	1	Ø30(Ø30.2) <sup>+0.15</sup> <sub>-0.1</sub>
9	下塞 CROWN RACE	碳鋼 STEEL	671-6	1	Ø27(Ø26.4) <sup>+0</sup> <sub>-0.1</sub>



# H626



WEIGHT	103.1g
SIZE	1" Threadless Headset
SHIS NORM	EC30/25.4   EC30/27(26.4)



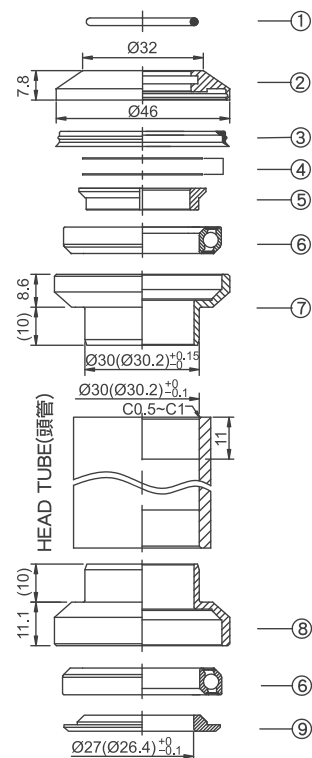
堆積高度 (STACK HEIGHT) = 24.5 ± 1 mm

NO.	零件名稱 PART NAME	材質 MATERIAL	圖號 DRAWING NO.	台量 Q.TY	尺寸 DIM.DESCRPTION
1	墊片 SPACER	碳鋼 STEEL	SD3203	1	2xOD32(1")
2	固定圈 COMPRESSING RING	橡膠 NBR	820-2	1	1"
3	上塞 TOP COVER	碳鋼 STEEL	626-3	1	1"
4	珠巢 BALL RETAINER	碳鋼 STEEL		2	5/32"x16
5	碗 CUPS	碳鋼 STEEL	820-5	2	Ø30(Ø30.2) <sup>+0.15</sup> <sub>-0</sub>
6	防水圈 DUST-RESISTANT COVER	塑膠 NYLON	831SW-8	1	
7	下塞 CROWN RACE	碳鋼 STEEL	800-6	1	Ø27(Ø26.4) <sup>+0</sup> <sub>-0.1</sub>

# H673



WEIGHT	92g
SIZE	1" Threadless Headset
SHIS NORM	EC30/25.4   EC30/27(26.4)



堆積高度 (STACK HEIGHT) = 29.5 ± 1 mm

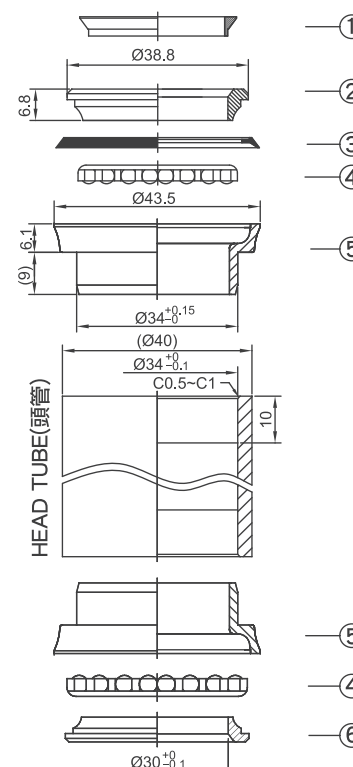
NO.	零件名稱 PART NAME	材質 MATERIAL	圖號 DRAWING NO.	台量 Q.TY	尺寸 DIM.DESCRPTION
1	O形圈 O-Ring	橡膠 NBR	121-8	1	ID25.3xØ2
2	鋁上塞 TOP COVER	鋁合金 ALLOY	05-3	1	1"
3	防塵塞 DUST-RESISTANT COVER	橡膠 NBR	273-0	1	
4	墊片 MIRCO SPACER	不銹鋼 SUS304		2	0.3t
5	鋁斜管 COMPRESSING RING	鋁合金 ALLOY	05-2	1	1"
6	密封式軸承 A.C. SEALED BEARING	軸承鋼 SUJ2	NHB-6B	2	OD41.8x45°x45°
7	鋁上碗 UPPER CUP	鋁合金 ALLOY	610-4	1	Ø30(Ø30.2) <sup>+0.15</sup> <sub>0</sub>
8	鋁下碗 LOWER CUP	鋁合金 ALLOY	610-5	1	Ø30(Ø30.2) <sup>+0.15</sup> <sub>0</sub>
9	鋁下塞 CROWN RACE	鋁合金 ALLOY	05-6	1	Ø27(Ø26.4) <sup>+0</sup> <sub>-0.1</sub>

# H701



Smart design that gives an integrated style-like look

WEIGHT	92g
SIZE	1-1/8" Threadless Headset
SHIS NORM	EC34/28.6   EC34/30



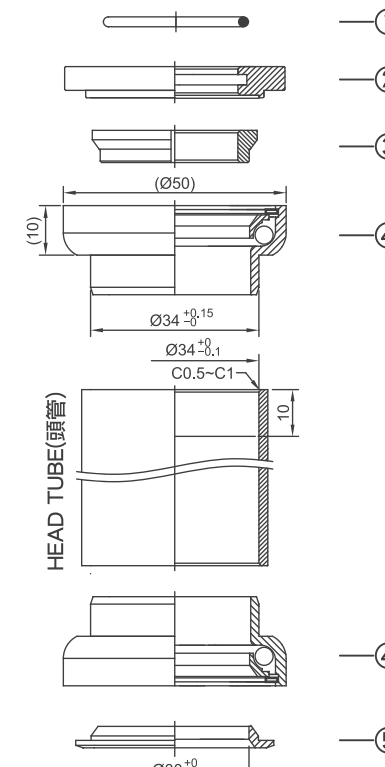
堆積高度 (STACK HEIGHT) = 20 ± 1 mm

NO.	零件名稱 PART NAME	材質 MATERIAL	圖號 DRAWING NO.	台量 Q.TY	尺寸 DIM.DESCRPTION
1	塑膠斜管 COMPRESSING RING	塑膠 NYLON	701-2	1	1-1/8"
2	上塞 TOP COVER	碳鋼 STEEL	703-3	1	1-1/8"
3	防塵塞 DUST-RESISTANT COVER	塑膠 NYLON	701-8	1	
4	珠巢 BALL RETAINER	碳鋼 STEEL		2	1/8"x25
5	碗 CUPS	碳鋼 STEEL	701-4/5	2	Ø34 <sup>+0.15</sup> <sub>0</sub>
6	下塞 CROWN RACE	碳鋼 STEEL	701-6	1	Ø30 <sup>+0</sup> <sub>-0.1</sub>

# H705PS



WEIGHT	120g
SIZE	1-1/8" Reduced To 1" Threadless Steerer
SHIS NORM	EC34/25.4   EC34/30



堆積高度 (STACK HEIGHT) = 28.3 ± 1 mm

NO.	零件名稱 PART NAME	材質 MATERIAL	圖號 DRAWING NO.	台量 Q.TY	尺寸 DIM.DESCRPTION
1	O形圈 O-Ring	橡膠 NBR	121-8	1	ID25.3xØ2
2	上塞 TOP COVER	鋁 ALLOY	705PS-3	1	1"
3	鋁斜管 COMPRESSING RING	鋁合金 ALLOY	610-2	1	1"
4	卡式碗 SEMI-CARTRIDGE CUPS	碳鋼 STEEL	705-4/5	2	Ø34 <sup>+0.15</sup> <sub>0</sub>
5	下塞 CROWN RACE	碳鋼 STEEL	146-6	1	Ø30 <sup>+0</sup> <sub>-0.1</sub>

# H706 [H706M]

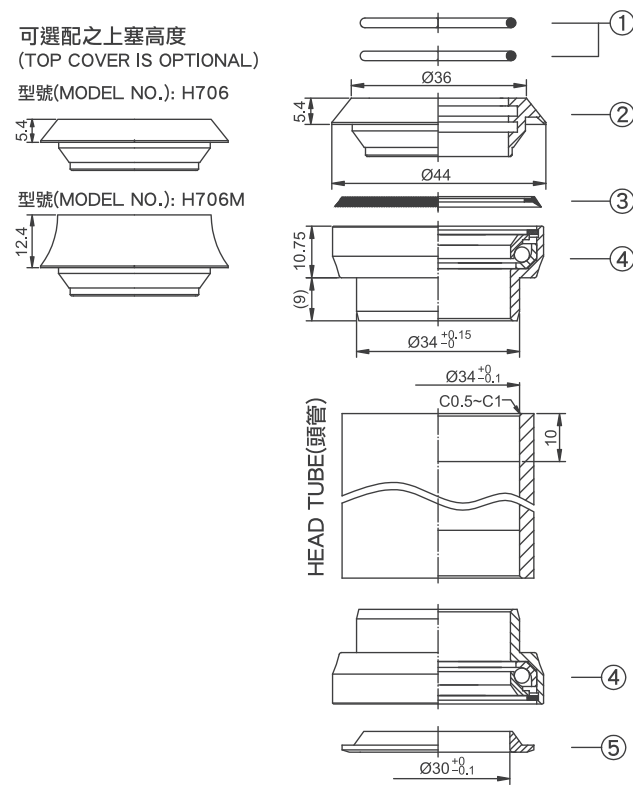


Smart design that gives an integrated style-like look

WEIGHT	95g
SIZE	1-1/8" Threadless Headset
SHIS NORM	EC34/28.6   EC34/30
OPTIONAL	H706M EC34/28.6   EC34/30 HEIGHT:35.6±1mm

可選配之上塞高度  
(TOP COVER IS OPTIONAL)  
型號(MODEL NO.): H706

型號(MODEL NO.): H706M



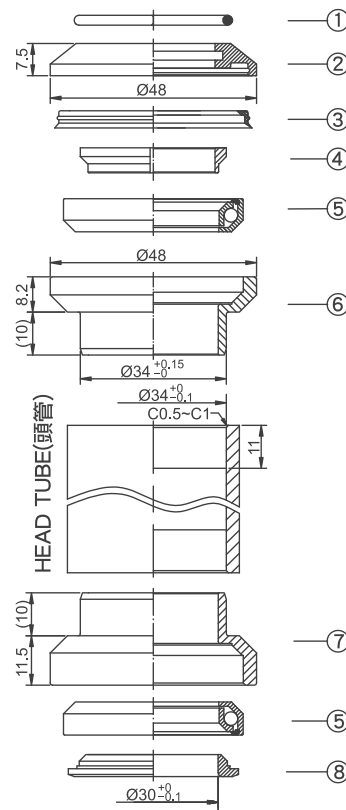
堆積高度 (STACK HEIGHT) = 28.6 ± 1 mm

NO.	零件名稱 PART NAME	材質 MATERIAL	圖號 DRAWING NO.	台量 Q.TY	尺寸 DIM.DESCRPTION
1	O形圈 O-Ring	橡膠 NBR	120-8	2	ID28.3xØ2
2	鋁上塞 TOP COVER	鋁合金 ALLOY	706-3	1	1-1/8"
3	防塵塞 DUST-RESISTANT COVER	塑膠 NYLON	701-8	1	
4	鋁卡式碗 SEMI-CARTRIDGE ALLOY CUPS	鋁合金 ALLOY	706-4/5	2	Ø34 <sup>+0.15</sup> <sub>-0</sub>
5	下塞 CROWN RACE	碳鋼 STEEL	146-6	1	Ø30 <sup>+0</sup> <sub>-0.1</sub>

# H711



WEIGHT	112g
SIZE	1-1/8" Threadless Headset
SHIS NORM	EC34/28.6   EC34/30



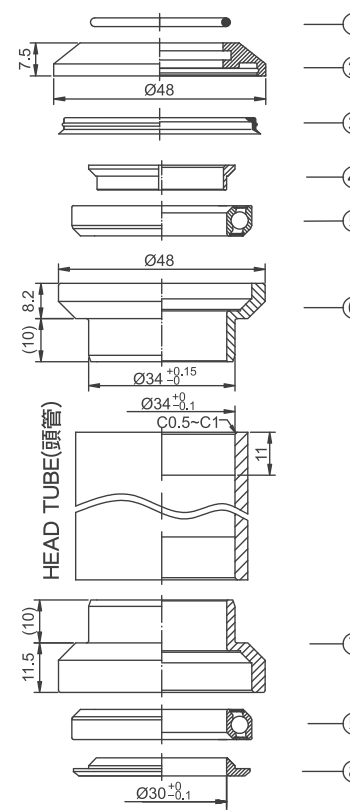
堆積高度 (STACK HEIGHT) = 29 ± 1 mm

NO.	零件名稱 PART NAME	材質 MATERIAL	圖號 DRAWING NO.	台量 Q.TY	尺寸 DIM.DESCRPTION
1	O形圈 O-Ring	橡膠 NBR	120-8	1	ID28.5xØ2
2	鋁上塞 TOP COVER	鋁合金 ALLOY	773-3	1	1-1/8"
3	防塵塞 DUST-RESISTANT COVER	橡膠 NBR	273-0	1	
4	鋁斜管 COMPRESSION RING	鋁合金 ALLOY	52-2	1	1-1/8"
5	卡式軸承 CARTRIDGE BALL BEARING	鉻鉬鋼 CR-MO STEEL	CBB-418	2	OD41.8x45°x45°
6	上碗 UPPER CUP	鋁合金 ALLOY	773-4	1	Ø34 <sup>+0.15</sup> <sub>-0</sub>
7	下碗 LOWER CUP	鋁合金 ALLOY	773-5	1	Ø34 <sup>+0.15</sup> <sub>-0</sub>
8	下塞 CROWN RACE	碳鋼 STEEL	52-6	1	Ø30 <sup>+0</sup> <sub>-0.1</sub>

# H773



WEIGHT	102g
SIZE	1-1/8" Threadless Headset
SHIS NORM	EC34/28.6   EC34/30



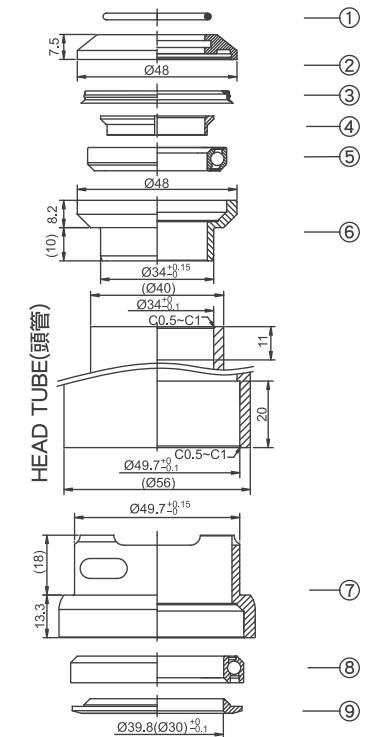
堆積高度 (STACK HEIGHT) = 29 ± 1 mm

NO.	零件名稱 PART NAME	材質 MATERIAL	圖號 DRAWING NO.	台量 Q.TY	尺寸 DIM.DESCRPTION
1	O形圈 O-Ring	橡膠 NBR	120-8	1	ID28.5xØ2
2	鋁上塞 TOP COVER	鋁合金 ALLOY	773-3	1	1-1/8"
3	防塵塞 DUST-RESISTANT COVER	橡膠 NBR	273-0	1	
4	鋁斜管 COMPRESSION RING	鋁合金 ALLOY	51-2	1	1-1/8"
5	密封式軸承 A.C. SEALED BEARING	軸承鋼 SUJ2	NHB-6B	2	OD41.8x45°x45°
6	上碗 UPPER CUP	鋁合金 ALLOY	773-4	1	Ø34 <sup>+0.15</sup> <sub>-0</sub>
7	下碗 LOWER CUP	鋁合金 ALLOY	773-5	1	Ø34 <sup>+0.15</sup> <sub>-0</sub>
8	下塞 CROWN RACE	鋁合金 ALLOY	51-6	1	Ø30 <sup>+0</sup> <sub>-0.1</sub>

# H773L



WEIGHT	151g
SIZE	1.5" Head Tube Reduced to 1-1/8"
SHIS NORM	EC34/28.6   EC49.7/39.8(30)



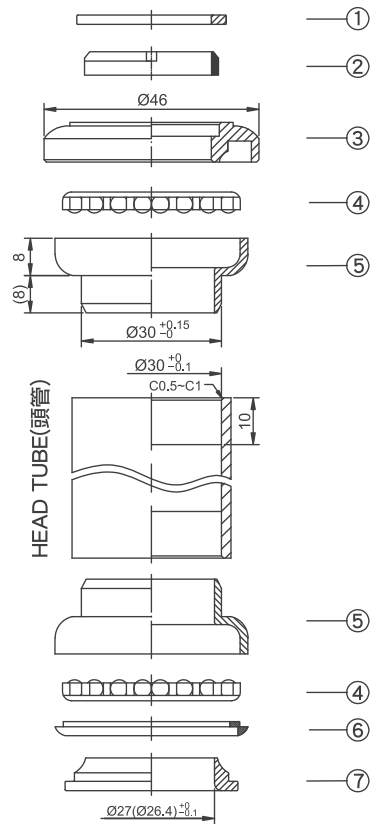
堆積高度 (STACK HEIGHT) = 30.4 ± 1 mm

NO.	零件名稱 PART NAME	材質 MATERIAL	圖號 DRAWING NO.	台量 Q.TY	尺寸 DIM.DESCRPTION
1	O形圈 O-Ring	橡膠 NBR	120-8	1	ID28.5xØ2
2	鋁上塞 TOP COVER	鋁合金 ALLOY	773-3	1	1-1/8"
3	防塵塞 DUST-RESISTANT COVER	橡膠 NBR	273-0	1	
4	鋁斜管 COMPRESSION RING	鋁合金 ALLOY	51-2	1	1-1/8"
5	密封式軸承 A.C. SEALED BEARING	軸承鋼 SUJ2	NHB-6B	1	OD41.8x45°x45°
6	上碗 UPPER CUP	鋁合金 ALLOY	773-4	1	Ø34 <sup>+0.15</sup> <sub>-0</sub>
7	下碗 LOWER CUP	鋁合金 ALLOY	151A-5	1	Ø49.7 <sup>+0.15</sup> <sub>-0</sub>
8	特大型密封式軸承 OVERSIZE A.C. SEALED BEARING	軸承鋼 SUJ2	NHB-15	1	OD52x45°x45°
9	鋁下塞 CROWN RACE	鋁合金 ALLOY	151-6 (153-6)	1	Ø39.8(Ø30) <sup>+0</sup> <sub>-0.1</sub>

# H825



WEIGHT	114g
SIZE	1" Threadless Headset
SHIS NORM	EC30/25.4   EC30/27(26.4)



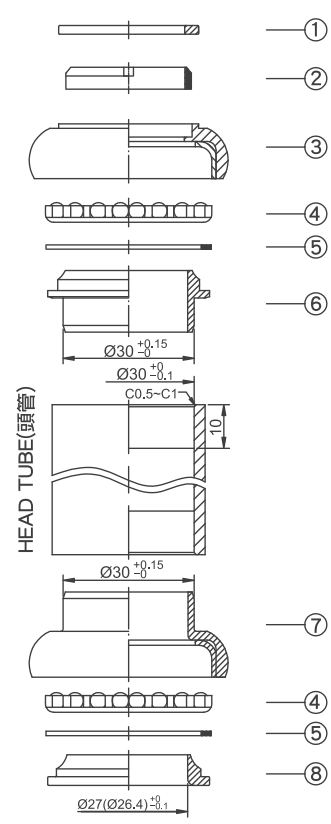
堆積高度 (STACK HEIGHT) = 25 ± 1 mm

NO.	零件名稱 PART NAME	材質 MATERIAL	圖號 DRAWING NO.	台量 Q.TY	尺寸 DIM.DESCRPTION
1	墊片 SPACER	碳鋼 STEEL	SD3202	1	2txOD32(1")
2	固定圈 COMPRESSING RING	橡膠 NBR	820-2	1	1"
3	上塞 TOP COVER	碳鋼 STEEL	825-3	1	1"
4	珠巢 BALL RETAINER	碳鋼 STEEL		2	5/32"x16
5	碗 CUPS	碳鋼 STEEL	820-5	2	Ø30 +0.15 -0
6	防塵蓋 DUST-RESISTANT COVER	塑膠 NYLON	831SW-8	1	
7	下塞 CROWN RACE	碳鋼 STEEL	800-6	1	Ø27(Ø26.4) +0 -0.1

# H827W



WEIGHT	102g
SIZE	1" Threadless Headset
SHIS NORM	EC30/25.4   EC30/27(26.4)



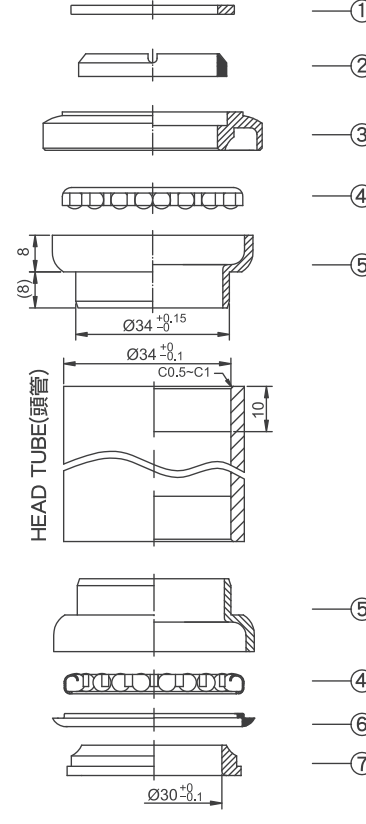
堆積高度 (STACK HEIGHT) = 28.2 ± 1 mm

NO.	零件名稱 PART NAME	材質 MATERIAL	圖號 DRAWING NO.	台量 Q.TY	尺寸 DIM.DESCRPTION
1	墊片 O-Ring	鋁合金 ALLOY	AS3202	1	2txOD32(1")
2	固定圈 TOP COVER	橡膠 NBR	820-2	1	1"
3	鋁上塞 DUST-RESISTANT COVER	鋁合金 ALLOY	827W-3	1	1"
4	珠巢 COMPRESSION RING	碳鋼 STEEL		2	5/32"x20
5	防水圈 A.C. SEALED BEARING	橡膠 NBR	807W-8	2	
6	上管塞 UPPER CUP	碳鋼 STEEL	807W-4	1	Ø30 +0.15 -0
7	鋁下碗 LOWER CUP	鋁合金 ALLOY	807W-5	1	Ø30 +0.15 -0
8	下塞 CROWN RACE	碳鋼 STEEL	807-6	1	Ø27(Ø26.4) +0 -0.1

# H845



WEIGHT	169g
SIZE	1-1/8" Threadless Headset
SHIS NORM	EC34/28.6   EC34/30



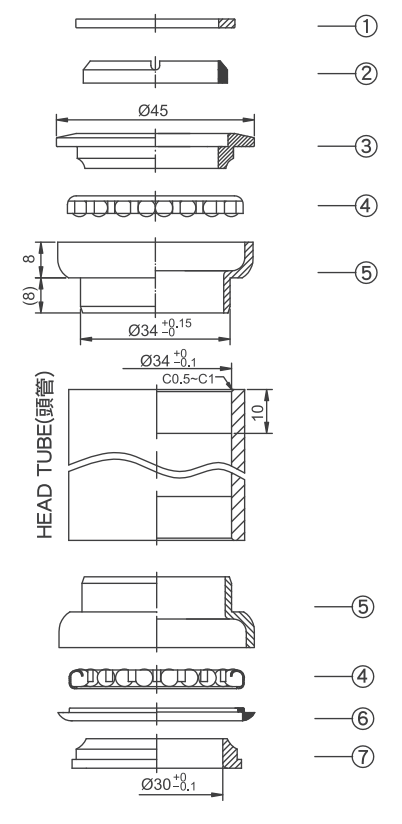
堆積高度 (STACK HEIGHT) = 26.5 ± 1 mm

NO.	零件名稱 PART NAME	材質 MATERIAL	圖號 DRAWING NO.	台量 Q.TY	尺寸 DIM.DESCRPTION
1	墊片 SPACER	碳鋼 STEEL	SD3602	1	2txOD36(1-1/8")
2	固定圈 COMPRESSING RING	橡膠 NBR	840-2	1	1-1/8"
3	上塞 TOP COVER	碳鋼 STEEL	845-3	1	1-1/8"
4	珠巢 BALL RETAINER	碳鋼 STEEL		2	5/32"x22
5	碗 CUPS	碳鋼 STEEL	841-4	2	Ø34 +0.15 -0
6	防水圈 DUST-RESISTANT COVER	塑膠 NYLON	142-8	1	
7	下塞 CROWN RACE	碳鋼 STEEL	841-6	1	Ø30 +0 -0.1

# H846



WEIGHT	144g
SIZE	1-1/8" Threadless Headset
SHIS NORM	EC34/28.6   EC34/30



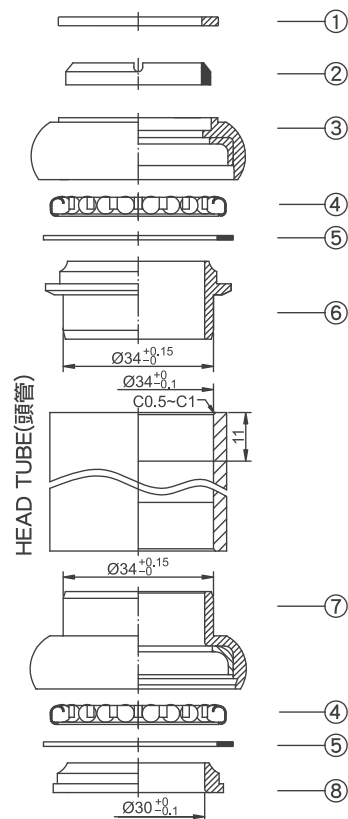
堆積高度 (STACK HEIGHT) = 25 ± 1 mm

NO.	零件名稱 PART NAME	材質 MATERIAL	圖號 DRAWING NO.	台量 Q.TY	尺寸 DIM.DESCRPTION
1	墊片 SPACER	碳鋼 STEEL	SD3602	1	2txOD36(1-1/8")
2	固定圈 COMPRESSING RING	橡膠 NBR	840-2	1	1-1/8"
3	上塞 TOP COVER	碳鋼 STEEL	846-3	1	1-1/8"
4	珠巢 BALL RETAINER	碳鋼 STEEL		2	5/32"x22
5	碗 CUPS	碳鋼 STEEL	841-4	2	Ø34 +0.15 -0
6	防水圈 DUST-RESISTANT COVER	塑膠 NYLON	142-8	1	
7	下塞 CROWN RACE	碳鋼 STEEL	841-6	1	Ø30 +0 -0.1

# H847W



WEIGHT	125g
SIZE	1-1/8" Threadless Headset
SHIS NORM	EC34/28.6   EC34/30



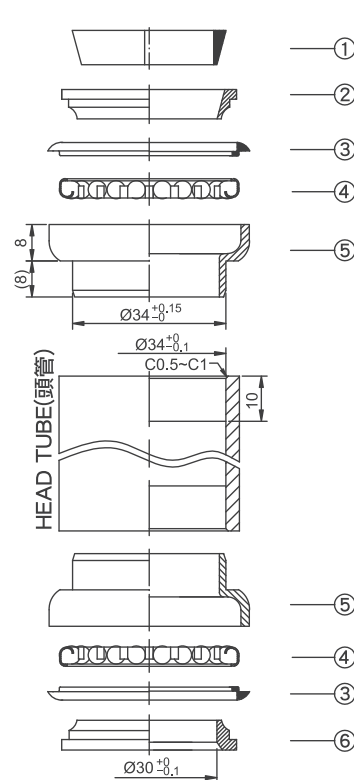
堆積高度 (STACK HEIGHT) = 31 ± 1 mm

NO.	零件名稱 PART NAME	材質 MATERIAL	圖號 DRAWING NO.	台量 QTY	尺寸 DIM. DESCRIPTION
1	墊片 SPACER	鋁合金 ALLOY	AS3602	1	2xOD32(1-1/8")
2	固定圈 COMPRESSION RING	橡膠 NBR	840-2	1	1-1/8"
3	鋁上塞 TOP COVER	鋁合金 ALLOY	847W-3	1	1-1/8"
4	珠巢 BALL RETAINER	碳鋼 STEEL		2	5/32"x22
5	防水圈 RUBBER SEAL	橡膠 NBR	815W-8	2	
6	上管塞 UPPER CONE	碳鋼 STEEL	815W-4	1	$\varnothing 34^{+0.15}$ $\varnothing 34^{+0.1}$
7	鋁下碗 LOWER CUP	鋁合金 ALLOY	815W-5	1	$\varnothing 34^{+0.15}$ $\varnothing 34^{+0.1}$
8	下塞 CROWN RACE	碳鋼 STEEL	841-6(703-6)	1	$\varnothing 30^{+0.1}$ $\varnothing 30^{+0.1}$

# H852



WEIGHT	105g
SIZE	1-1/8" Threadless Headset
SHIS NORM	EC34/28.6   EC34/30



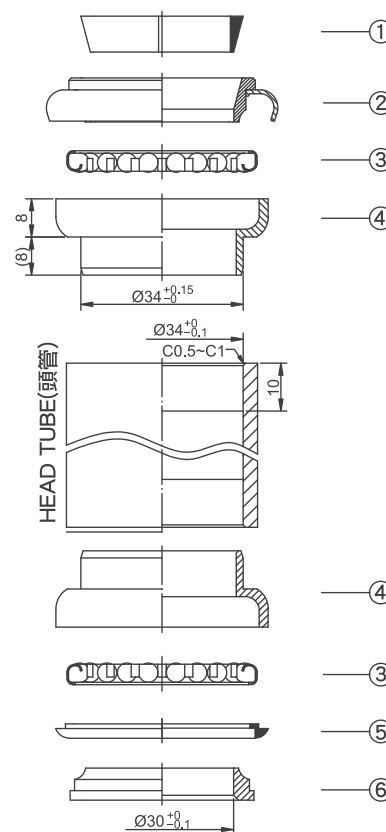
堆積高度 (STACK HEIGHT) = 22 ± 1 mm

NO.	零件名稱 PART NAME	材質 MATERIAL	圖號 DRAWING NO.	台量 QTY	尺寸 DIM. DESCRIPTION
1	塑膠斜管 COMPRESSION RING	塑膠 NYLON	115-2	1	1-1/8"
2	上塞 TOP COVER	碳鋼 STEEL	115-3	1	1-1/8"
3	防水圈 DUST-RESISTANT COVER	塑膠 NYLON	142-8	2	
4	珠巢 BALL RETAINER	碳鋼 STEEL		2	5/32"x22
5	碗 CUPS	碳鋼 STEEL	841-4	2	$\varnothing 34^{+0.15}$ $\varnothing 34^{+0.1}$
6	下塞 CROWN RACE	碳鋼 STEEL	841-6	1	$\varnothing 30^{+0.1}$ $\varnothing 30^{+0.1}$

# H854



WEIGHT	120g
SIZE	1-1/8" Threadless Headset
SHIS NORM	EC34/28.6   EC34/30



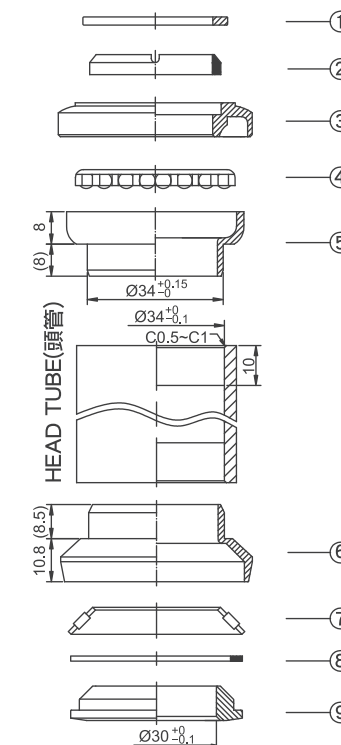
堆積高度 (STACK HEIGHT) = 25 ± 1 mm

NO.	零件名稱 PART NAME	材質 MATERIAL	圖號 DRAWING NO.	台量 QTY	尺寸 DIM. DESCRIPTION
1	塑膠斜管 COMPRESSION RING	塑膠 NYLON	115-2	1	1-1/8"
2	上塞 TOP COVER	碳鋼 STEEL	854-3	1	1-1/8"
3	珠巢 BALL RETAINER	碳鋼 STEEL		2	5/32"x22
4	碗 CUPS	碳鋼 STEEL	841-4	2	$\varnothing 34^{+0.15}$ $\varnothing 34^{+0.1}$
5	防水圈 DUST-RESISTANT COVER	塑膠 NYLON	142-8	1	
6	下塞 CROWN RACE	碳鋼 STEEL	841-6	1	$\varnothing 30^{+0.1}$ $\varnothing 30^{+0.1}$

# H855 [H826]



WEIGHT	163g
SIZE	1-1/8" Threadless Headset
SHIS NORM	EC34/28.6   EC34/30
	H826 EC30/25.4   EC30/27(26.4)
OPTIONAL	STACK HEIGHT=25.6mm



堆積高度 (STACK HEIGHT) = 28.4 ± 1 mm

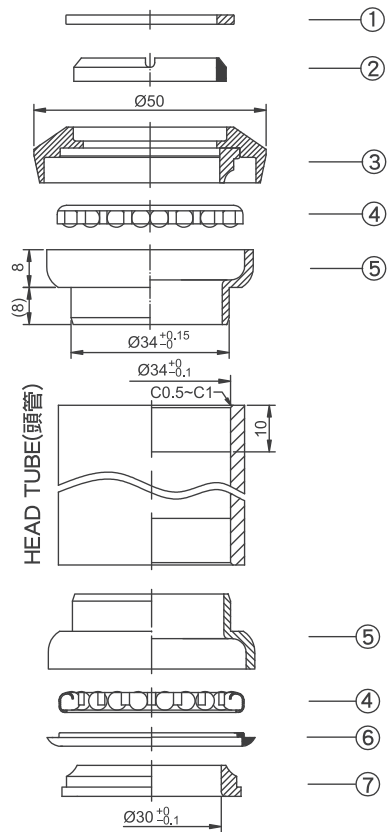
NO.	零件名稱 PART NAME	材質 MATERIAL	圖號 DRAWING NO.	台量 QTY	尺寸 DIM. DESCRIPTION
1	墊片 SPACER	碳鋼 STEEL	SD3602	1	2xOD36
2	固定圈 COMPRESSION RING	橡膠 NBR	840-2	1	1-1/8"
3	上塞 TOP COVER	碳鋼 STEEL	845-3	1	1-1/8"
4	珠巢 BALL RETAINER	碳鋼 STEEL		1	5/32"x22
5	上碗 UPPER CUP	碳鋼 STEEL	841-4	1	$\varnothing 34^{+0.15}$ $\varnothing 34^{+0.1}$
6	下碗 LOWER CUP	碳鋼 STEEL	856-5	1	$\varnothing 34^{+0.15}$ $\varnothing 34^{+0.1}$
7	條珠珠巢 NEEDLE BEARING	碳鋼 STEEL		1	$\varnothing 2.5 \times 22$
8	防水圈 RUBBER SEAL	橡膠 NBR	856-8	1	
9	下塞 CROWN RACE	碳鋼 STEEL	856-6	1	$\varnothing 30^{+0.1}$ $\varnothing 30^{+0.1}$

# H867EW

## [H236EW]



WEIGHT	127g
SIZE	1-1/8" Threadless Headset
SHIS NORM	EC34/28.6   EC34/30
	H236EW EC30/25.4   EC30/27(26.4)
OPTIONAL	STACK HEIGHT=28.2mm



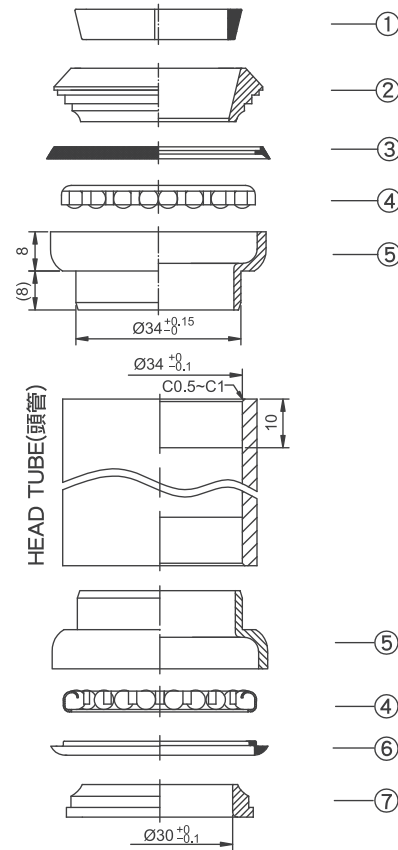
堆積高度 (STACK HEIGHT) = 28 ± 1 mm

NO.	零件名稱 PART NAME	材質 MATERIAL	圖號 DRAWING NO.	台量 QTY	尺寸 DIM.DESCRPTION
1	墊片 SPACER	鋁合金 ALLOY	AS3602	1	2xOD36(1-1/8")
2	固定圈 COMPRESSION RING	橡膠 NBR	840-2	1	1-1/8"
3	鋁上塞 TOP COVER	鋁合金 ALLOY	867W-3	1	1-1/8"
4	珠巢 BALL RETAINER	碳鋼 STEEL		2	5/32"x22
5	碗 CUPS	碳鋼 STEEL	841-4	2	Ø34 +0.15 -0
6	防水圈 DUST-RESISTANT COVER	塑膠 NYLON	142-8	1	
7	下塞 CROWN RACE	碳鋼 STEEL	841-6	1	Ø30 +0 -0.1

# H878



WEIGHT	142g
SIZE	1-1/8" Threadless Headset
SHIS NORM	EC34/28.6   EC34/30



堆積高度 (STACK HEIGHT) = 26.5 ± 1 mm

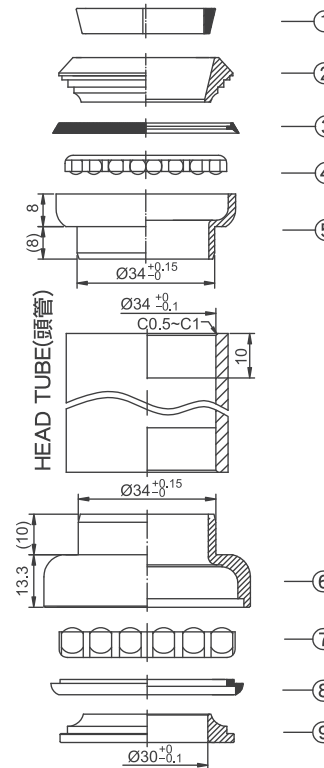
NO.	零件名稱 PART NAME	材質 MATERIAL	圖號 DRAWING NO.	台量 QTY	尺寸 DIM.DESCRPTION
1	斜管 COMPRESSION RING	鋁合金 ALLOY	872-2	1	1-1/8"
2	上塞 TOP COVER	碳鋼 NBR	878-3	1	1-1/8"
3	防塵蓋 DUST-RESISTANT COVER	塑膠 PE	141-8	1	
4	珠巢 BALL RETAINER	碳鋼 STEEL		2	5/32"x22
5	碗 CUPS	碳鋼 STEEL	841-4	2	Ø34 +0.15 -0
6	防水圈 LOWER DUST-RESISTANT COVER	塑膠 NYLON	142-8	1	
7	下塞 CROWN RACE	碳鋼 STEEL	841-6	1	Ø30 +0 -0.1

# H879



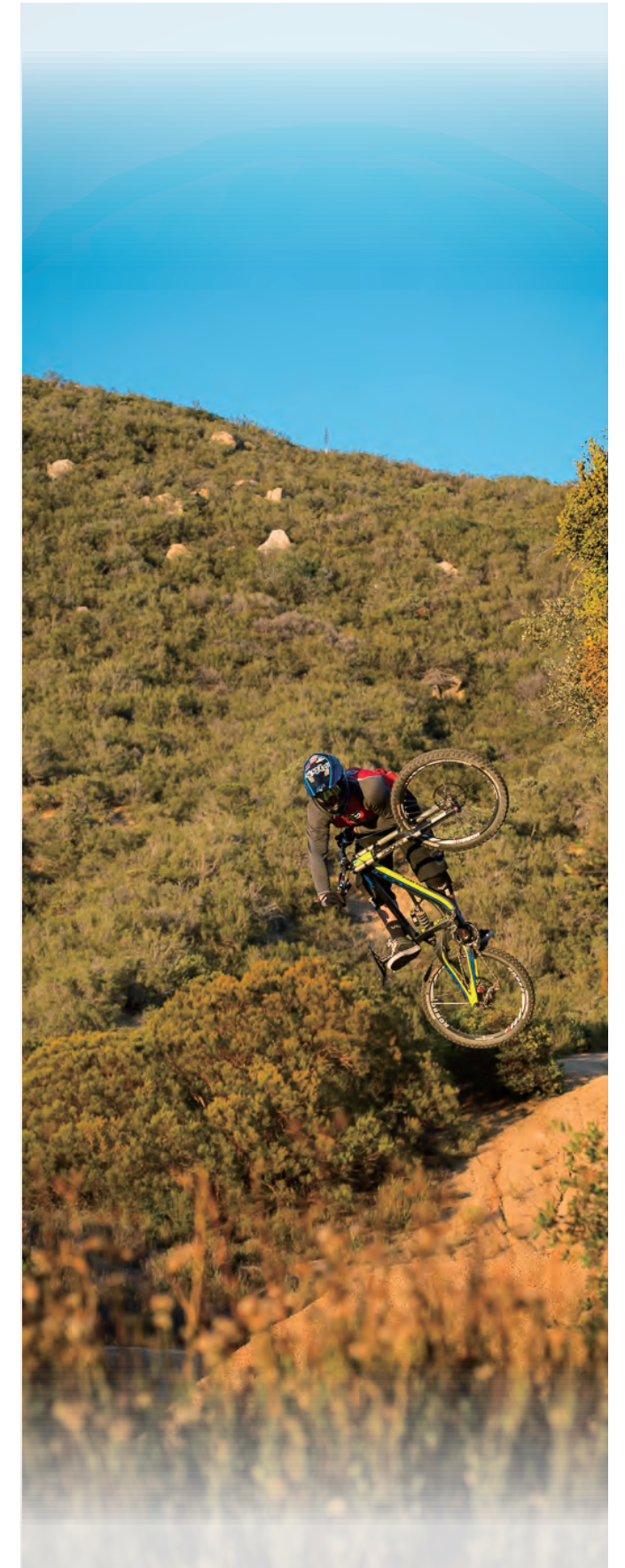
WEIGHT	180g
SIZE	1-1/8" Threadless Headset
SHIS NORM	EC34/28.6   EC34/30

BIG LOWER CUP FOR HEAVY DUTY



堆積高度 (STACK HEIGHT) = 30.4 ± 1 mm

NO.	零件名稱 PART NAME	材質 MATERIAL	圖號 DRAWING NO.	台量 QTY	尺寸 DIM.DESCRPTION
1	斜管 COMPRESSION RING	鋁合金 ALLOY	872-2	1	1-1/8"
2	上塞 TOP COVER	碳鋼 STEEL	878-3	1	1-1/8"
3	防塵蓋 DUST-RESISTANT COVER	塑膠 PE	141-8	1	
4	珠巢 BALL RETAINER	碳鋼 STEEL		1	5/32"x22
5	上碗 UPPER CUP	碳鋼 STEEL	841-4	1	Ø34 +0.15 -0
6	下碗 LOWER CUP	碳鋼 STEEL	879-5	1	Ø34 +0.15 -0
7	珠巢 BALL RETAINER	碳鋼 STEEL		1	1/4"x15B
8	防水圈 LOWER DUST-RESISTANT COVER	塑膠 NYLON	819ESW-8	1	
9	下塞 CROWN RACE	碳鋼 STEEL	879-6	1	Ø30 +0 -0.1

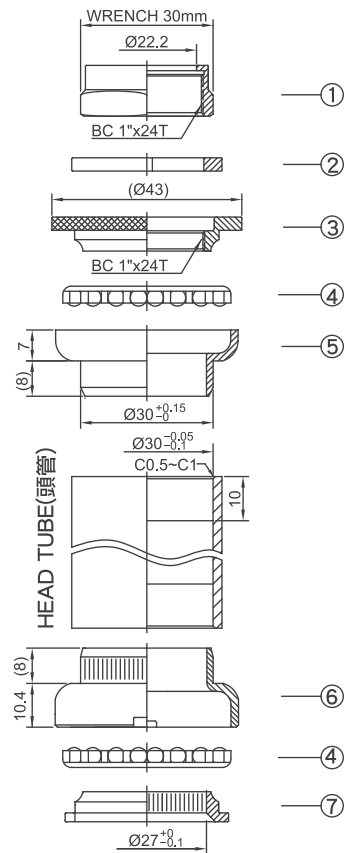


# H130

130° 1" SAFETY HEADSET



WEIGHT	127g
SIZE	1" Threaded Safety Headset
DIMENSIONS	Ø22.2x30x27



堆積高度 (STACK HEIGHT) = 34.5 ± 1 mm

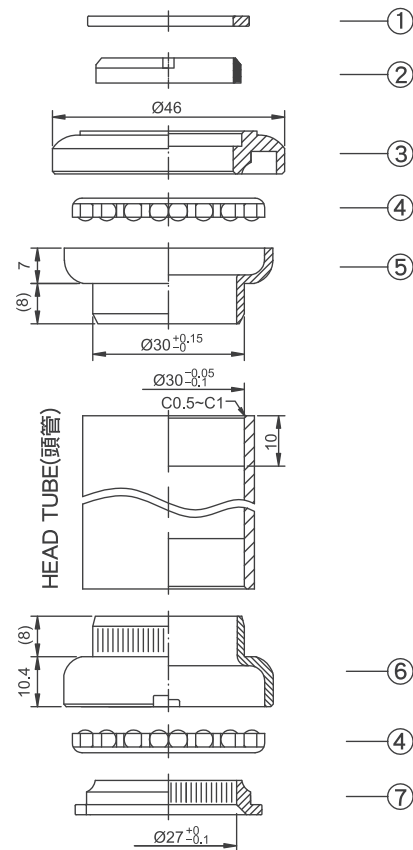
NO.	零件名稱 PART NAME	材質 MATERIAL	圖號 DRAWING NO.	台量 Q.TY	尺寸 DIM.DESCRPTION
1	上迫緊 LOCK NUT	碳鋼 STEEL	800-1	1	BC 1"x24T
2	有領華司 KEY WASHER	碳鋼 STEEL	SK3403	1	3txOD34(1")
3	上塞 ADJUSTING CONE	碳鋼 STEEL	800-3	1	BC 1"x24T
4	珠巢 BALL RETAINER	碳鋼 STEEL		2	5/32"x16
5	上碗 UPPER CUP	碳鋼 STEEL	800-4	1	Ø30 <sup>+0.15</sup> <sub>-0</sub>
6	安全下碗 LOWER SAFETY CUP	碳鋼 STEEL	130-5	1	Ø30 <sup>+0.15</sup> <sub>-0</sub>
7	安全下塞 CROWN RACE	碳鋼 STEEL	130-6	1	Ø27 <sup>+0</sup> <sub>-0.1</sub>

# H134

130° 1" SAFETY HEADSET



WEIGHT	116g
SIZE	1" Threadless Safety Headset
SHIS NORM	EC30/25.4   EC30/27



堆積高度 (STACK HEIGHT) = 25.5 ± 1 mm

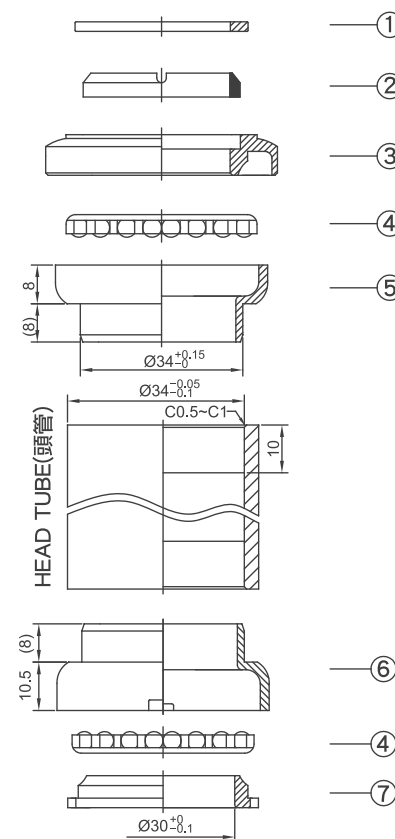
NO.	零件名稱 PART NAME	材質 MATERIAL	圖號 DRAWING NO.	台量 Q.TY	尺寸 DIM.DESCRPTION
1	墊片 SPACER	碳鋼 STEEL	SD3202	1	2txOD32(1")
2	固定圈 COMPRESSING RING	橡膠 NBR	820-2	1	1"
3	上塞 TOP CONE	碳鋼 STEEL	825-3	1	1"
4	珠巢 BALL RETAINER	碳鋼 STEEL		2	5/32"x16
5	上碗 UPPER CUP	碳鋼 STEEL	800-4	1	Ø30 <sup>+0.15</sup> <sub>-0</sub>
6	安全下碗 LOWER SAFETY CUP	碳鋼 STEEL	130-5	1	Ø30 <sup>+0.15</sup> <sub>-0</sub>
7	安全下塞 CROWN RACE	碳鋼 STEEL	130-6	1	Ø27 <sup>+0</sup> <sub>-0.1</sub>

# H135

130° 1-1/8" SAFETY HEADSET



WEIGHT	142g
SIZE	1-1/8" Threadless Safety Headset
SHIS NORM	EC34/28.6   EC34/30



堆積高度 (STACK HEIGHT) = 27.5 ± 1 mm

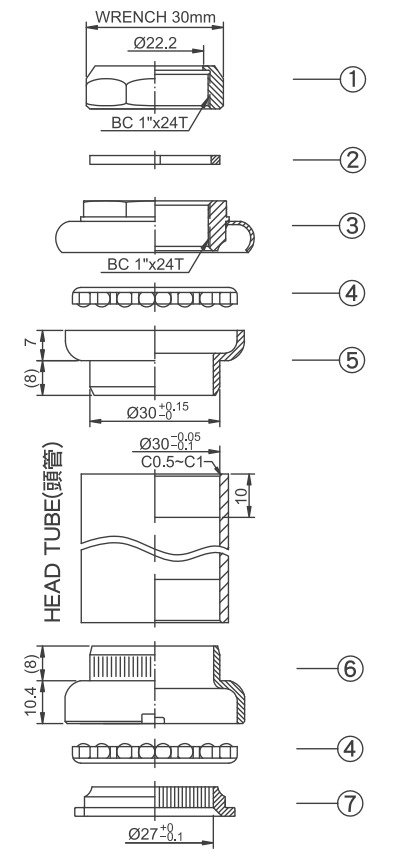
NO.	零件名稱 PART NAME	材質 MATERIAL	圖號 DRAWING NO.	台量 Q.TY	尺寸 DIM.DESCRPTION
1	墊片 SPACER	碳鋼 STEEL	SD3602	1	2txOD36(1-1/8")
2	固定圈 COMPRESSING RING	橡膠 NBR	840-2	1	1-1/8"
3	上塞 TOP CONE	碳鋼 STEEL	845-3	1	1-1/8"
4	珠巢 BALL RETAINER	碳鋼 STEEL		2	5/32"x22
5	上碗 UPPER CUP	碳鋼 STEEL	841-4	1	Ø34 <sup>+0.15</sup> <sub>-0</sub>
6	安全下碗 LOWER SAFETY CUP	碳鋼 STEEL	140-5	1	Ø34 <sup>+0.15</sup> <sub>-0</sub>
7	安全下塞 CROWN RACE	碳鋼 STEEL	140-6	1	Ø30 <sup>+0</sup> <sub>-0.1</sub>

# H139

130° 1" SAFETY HEADSET



WEIGHT	136g
SIZE	1" Threaded Safety Headset
DIMENSIONS	Ø22.2x30x27



堆積高度 (STACK HEIGHT) = 37 ± 1 mm

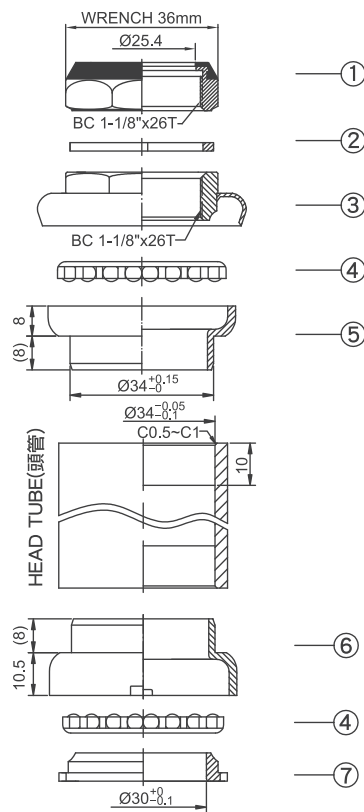
NO.	零件名稱 PART NAME	材質 MATERIAL	圖號 DRAWING NO.	台量 Q.TY	尺寸 DIM.DESCRPTION
1	上迫緊 LOCK NUT	碳鋼 STEEL	831-1	1	BC 1"x24T
2	有領華司 KEY WASHER	碳鋼 STEEL	SK3002	1	2txOD30(1")
3	上塞 ADJUSTING CONE	碳鋼 STEEL	831-3	1	BC 1"x24T
4	珠巢 BALL RETAINER	碳鋼 STEEL		2	5/32"x16
5	上碗 UPPER CUP	碳鋼 STEEL	800-4	1	Ø30 <sup>+0.15</sup> <sub>-0</sub>
6	安全下碗 LOWER SAFETY CUP	碳鋼 STEEL	130-5	1	Ø30 <sup>+0.15</sup> <sub>-0</sub>
7	安全下塞 CROWN RACE	碳鋼 STEEL	130-6	1	Ø27 <sup>+0</sup> <sub>-0.1</sub>

# H140

130° 1-1/8" SAFETY HEADSET



WEIGHT	164g
SIZE	1-1/8" Threaded Safety Headset
DIMENSIONS	Ø25.4x34x30

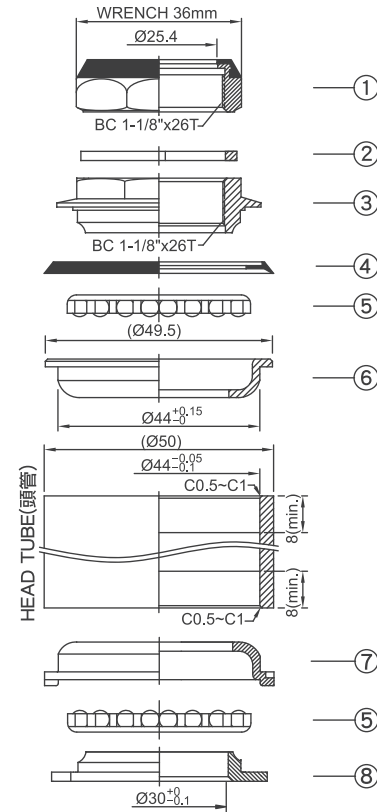


# H128-130

130° 1-1/8" SAFETY SEMI-INTEGRATED HEADSET



WEIGHT	154g
SIZE	1-1/8" Semi-Integrated Threaded Safety Headset
DIMENSIONS	Ø25.4x44/50x30

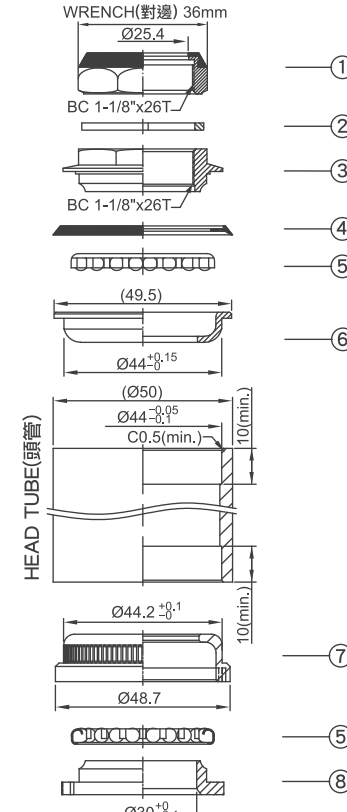


# H128-130SA

130° 1-1/8" SAFETY SEMI-INTEGRATED HEADSET



WEIGHT	164.8g
SIZE	1-1/8" Semi-integrated Threaded Safety Headset
DIMENSIONS	Ø25.4x44/50x30

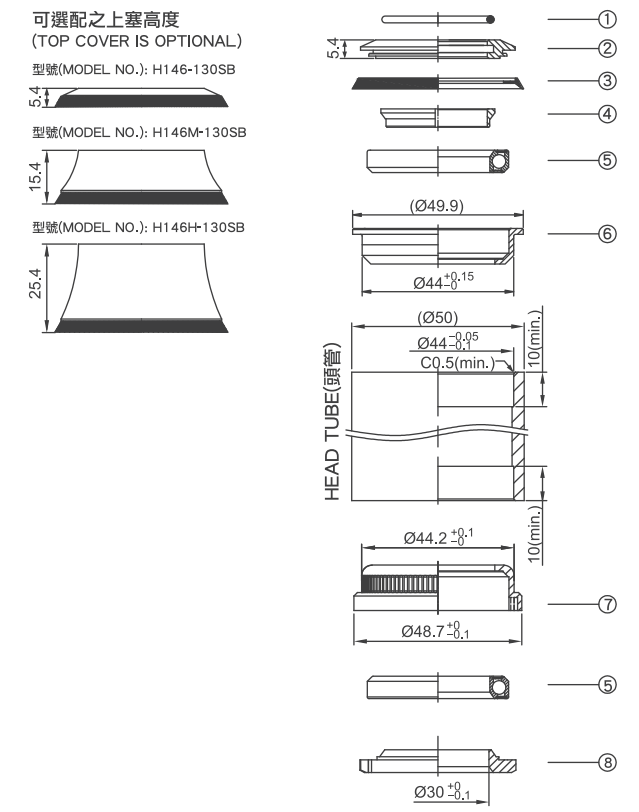


# H146-130SB

130° 1-1/8" SAFETY SEMI-INTEGRATED HEADSET



WEIGHT	108.1g
SIZE	1-1/8" Semi-integrated Threadless Safety Headset
DIMENSIONS	ZS44/28.6 I ZS44/30



堆積高度 (STACK HEIGHT) = 38.5 ± 1 mm

NO.	零件名稱 PART NAME	材質 MATERIAL	圖號 DRAWING NO.	台量 Q.TY	尺寸 DIM.DESCRPTION
1	防水上迫緊 LOCK NUT WITH SEAL	碳鋼 STEEL	841SW-1	1	BC 1-1/8"x26T
2	有領華司 KEY WASHER	碳鋼 STEEL	SK3402	1	2xOD34(1-1/8")
3	上塞 ADJUSTING CONE	碳鋼 STEEL	841-3	1	BC 1-1/8"x26T
4	珠巢 BALL RETAINER	碳鋼 STEEL		2	5/32"x22
5	上碗 UPPER CUP	碳鋼 STEEL	841-4	1	Ø34 <sup>+0.15</sup> <sub>-0</sub>
6	安全下碗 LOWER SAFETY CUP	碳鋼 STEEL	140-5	1	Ø34 <sup>+0.15</sup> <sub>-0</sub>
7	安全下塞 CROWN RACE	碳鋼 STEEL	140-6	1	Ø30 <sup>+0</sup> <sub>-0.1</sub>

堆積高度 (STACK HEIGHT) = 26.5 ± 1 mm

NO.	零件名稱 PART NAME	材質 MATERIAL	圖號 DRAWING NO.	台量 Q.TY	尺寸 DIM.DESCRPTION
1	防水上迫緊 LOCK NUT WITH SEAL	碳鋼 STEEL	841SW-1	1	BC 1-1/8"x26T
2	有領華司 KEY WASHER	碳鋼 STEEL	SK3402	1	2xOD34(1-1/8")
3	上塞 ADJUSTING CONE	碳鋼 STEEL	128-3	1	BC 1-1/8"x26T
4	防塵蓋 DUST-RESISTANT COVER	橡膠 NBR	118-8	1	
5	珠巢 BALL RETAINER	碳鋼 STEEL		2	5/32"x22
6	上碗 UPPER CUP	碳鋼 STEEL	142-4/5	1	Ø44 <sup>+0.15</sup> <sub>-0</sub>
7	下碗 LOWER SAFETY CUP	碳鋼 STEEL	142-130-5	1	Ø44 <sup>+0.15</sup> <sub>-0</sub>
8	安全下塞 CROWN RACE	碳鋼 STEEL	142-130-6	1	Ø30 <sup>+0</sup> <sub>-0.1</sub>

堆積高度 (STACK HEIGHT) = 26.9 ± 1 mm

NO.	零件名稱 PART NAME	材質 MATERIAL	圖號 DRAWING NO.	台量 Q.TY	尺寸 DIM.DESCRPTION
1	防水上迫緊 LOCK NUT WITH SEAL	碳鋼 STEEL	841SW-1	1	BC 1-1/8"x26T
2	有領華司 KEY WASHER	碳鋼 STEEL	SK3402	1	2xOD34(1-1/8")
3	上塞 ADJUSTING CONE	碳鋼 STEEL	128-3	1	BC 1-1/8"x26T
4	防塵蓋 DUST-RESISTANT COVER	橡膠 NBR	118-8	1	
5	珠巢 BALL RETAINER	碳鋼 STEEL		2	5/32"x22
6	上碗 CUP	碳鋼 STEEL	142-4/5	1	Ø44 <sup>+0.15</sup> <sub>-0</sub>
7	安全下碗 SAFETY LOWER CUP	碳鋼 STEEL	130SA-5	1	Ø44.2 <sup>+0.1</sup> <sub>-0</sub>
8	安全下塞 SAFETY CROWN RACE	碳鋼 STEEL	130SA-6	1	Ø30 <sup>+0</sup> <sub>-0.1</sub>

堆積高度 (STACK HEIGHT) = 12.1 ± 1 mm

NO.	零件名稱 PART NAME	材質 MATERIAL	圖號 DRAWING NO.	台量 Q.TY	尺寸 DIM.DESCRPTION
1	O形圈 O-Ring	橡膠 NBR	120-8	1	ID28.5xØ2
2	上塞 TOP COVER	鋁合金 ALLOY	125-3	1	1-1/8"
3	防塵蓋 DUST-RESISTANT COVER	橡膠 STEEL	118-8	1	
4	鋁斜管 COMPRESSING RING	鋁合金 ALLOY	773-2	1	1-1/8"
5	密封軸承 A.C. SEALED BEARING	軸承鋼 SUJ2	NHB-5D	2	OD41x36"x45°
6	上碗 UPPER CUP	鋁合金 ALLOY	146-4/5	1	Ø44 <sup>+0.15</sup> <sub>-0</sub>
7	安全下碗 SAFETY LOWER CUP	碳鋼 STEEL	130SB-5	1	Ø44.2 <sup>+0.1</sup> <sub>-0</sub>
8	安全下塞 SAFETY CROWN RACE	碳鋼 STEEL	130SB-6	1	Ø30 <sup>+0</sup> <sub>-0.1</sub>

# H148-130

130° 1-1/8" SAFETY SEMI-INTEGRATED HEADSET



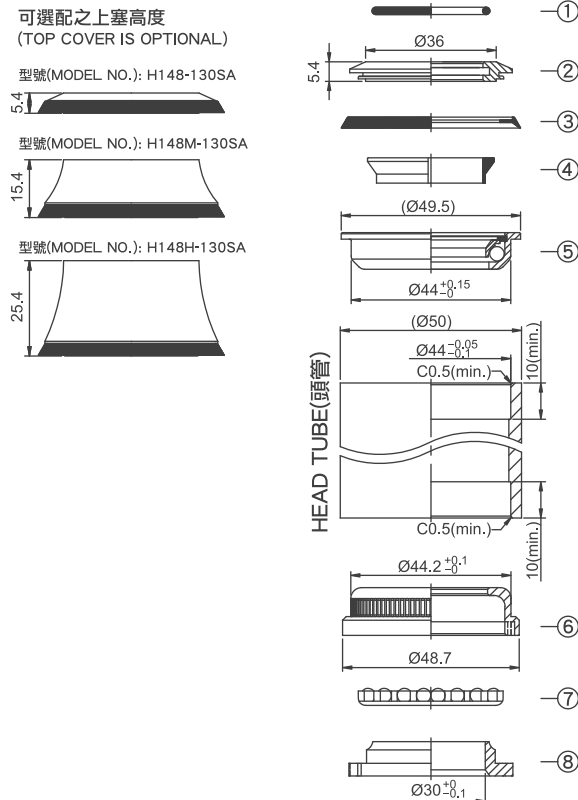
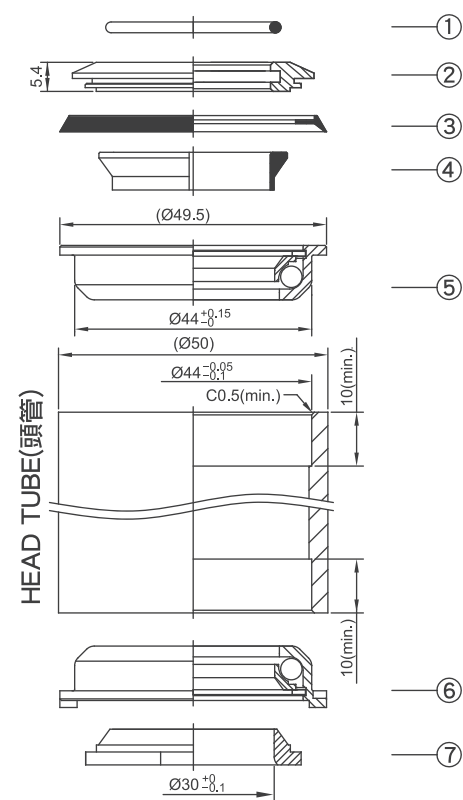
WEIGHT	100.8g
SIZE	1-1/8" Semi-Integrated Threadless Safety Headset
DIMENSIONS	ZS44/28.6   ZS44/30

# H148-130SA

130° 1-1/8" SAFETY SEMI-INTEGRATED HEADSET



WEIGHT	105g
SIZE	1-1/8" Semi-Integrated Threadless Safety Headset
DIMENSIONS	ZS44/28.6   ZS44/30

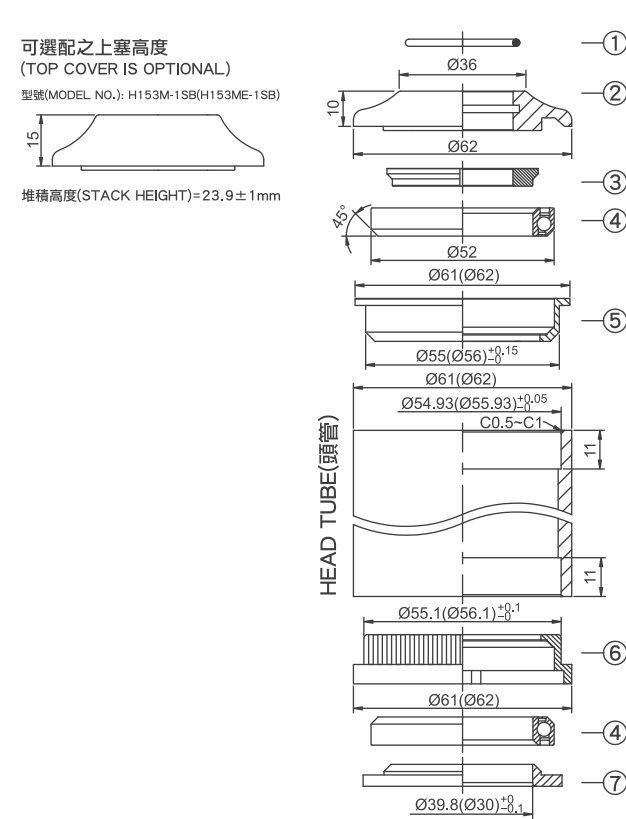


# H153-1SB

H153E-1SB  
130° 1.5" SAFETY SEMI-INTEGRATED HEADSET



WEIGHT	224.9g
SIZE	1.5" Head Tube Reduce to 1-1/8" Fork Tube
SIZE	Threadless Safety Headset
DIMENSIONS	ZS55/28.6   ZS55/39.8(30)
OPTIONAL	H153E-1SB ZS56/28.6   ZS56/39.8(30)

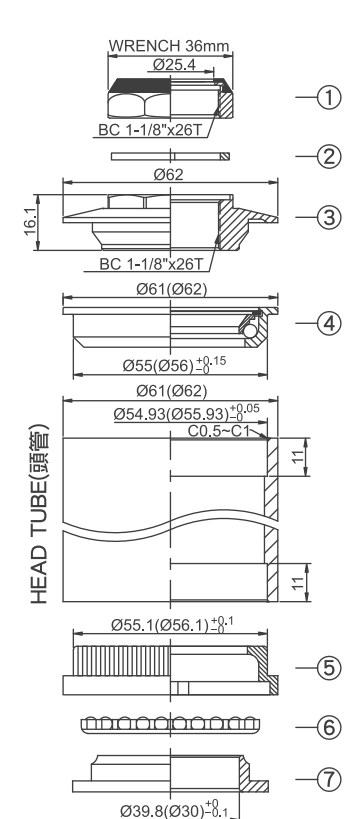


# H158-SA

H158ESA  
130° 1.5" SAFETY SEMI-INTEGRATED HEADSET



WEIGHT	258.5g
SIZE	1.5" Head Tube Reduce to 1-1/8" Fork Tube
SIZE	Safety Headset
DIMENSIONS	Ø25.4x55/61x39.8(30)
OPTIONAL	H158ESA Ø25.4x56/62x39.8(30)



堆積高度 (STACK HEIGHT) = 11.6 ± 1 mm

NO.	零件名稱 PART NAME	材質 MATERIAL	圖號 DRAWING NO.	台量 Q.TY	尺寸 DIM.DESCRPTION
1	O形圈 O-Ring	橡膠 NBR	120-8	1	ID28.5xØ2
2	上塞 TOP COVER	鋁合金 ALLOY	125-3	1	1-1/8"
3	防塵蓋 DUST-RESISTANT COVER	橡膠 NBR	118-8	1	
4	塑膠斜管 COMPRESSING RING	塑膠 NYLON	2036-2	1	1-1/8"
5	卡式碗 CARTRIDGE STEEL CUP	碳鋼 STEEL	148-4/5	1	Ø44 <sup>+0.15</sup> Ø44 <sup>+0.15</sup>
6	卡式安全下碗 CARTRIDGE SAFETY CUP	碳鋼 STEEL	148-130-5	1	Ø44 <sup>+0.15</sup> Ø44 <sup>+0.15</sup>
7	安全下塞 CROWN RACE	碳鋼 STEEL	148-130-6	1	Ø30 <sup>+0.1</sup> Ø30 <sup>+0.1</sup>

堆積高度 (STACK HEIGHT) = 12.8 ± 1 mm

NO.	零件名稱 PART NAME	材質 MATERIAL	圖號 DRAWING NO.	台量 Q.TY	尺寸 DIM.DESCRPTION
1	O形圈 O-Ring	橡膠 NBR	120-8	1	ID28.5xØ2
2	上塞 TOP COVER	鋁合金 6061/T6	125-3	1	1-1/8"
3	防塵蓋 DUST-RESISTANT COVER	塑膠 NBR	118-8	1	
4	塑膠斜管 COMPRESSING RING	塑膠 NYLON	2036	1	1-1/8"
5	卡式上碗 SEMI-CARTRIDGE STEEL CUP	碳鋼 STEEL	148-4/5	1	Ø44 <sup>+0.15</sup> Ø44 <sup>+0.15</sup>
6	安全下碗 SAFETY LOWER CUP	碳鋼 STEEL	130SA-5	1	Ø44.2 <sup>+0.1</sup> Ø44.2 <sup>+0.1</sup>
7	珠巢 BALL RETAINER	碳鋼 STEEL		1	5/32"x22
8	安全下塞 SAFETY CROWN RACE	碳鋼 STEEL	130SA-6	1	Ø30 <sup>+0.1</sup> Ø30 <sup>+0.1</sup>

堆積高度 (STACK HEIGHT) = 18.9 ± 1 mm

NO.	零件名稱 PART NAME	材質 MATERIAL	圖號 DRAWING NO.	台量 Q.TY	尺寸 DIM.DESCRPTION
1	O形圈 O-Ring	橡膠 NBR	120-8	1	ID28.5xØ2
2	鋁上塞 TOP COVER	鋁合金 ALLOY	153E-1-3 (153ME-1-3)	1	1-1/8"
3	鋁斜管 COMPRESSING RING	鋁合金 ALLOY	153-2	1	1-1/8"
4	密封式軸承 SUPER OVERSIZE A.C. SEALED BEARING	軸承鋼 SUJ2	NHB-15	2	OD52x45°x45°
5	上下碗 CUPS	鋁合金 ALLOY	383-5 (285-5)	1	Ø55(Ø56) <sup>+0.15</sup> Ø55(Ø56) <sup>+0.15</sup>
6	安全下碗 SAFETY LOWER CUP(130°)	碳鋼 STEEL	156SB-5 (156ESB-5)	1	Ø55.1(Ø56.1) <sup>+0.1</sup> Ø55.1(Ø56.1) <sup>+0.1</sup>
7	安全下塞 SAFETY LOWER RACE(130°)	碳鋼 STEEL	156SB-6	1	Ø39.8(Ø30) <sup>+0.1</sup> Ø39.8(Ø30) <sup>+0.1</sup>

堆積高度 (STACK HEIGHT) = 27.2 ± 1 mm

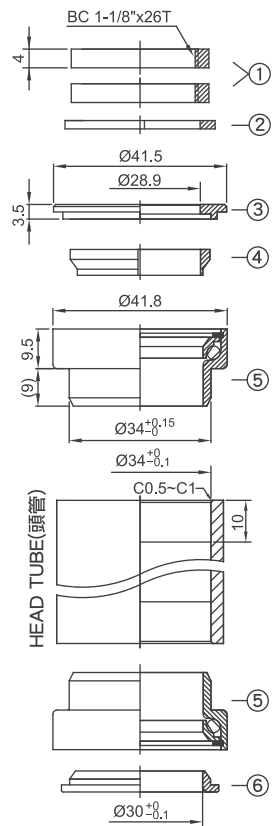
NO.	零件名稱 PART NAME	材質 MATERIAL	圖號 DRAWING NO.	台量 Q.TY	尺寸 DIM.DESCRPTION
1	鋁防水上迫緊 LOCK NUT WITH SEAL	鋁合金 ALLOY	815W-1	1	BC 1-1/8"x26T
2	有領華司 KEY WASHER	碳鋼 ALLOY	SK3402	1	2xOD34(1-1/8")
3	鋁上塞 ADJUSTING CONE	鋁合金 ALLOY	158-3	1	BC 1-1/8"x26T
4	半卡式上/下碗 SEMI-CARTRIDGE STEEL UPPER CUP	碳鋼 STEEL	156-5 (156E-5)	1	Ø55(Ø56) <sup>+0.15</sup> Ø55(Ø56) <sup>+0.15</sup>
5	安全下碗 SAFETY LOWER CUP(130°)	碳鋼 STEEL	156SA-5 (156ESA-5)	1	Ø55.1(Ø56.1) <sup>+0.1</sup> Ø55.1(Ø56.1) <sup>+0.1</sup>
6	珠巢 BALL RETAINER	碳鋼 STEEL		1	5/32"x27
7	下塞 CROWN RACE	碳鋼 STEEL	156SA-6	1	Ø39.8(Ø30) <sup>+0.1</sup> Ø39.8(Ø30) <sup>+0.1</sup>



# H231



WEIGHT	116.5g
SIZE	1-1/8" x 26T
DIMENSIONS	Ø28.6x34x30



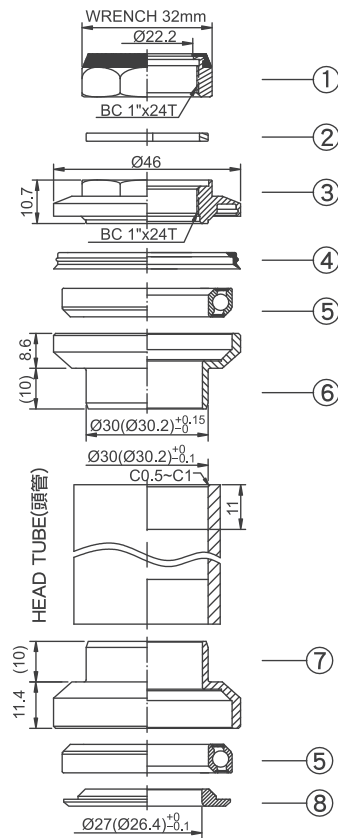
堆積高度 (STACK HEIGHT) = 34 ± 1 mm

NO.	零件名稱 PART NAME	材質 MATERIAL	圖號 DRAWING NO.	台量 Q'TY	尺寸 DIM.DESCRPTION
1	二缺牙環 LOCKING RING	碳鋼 STEEL	231-1	2	BC1-1/8"x26
2	有領華司 KEY WASHER	碳鋼 STEEL	SK3402	1	2txOD34(1-1/8")
3	上塞 TOP COVER	鋁合金 ALLOY	231-3	1	1-1/8"
4	鋁斜管 COMPRESSING RING	鋁合金 ALLOY	231-2	1	1-1/8"
5	卡式碗 CARTRIDGE STEEL CUP	碳鋼 STEEL	231-4/5	2	Ø34 <sup>+0.15</sup> <sub>-0</sub>
6	下塞 CROWN RACE	碳鋼 STEEL	231-6	1	Ø30 <sup>+0</sup> <sub>-0.1</sub>

# H617



WEIGHT	101.8g
SIZE	1"x24T
DIMENSIONS	Ø22.2x30x27(26.4)



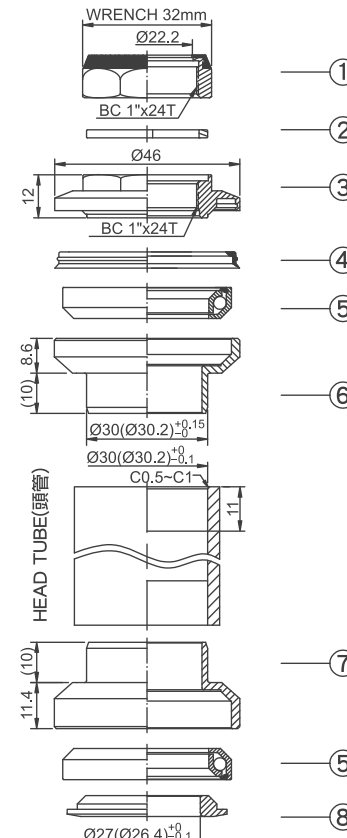
堆積高度 (STACK HEIGHT) = 40.5 ± 1 mm

NO.	零件名稱 PART NAME	材質 MATERIAL	圖號 DRAWING NO.	台量 Q'TY	尺寸 DIM.DESCRPTION
1	防水上迫緊 LOCK NUT WITH SEAL	鋁合金 ALLOY	807W-1	1	BC 1"x24T
2	有領華司 KEY WASHER	碳鋼 STEEL	SK3002	1	2txOD30
3	鋁上塞 ADJUSTING CONE	鋁合金 ALLOY	617-3	1	BC 1"x24T
4	防塵蓋 RUBBER SEAL	橡膠 NBR	273-0	1	1-1/8"
5	密封式軸承 A.C. SEALED BEARING	軸承鋼 SUJ2	NHB-6B	2	OD41.8x45°x45°
6	鋁上碗 UPPER CUP	鋁合金 ALLOY	610-4	1	Ø30(Ø30.2) <sup>+0.15</sup> <sub>-0</sub>
7	鋁下碗 LOWER CUP	鋁合金 ALLOY	610-5	1	Ø30(Ø30.2) <sup>+0.15</sup> <sub>-0</sub>
8	鋁下塞 CROWN RACE	鋁合金 ALLOY	05-6	1	Ø27(Ø26.4) <sup>+0</sup> <sub>-0.1</sub>

# H671



WEIGHT	117g
SIZE	1"x24T
DIMENSIONS	Ø22.2x30x27(26.4)



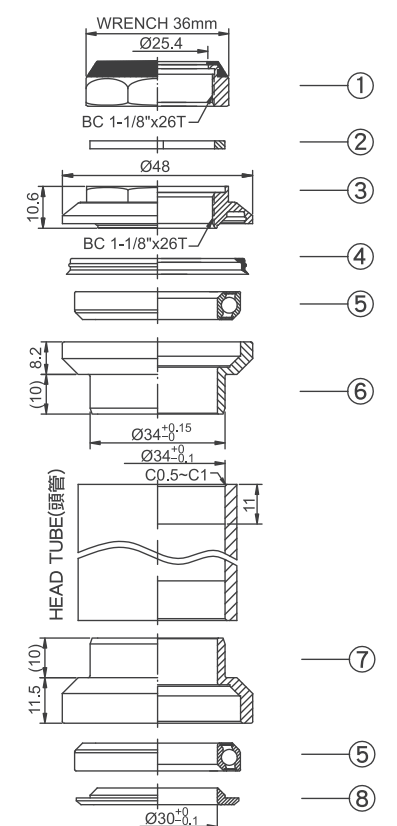
堆積高度 (STACK HEIGHT) = 40.5 ± 1 mm

NO.	零件名稱 PART NAME	材質 MATERIAL	圖號 DRAWING NO.	台量 Q'TY	尺寸 DIM.DESCRPTION
1	防水上迫緊 LOCK NUT WITH SEAL	鋁合金 ALLOY	807W-1	1	BC 1"x24T
2	有領華司 KEY WASHER	碳鋼 STEEL	SK3002	1	2txOD30
3	鋁上塞 ADJUSTING CONE	鋁合金 ALLOY	617-3	1	BC 1"x24T
4	防塵蓋 RUBBER SEAL	橡膠 NBR	273-0	1	1-1/8"
5	卡式軸承 CARTRIDGE BALL BEARING	鉻鉬鋼 CR-MO STEEL	CCB-418	2	OD41.8x45°x45°
6	鋁上碗 UPPER CUP	鋁合金 ALLOY	610-4	1	Ø30(Ø30.2) <sup>+0.15</sup> <sub>-0</sub>
7	鋁下碗 LOWER CUP	鋁合金 ALLOY	610-5	1	Ø30(Ø30.2) <sup>+0.15</sup> <sub>-0</sub>
8	下塞 CROWN RACE	碳鋼 STEEL	671-6	1	Ø27(Ø26.4) <sup>+0</sup> <sub>-0.1</sub>

# H717



WEIGHT	116g
SIZE	1-1/8"x26T
DIMENSIONS	Ø25.4x34x30



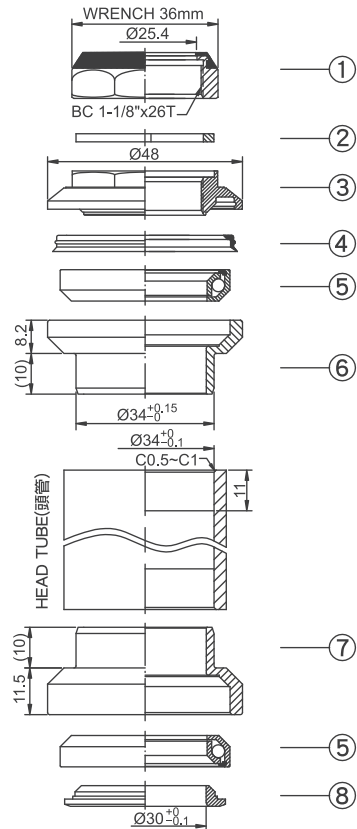
堆積高度 (STACK HEIGHT) = 40.5 ± 1 mm

NO.	零件名稱 PART NAME	材質 MATERIAL	圖號 DRAWING NO.	台量 Q'TY	尺寸 DIM.DESCRPTION
1	防水上迫緊 LOCK NUT WITH SEAL	鋁合金 ALLOY	815W-1	1	BC1-1/8"x26T
2	有領華司 KEY WASHER	碳鋼 STEEL	SK3402	1	2txOD34(1-1/8")
3	鋁上塞 ADJUSTING CONE	鋁合金 ALLOY	717-3	1	BC 1-1/8"x26T
4	防塵蓋 RUBBER SEAL	橡膠 NBR	273-0	1	1-1/8"
5	密封式軸承 A.C. SEALED BEARING	軸承鋼 SUJ2	NHB-6B	2	OD41.8x45°x45°
6	鋁上碗 UPPER CUP	鋁合金 ALLOY	773-4	1	Ø34 <sup>+0.15</sup> <sub>-0</sub>
7	鋁下碗 LOWER CUP	鋁合金 ALLOY	773-5	1	Ø34 <sup>+0.15</sup> <sub>-0</sub>
8	鋁下塞 CROWN RACE	鋁合金 ALLOY	51-6	1	Ø30 <sup>+0</sup> <sub>-0.1</sub>

# H771



WEIGHT	120g
SIZE	1-1/8"x26T
DIMENSIONS	Ø25.4x34x30



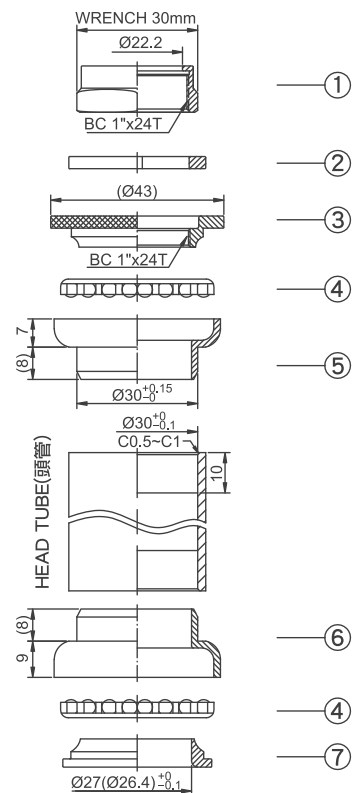
堆積高度 (STACK HEIGHT) = 40.8 ± 1 mm

NO.	零件名稱 PART NAME	材質 MATERIAL	圖號 DRAWING NO.	台量 Q.TY	尺寸 DIM.DESCRPTION
1	防水防上迫緊 LOCK NUT WITH SEAL	鋁合金 ALLOY	815W-1	1	BC1-1/8"x26T
2	有領華司 KEY WASHER	碳鋼 STEEL	SK3402	1	2xOD34(1-1/8")
3	鋁上塞 ADJUSTING CONE	鋁合金 ALLOY	771-3	1	BC 1-1/8"x26T
4	防塵蓋 DUST-RESISTANT COVER	橡膠 NBR	273-0	1	
5	卡式軸承 CARTRIDGE BALL BEARING	鎢鈹鋼 CR-MO STEEL	CCB-418	2	OD41.8x45"x45°
6	鋁上碗 UPPER CUP	鋁合金 ALLOY	773-4	1	Ø34 <sup>+0.15</sup> <sub>-0</sub>
7	鋁下碗 LOWER CUP	鋁合金 ALLOY	773-5	1	Ø34 <sup>+0.15</sup> <sub>-0</sub>
8	下塞 CROWN RACE	碳鋼 STEEL	52-6	1	Ø30 <sup>+0</sup> <sub>-0.1</sub>

# H800K



WEIGHT	123g
SIZE	1"x24T
DIMENSIONS	Ø22.2x30x27(26.4)
OPTIONAL	H800D Plain Washer (w/o nose) H800T Threaded Washer H800C Semi-Cartridge Cups



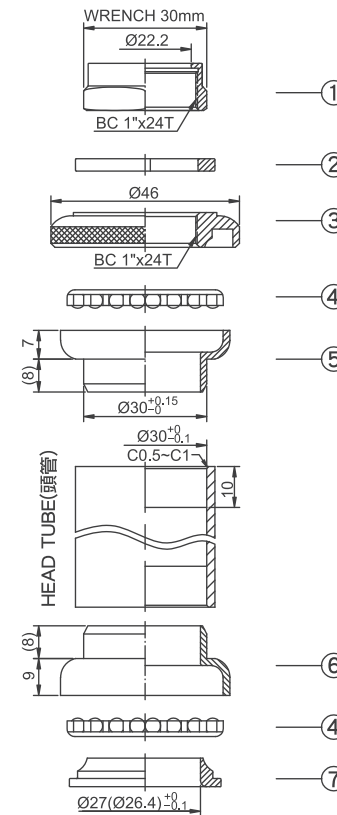
堆積高度 (STACK HEIGHT) = 34.3 ± 1 mm

NO.	零件名稱 PART NAME	材質 MATERIAL	圖號 DRAWING NO.	台量 Q.TY	尺寸 DIM.DESCRPTION
1	上迫緊 LOCK NUT	碳鋼 STEEL	800-1	1	BC1"x24T
2	有領華司 KEY WASHER	碳鋼 STEEL	SK3403	1	3xOD34
3	上塞 ADJUSTING CONE	碳鋼 STEEL	800-3	1	BC 1"x24T
4	珠巢 BALL RETAINER	碳鋼 STEEL		2	5/32"x16
5	上碗 UPPER CUP	碳鋼 STEEL	800-4	1	Ø30 <sup>+0.15</sup> <sub>-0</sub>
6	下碗 LOWER CUP	碳鋼 STEEL	800-5	1	Ø30 <sup>+0.15</sup> <sub>-0</sub>
7	下塞 CROWN RACE	碳鋼 STEEL	800-6	1	Ø27(Ø26.4) <sup>+0</sup> <sub>-0.1</sub>

# H801K



WEIGHT	139g
SIZE	1"x24T
DIMENSIONS	Ø22.2x30x27(26.4)



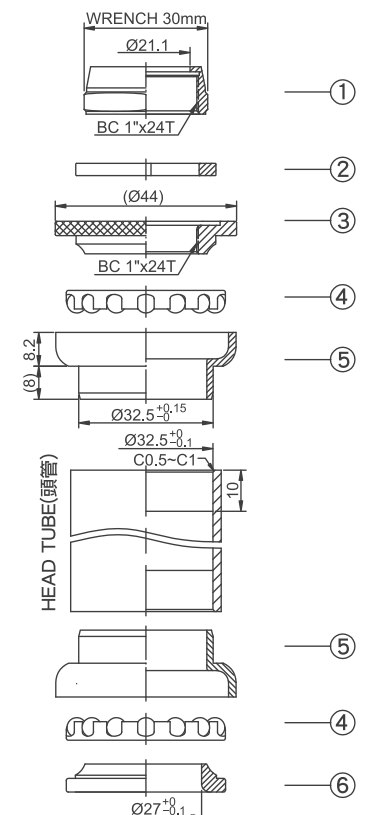
堆積高度 (STACK HEIGHT) = 36 ± 1 mm

NO.	零件名稱 PART NAME	材質 MATERIAL	圖號 DRAWING NO.	台量 Q.TY	尺寸 DIM.DESCRPTION
1	上迫緊 LOCK NUT	碳鋼 STEEL	800-1	1	BC 1"x24T
2	有領華司 KEY WASHER	碳鋼 STEEL	SK3403	1	3xOD34(1")
3	上塞 ADJUSTING CONE	碳鋼 STEEL	800-3	1	BC 1"x24T
4	珠巢 BALL RETAINER	碳鋼 STEEL		2	5/32"x16
5	上碗 UPPER CUP	碳鋼 STEEL	800-4	1	Ø30 <sup>+0.15</sup> <sub>-0</sub>
6	下碗 LOWER CUP	碳鋼 STEEL	800-5	1	Ø30 <sup>+0.15</sup> <sub>-0</sub>
7	安全下塞 CROWN RACE	碳鋼 STEEL	800-6	1	Ø27(Ø26.4) <sup>+0</sup> <sub>-0.1</sub>

# H802AK



WEIGHT	150g
SIZE	1"x24T
DIMENSIONS	Ø21.1x32.5x27



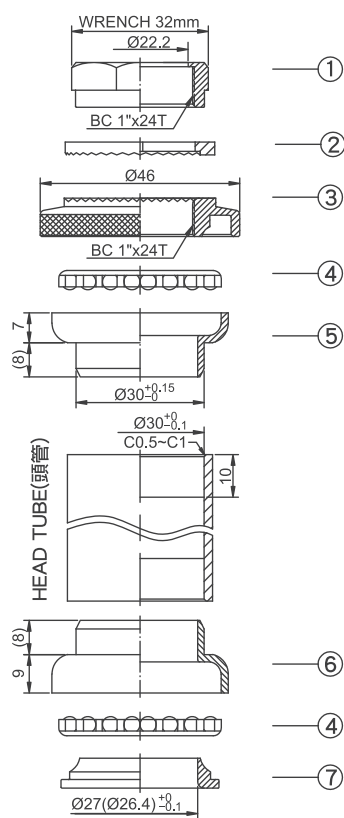
堆積高度 (STACK HEIGHT) = 36 ± 1 mm

NO.	零件名稱 PART NAME	材質 MATERIAL	圖號 DRAWING NO.	台量 Q.TY	尺寸 DIM.DESCRPTION
1	上迫緊 LOCK NUT	碳鋼 STEEL	800A-1	1	BC 1"x24T
2	有領華司 KEY WASHER	碳鋼 STEEL	SK3403	1	3xOD34
3	上塞 ADJUSTING CONE	碳鋼 STEEL	802-3	1	BC 1"x24T
4	珠巢 BALL RETAINER	碳鋼 STEEL		2	3/16"x15
5	碗 CUPS	碳鋼 STEEL	802-4	2	Ø32.5 <sup>+0.15</sup> <sub>-0</sub>
6	下塞 CROWN RACE	碳鋼 STEEL	802-6	1	Ø27 <sup>+0</sup> <sub>-0.1</sub>

# H806



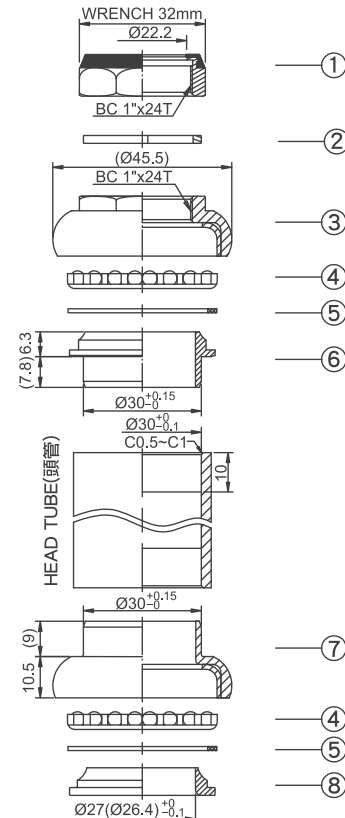
WEIGHT	144.7g
SIZE	1"x24T
DIMENSIONS	Ø22.2x30x27(26.4)



# H807W



WEIGHT	115g
SIZE	1"x24T
DIMENSIONS	Ø22.2x30x27(26.4)



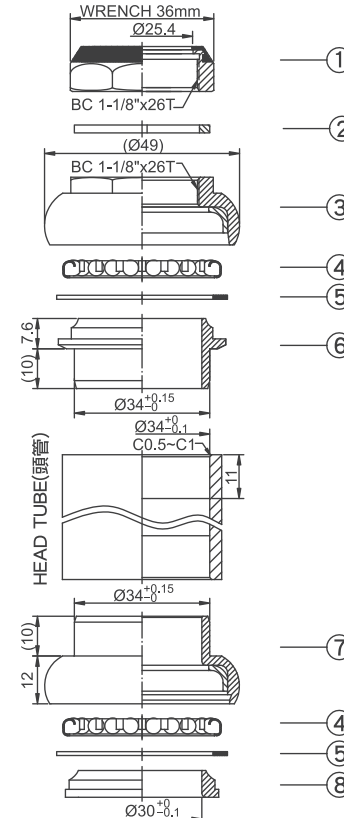
堆積高度 (STACK HEIGHT) = 39.5 ± 1 mm

NO.	零件名稱 PART NAME	材質 MATERIAL	圖號 DRAWING NO.	台量 Q.TY.	尺寸 DIM.DESCRPTION
1	防水上迫緊 LOCK NUT WITH SEAL	鋁合金 ALLOY	807W-1	1	BC 1"x24T
2	有領華司 KEY WASHER	碳鋼 STEEL	SK3002	1	2xOD30(1")
3	鋁上塞 ADJUSTING CONE	鋁合金 ALLOY	807W-3	1	BC 1"x24T
4	珠巢 BALL RETAINER	碳鋼 STEEL		2	5/32"x20
5	防水圈 RUBBER SEAL	橡膠 NBR	807W-8	2	
6	上管塞 UPPER CONE	碳鋼 STEEL	807W-4	1	Ø30 <sup>+0.15</sup> <sub>-0</sub>
7	鋁下碗 LOWER CUP	鋁合金 ALLOY	807W-5	1	Ø30 <sup>+0.15</sup> <sub>-0</sub>
8	下塞 CROWN RACE	碳鋼 STEEL	807-6	1	Ø27(Ø26.4) <sup>+0</sup> <sub>-0.1</sub>

# H815W



WEIGHT	145g
SIZE	1-1/8"x26T
DIMENSIONS	Ø25.4x34x30



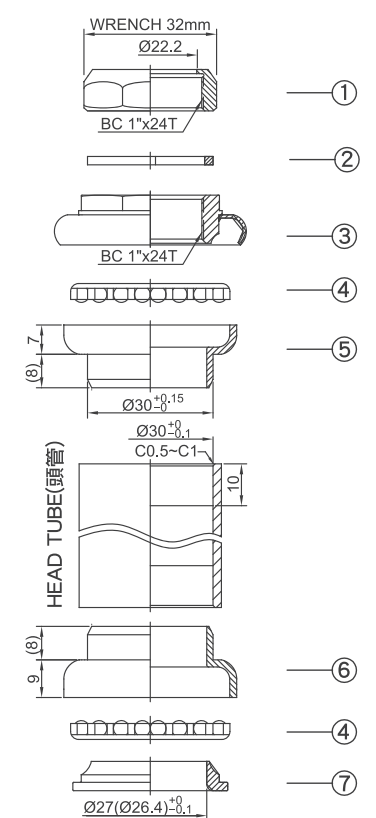
堆積高度 (STACK HEIGHT) = 43 ± 1 mm

NO.	零件名稱 PART NAME	材質 MATERIAL	圖號 DRAWING NO.	台量 Q.TY.	尺寸 DIM.DESCRPTION
1	防水上迫緊 LOCK NUT WITH SEAL	鋁合金 ALLOY	815W-1	1	BC 1-1/8"x26T
2	有領華司 KEY WASHER	碳鋼 STEEL	SK3402	1	2xOD34(1-1/8")
3	鋁上塞 ADJUSTING CONE	鋁合金 ALLOY	815W-3	1	BC 1-1/8"x26T
4	珠巢 BALL RETAINER	碳鋼 STEEL		2	5/32"x22
5	防水圈 RUBBER SEAL	橡膠 NBR	815W-8	2	
6	上管塞 UPPER CONE	碳鋼 STEEL	815W-4	1	Ø34 <sup>+0.15</sup> <sub>-0</sub>
7	鋁下碗 LOWER CUP	鋁合金 ALLOY	815W-5	1	Ø34 <sup>+0.15</sup> <sub>-0</sub>
8	下塞 CROWN RACE	碳鋼 STEEL	841-6(703-6)	1	Ø30 <sup>+0</sup> <sub>-0.1</sub>

# H831



WEIGHT	134g
SIZE	1"x24T
DIMENSIONS	Ø22.2x30x27(26.4)



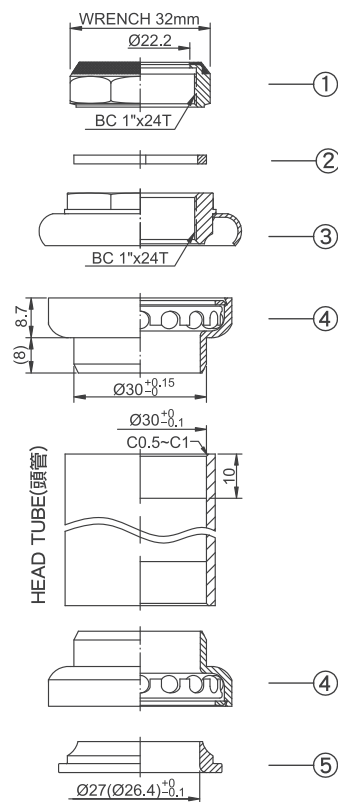
堆積高度 (STACK HEIGHT) = 36.5 ± 1 mm

NO.	零件名稱 PART NAME	材質 MATERIAL	圖號 DRAWING NO.	台量 Q.TY.	尺寸 DIM.DESCRPTION
1	上迫緊 LOCK NUT	碳鋼 STEEL	831-1	1	BC 1"x24T
2	有領華司 KEY WASHER	碳鋼 STEEL	SK3002	1	2xOD30(1")
3	上塞 ADJUSTING CONE	碳鋼 STEEL	831-3	1	BC 1"x24T
4	珠巢 BALL RETAINER	碳鋼 STEEL		2	5/32"x26
5	上碗 UPPER CUP	碳鋼 STEEL	800-4	1	Ø30 <sup>+0.15</sup> <sub>-0</sub>
6	下碗 LOWER CUP	碳鋼 STEEL	800-5	1	Ø30 <sup>+0.15</sup> <sub>-0</sub>
7	下塞 CROWN RACE	碳鋼 STEEL	800-6	1	Ø27(Ø26.4) <sup>+0</sup> <sub>-0.1</sub>

# H831CW



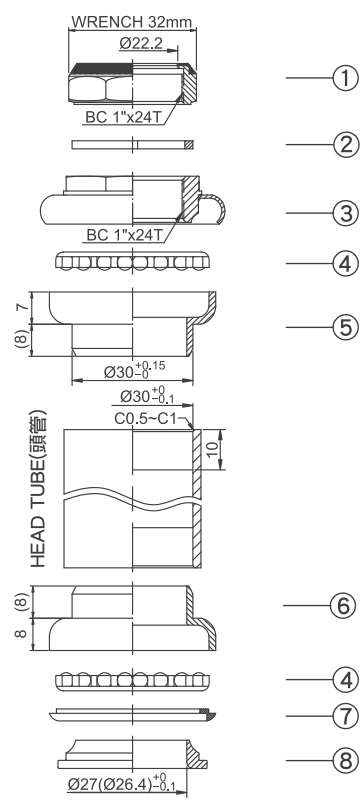
WEIGHT	140.1g
SIZE	1"x24T
DIMENSIONS	Ø22.2x30x27(26.4)



# H831SW



WEIGHT	134g
SIZE	1"x24T
DIMENSIONS	Ø22.2x30x27(26.4)



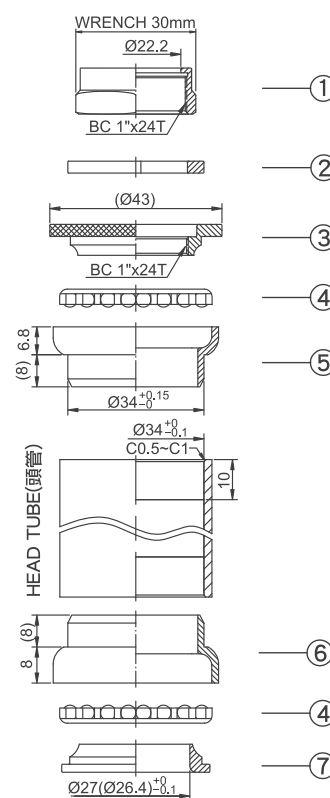
堆積高度 (STACK HEIGHT) = 36.5 ± 1 mm

NO.	零件名稱 PART NAME	材質 MATERIAL	圖號 DRAWING NO.	台量 Q'TY	尺寸 DIM.DESCRPTION
1	防水上迫緊 LOCK NUT WITH SEAL	碳鋼 STEEL	831SW-1	1	BC 1"x24T
2	有領華司 KEY WASHER	碳鋼 STEEL	SK3002	1	2txOD30(1")
3	上塞 ADJUSTING CONE	碳鋼 STEEL	831-3	1	BC 1"x24T
4	半卡式碗 SEMI-CARTRIDGE STEEL CUP	碳鋼 STEEL	800C-4/5	2	Ø30 <sup>+0.15</sup> <sub>0</sub>
5	下塞 CROWN RACE	碳鋼 STEEL	800-6	1	Ø27(Ø26.4) <sup>+0</sup> <sub>-0.1</sub>

# H833K



WEIGHT	127.8g
SIZE	1-1/8" Head Tube Reduced to 1" Fork Tube Threaded Headset
DIMENSIONS	Ø22.2x34x27(26.4)



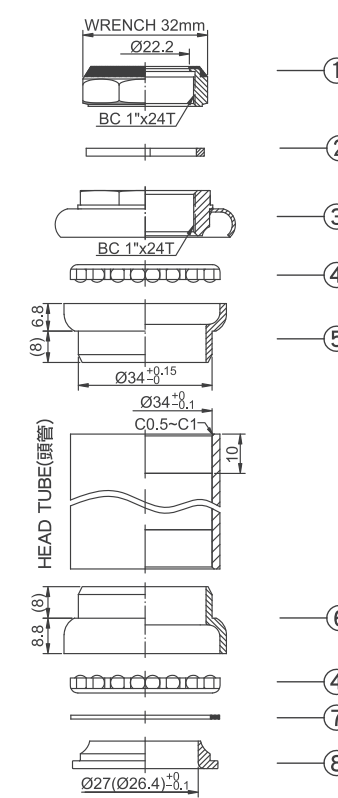
堆積高度 (STACK HEIGHT) = 33.5 ± 1 mm

NO.	零件名稱 PART NAME	材質 MATERIAL	圖號 DRAWING NO.	台量 Q'TY	尺寸 DIM.DESCRPTION
1	上迫緊 LOCK NUT	碳鋼 STEEL	800-1	1	BC 1"x24T
2	有領華司 KEY WASHER	碳鋼 STEEL	SK3402	1	3txOD34(1")
3	上塞 ADJUSTING CONE	碳鋼 STEEL	800-3	1	BC 1"x24T
4	珠巢 BALL RETAINER	碳鋼 STEEL		2	5/32"x16
5	上碗 UPPER CUP	碳鋼 STEEL	834-4	1	Ø34 <sup>+0.15</sup> <sub>0</sub>
6	下碗 LOWER CUP	碳鋼 STEEL	834-5	1	Ø34 <sup>+0.15</sup> <sub>0</sub>
7	下塞 CROWN RACE	碳鋼 STEEL	800-6	1	Ø27(Ø26.4) <sup>+0</sup> <sub>-0.1</sub>

# H834SW



WEIGHT	139.4g
SIZE	1-1/8" Head Tube Reduced to 1" Fork Tube Threaded Headset
DIMENSIONS	Ø22.2x34x27(26.4)



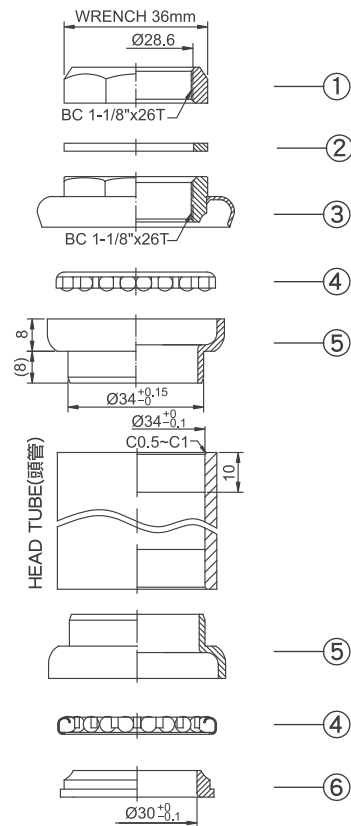
堆積高度 (STACK HEIGHT) = 36 ± 1 mm

NO.	零件名稱 PART NAME	材質 MATERIAL	圖號 DRAWING NO.	台量 Q'TY	尺寸 DIM.DESCRPTION
1	防水上迫緊 LOCK NUT WITH SEAL	碳鋼 STEEL	831SW-1	1	BC 1"x24T
2	有領華司 KEY WASHER	碳鋼 STEEL	SK3002	1	2txOD30(1")
3	上塞 ADJUSTING CONE	碳鋼 STEEL	831-3	1	BC 1"x24T
4	珠巢 BALL RETAINER	碳鋼 STEEL		2	5/32"x16
5	上碗 UPPER CUP	碳鋼 STEEL	834-4	1	Ø34 <sup>+0.15</sup> <sub>0</sub>
6	下碗 LOWER CUP	碳鋼 STEEL	834-5	1	Ø34 <sup>+0.15</sup> <sub>0</sub>
7	防水圈 DUST RESISTANT COVER	塑膠 NYLON	807W-8	1	
8	下塞 CROWN RACE	碳鋼 STEEL	800-6	1	Ø27(Ø26.4) <sup>+0</sup> <sub>-0.1</sub>

# H841G



WEIGHT	160.2g
SIZE	1-1/8"x26T
SHIS NORM	Ø28.6x34x30



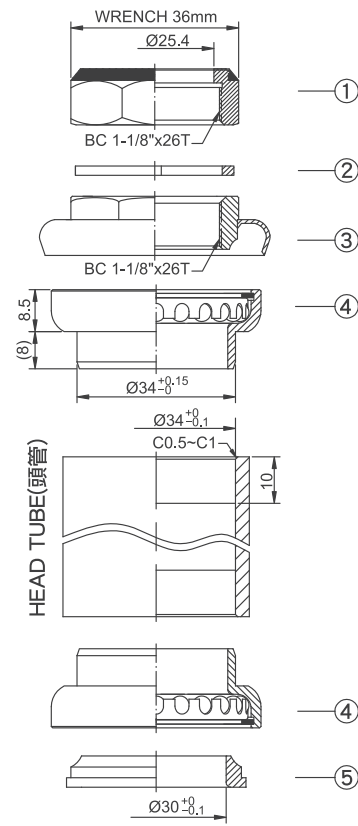
堆積高度 (STACK HEIGHT) = 37.5 ± 1 mm

NO.	零件名稱 PART NAME	材質 MATERIAL	圖號 DRAWING NO.	台量 Q'TY	尺寸 DIM. DESCRIPTION
1	通孔上迫緊 LOCK NUT(GO THROUGH)	碳鋼 STEEL	841G-1	1	BC 1-1/8"x26T
2	中圈華司 PLAIN WASHER	碳鋼 STEEL	SK3602	1	2xOD36(1-1/8")
3	上塞 ADJUSTING CONE	碳鋼 STEEL	841-3	1	BC 1-1/8"x26T
4	珠巢 BALL RETAINER	碳鋼 STEEL		2	5/32"x22
5	碗 CUPS	碳鋼 STEEL	841-4	2	Ø34 <sup>+0.15</sup> <sub>-0</sub>
6	下塞 CROWN RACE	碳鋼 STEEL	841-6	1	Ø30 <sup>+0</sup> <sub>-0.1</sub>

# H841CW



WEIGHT	171.4g
SIZE	1-1/8"x26T
DIMENSIONS	Ø25.4x34x30



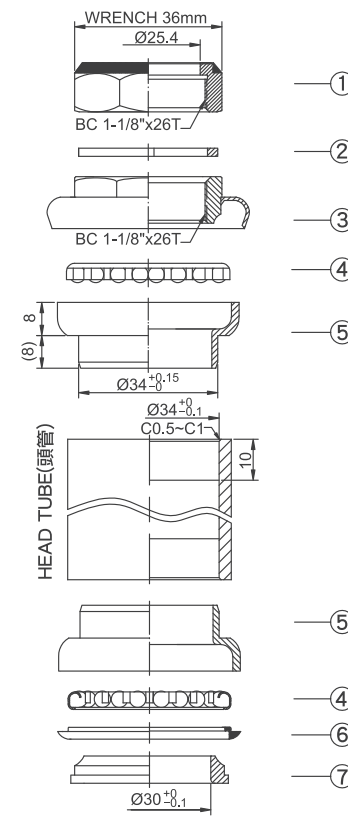
堆積高度 (STACK HEIGHT) = 38 ± 1 mm

NO.	零件名稱 PART NAME	材質 MATERIAL	圖號 DRAWING NO.	台量 Q'TY	尺寸 DIM. DESCRIPTION
1	防水上迫緊 LOCK NUT WITH SEAL	碳鋼 STEEL	841SW-1	1	BC 1-1/8"x26T
2	有領華司 KEY WASHER	碳鋼 STEEL	SK3402	1	2txOD34(1-1/8")
3	上塞 ADJUSTING CONE	碳鋼 STEEL	841-3	1	BC 1-1/8"x26T
4	半卡式碗 SEMI-CARTRIDGE STEEL CUP	碳鋼 STEEL	841C-4/5	2	Ø34 <sup>+0.15</sup> <sub>-0</sub>
5	下塞 CROWN RACE	碳鋼 STEEL	841-6	1	Ø30 <sup>+0</sup> <sub>-0.1</sub>

# H841SW



WEIGHT	161g
SIZE	1-1/8"x26T
DIMENSIONS	Ø25.4x34x30



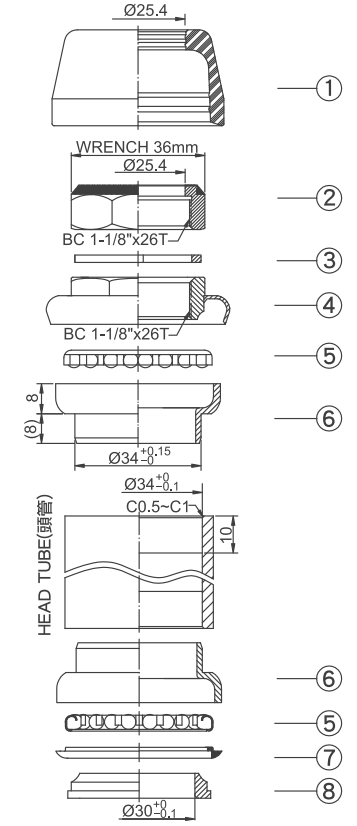
堆積高度 (STACK HEIGHT) = 37.5 ± 1 mm

NO.	零件名稱 PART NAME	材質 MATERIAL	圖號 DRAWING NO.	台量 Q'TY	尺寸 DIM. DESCRIPTION
1	防水上迫緊 LOCK NUT WITH SEAL	碳鋼 STEEL	841SW-1	1	BC 1-1/8"x26T
2	有領華司 KEY WASHER	碳鋼 STEEL	SK3402	1	2txOD34(1-1/8")
3	上塞 ADJUSTING CONE	碳鋼 STEEL	841-3	1	BC 1-1/8"x26T
4	珠巢 BALL RETAINER	碳鋼 STEEL		2	5/32"x22
5	碗 CUPS	碳鋼 STEEL	841-4	2	Ø34 <sup>+0.15</sup> <sub>-0</sub>
6	防水圈 DUST-RESISTANT COVER	塑膠 NYLON	142-8	1	
7	下塞 CROWN RACE	碳鋼 STEEL	841-6	1	Ø30 <sup>+0</sup> <sub>-0.1</sub>

# H841SW-P



WEIGHT	174g
SIZE	1-1/8"x26T
DIMENSIONS	Ø25.4x34x30



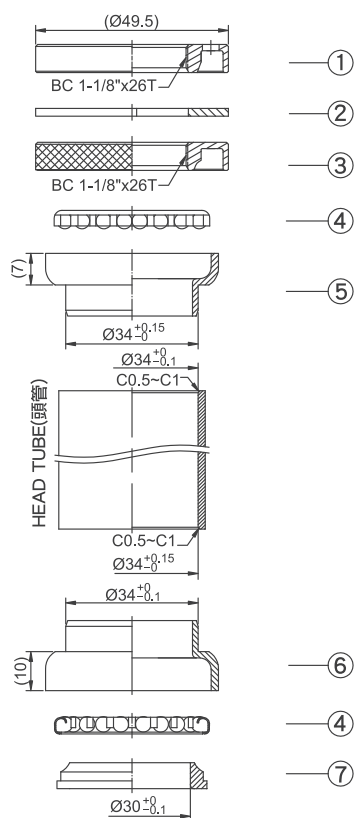
堆積高度 (STACK HEIGHT) = 37.5 ± 1 mm

NO.	零件名稱 PART NAME	材質 MATERIAL	圖號 DRAWING NO.	台量 Q'TY	尺寸 DIM. DESCRIPTION
1	塑膠蓋 TOP COVER	塑膠 NYLON	113-0	1	1-1/8"
2	防水上迫緊 LOCK NUT WITH SEAL	碳鋼 STEEL	841SW-1	1	BC 1-1/8"x26T
3	有領華司 KEY WASHER	碳鋼 STEEL	SK3402	1	2txOD34(1-1/8")
4	上塞 ADJUSTING CONE	碳鋼 STEEL	841-3	1	BC 1-1/8"x26T
5	珠巢 BALL RETAINER	碳鋼 STEEL		2	5/32"x22
6	碗 CUPS	碳鋼 STEEL	841-4	2	Ø34 <sup>+0.15</sup> <sub>-0</sub>
7	防水圈 DUST-RESISTANT COVER	塑膠 NYLON	142-8	1	
8	下塞 CROWN RACE	碳鋼 STEEL	841-6	1	Ø30 <sup>+0</sup> <sub>-0.1</sub>

# H842-2



WEIGHT	190g
SIZE	1-1/8"x26T
DIMENSIONS	Ø25.4x34x30



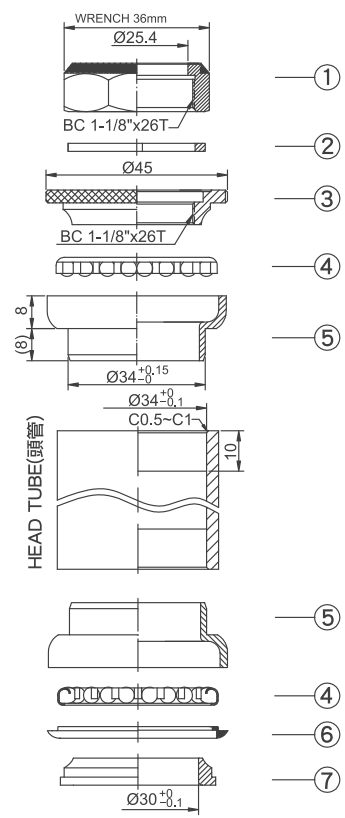
堆積高度 (STACK HEIGHT) = 30.5 ± 1 mm

NO.	零件名稱 PART NAME	材質 MATERIAL	圖號 DRAWING NO.	台量 Q'TY	尺寸 DIM. DESCRIPTION
1	上迫緊 LOCK NUT	碳鋼 STEEL	842-2-1	1	BC 1-1/8"x26T
2	大華司 KEY WASHER	碳鋼 STEEL		1	2txOD49.5(1-1/8")
3	上塞 ADJUSTING CONE	碳鋼 STEEL	842-2-3	1	BC 1-1/8"x26T
4	珠巢 BALL RETAINER	碳鋼 STEEL		2	5/32"x22
5	上碗 UPPER CUP	碳鋼 STEEL	703-4/5	1	Ø34 <sup>+0.15</sup> <sub>-0</sub>
6	下碗 LOWER CUP	碳鋼 STEEL	842-2-5	1	Ø34 <sup>+0.15</sup> <sub>-0</sub>
7	下塞 CROWN RACE	碳鋼 STEEL	841-6	1	Ø30 <sup>+0</sup> <sub>-0.1</sub>

# H842SW



WEIGHT	149g
SIZE	1-1/8"x26T
DIMENSIONS	Ø25.4x34x30



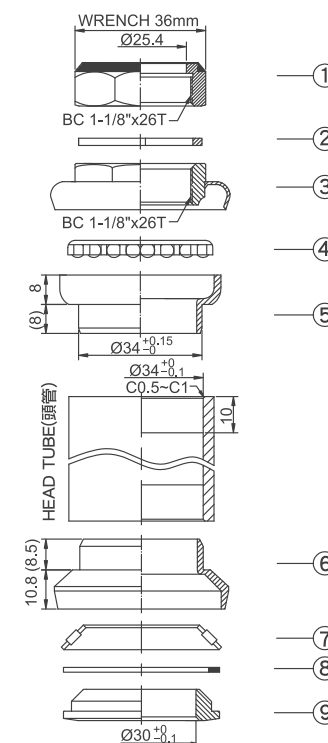
堆積高度 (STACK HEIGHT) = 34 ± 1 mm

NO.	零件名稱 PART NAME	材質 MATERIAL	圖號 DRAWING NO.	台量 Q'TY	尺寸 DIM. DESCRIPTION
1	防水上迫緊 LOCK NUT WITH SEAL	碳鋼 STEEL	841SW-1	1	BC 1-1/8"x26T
2	有領華司 KEY WASHER	碳鋼 STEEL	SK3402	1	2txOD34(1-1/8")
3	上塞 ADJUSTING CONE	碳鋼 STEEL	842-3	1	BC 1-1/8"x26T
4	珠巢 BALL RETAINER	碳鋼 STEEL		2	5/32"x22
5	碗 CUPS	碳鋼 STEEL	841-4	2	Ø34 <sup>+0.15</sup> <sub>-0</sub>
6	防水圈 DUST-RESISTANT COVER	塑膠 NYLON	142-8	1	
7	下塞 CROWN RACE	碳鋼 STEEL	841-6	1	Ø30 <sup>+0</sup> <sub>-0.1</sub>

# H843NW



WEIGHT	188g
SIZE	1-1/8"x26T
DIMENSIONS	Ø25.4x34x30

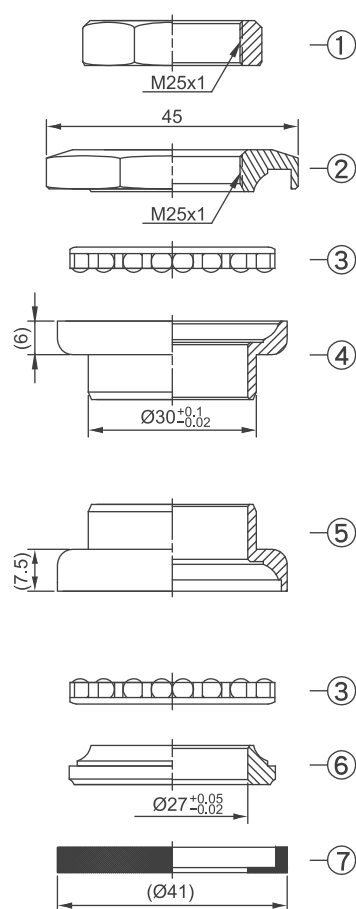
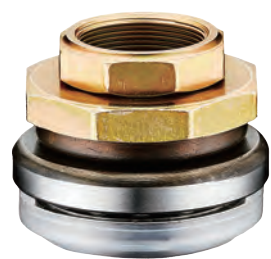


堆積高度 (STACK HEIGHT) = 39 ± 1 mm

NO.	零件名稱 PART NAME	材質 MATERIAL	圖號 DRAWING NO.	台量 Q'TY	尺寸 DIM. DESCRIPTION
1	防水上迫緊 LOCK NUT WITH SEAL	碳鋼 STEEL	841SW-1	1	BC 1-1/8"x26T
2	有領華司 KEY WASHER	碳鋼 STEEL	SK3402	1	2txOD34(1-1/8")
3	上塞 ADJUSTING CONE	碳鋼 STEEL	841-3	1	BC 1-1/8"x26T
4	珠巢 BALL RETAINER	碳鋼 STEEL		1	5/32"x22
5	上碗 UPPER CUP	碳鋼 STEEL	841-4	1	Ø34 <sup>+0.15</sup> <sub>-0</sub>
6	下碗 LOWER CUP	碳鋼 STEEL	856-5	1	Ø34 <sup>+0.15</sup> <sub>-0</sub>
7	條珠珠巢 NEEDLE BEARING	碳鋼 STEEL		1	Ø2.5x22
8	防水圈 RUBBER SEAL	橡膠 NBR	856-8	1	
9	下塞 CROWN RACE	碳鋼 STEEL	856-6	1	Ø30 <sup>+0</sup> <sub>-0.1</sub>

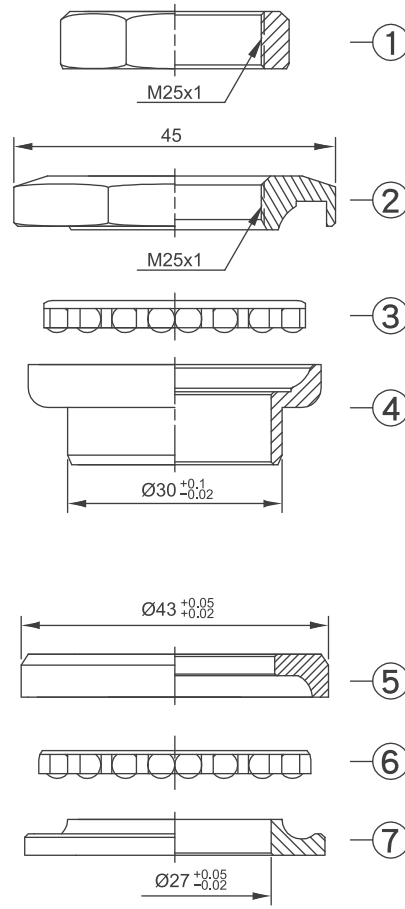
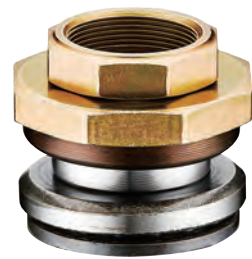


# HE8001



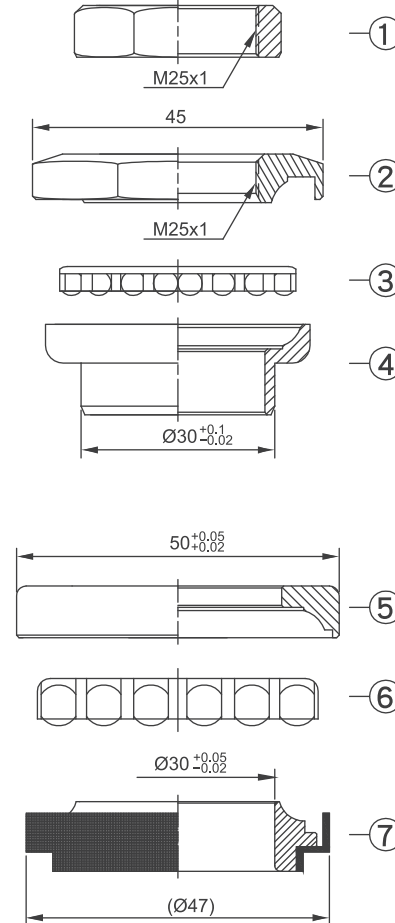
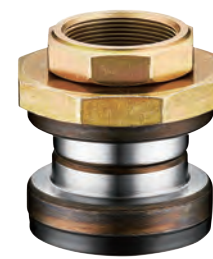
NO.	零件名稱 PART NAME	材質 MATERIAL	圖號 DRAWING NO.	台量 Q' TY	尺寸 DIM. DESCRIPTION
1	上迫緊 LOCK NUT	碳鋼 STEEL	8001-1	1	M25xP1
2	上塞 ADJUSTING CONE	碳鋼 STEEL	8001-3	1	M25xP1
3	珠巢 BALL RETAINER	碳鋼 STEEL		2	5/32"x20
4	上碗 UPPER CUP	碳鋼 STEEL	8001-4	1	Ø30 <sup>+0.1</sup> / <sub>+0.02</sub>
5	下碗 LOWER CUP	碳鋼 STEEL	8001-5	1	Ø30 <sup>+0.1</sup> / <sub>+0.02</sub>
6	下塞 CROWN RACE	碳鋼 STEEL	8001-6	1	Ø27 <sup>+0.05</sup> / <sub>-0.02</sub>
7	防塵蓋 DUST-RESISTANT COVER	塑膠 NYLON	8001-7	1	(Ø41)

# HE8002



NO.	零件名稱 PART NAME	材質 MATERIAL	圖號 DRAWING NO.	台量 Q' TY	尺寸 DIM. DESCRIPTION
1	上迫緊 LOCK NUT	碳鋼 STEEL	8001-1	1	M25xP1
2	上塞 ADJUSTING CONE	碳鋼 STEEL	8001-3	1	M25xP1
3	珠巢 BALL RETAINER	碳鋼 STEEL		1	5/32"x20
4	上碗 UPPER CUP	碳鋼 STEEL	8001-4	1	Ø30 <sup>+0.1</sup> / <sub>+0.02</sub>
5	下碗 LOWER CUP	碳鋼 STEEL	8002-5	1	Ø43 <sup>+0.05</sup> / <sub>+0.02</sub>
6	珠巢 BALL RETAINER	碳鋼 STEEL		1	3/16"x18B
7	下塞 CROWN RACE	碳鋼 STEEL	8002-6	1	Ø27 <sup>+0.05</sup> / <sub>-0.02</sub>

# HE8003



NO.	零件名稱 PART NAME	材質 MATERIAL	圖號 DRAWING NO.	台量 Q' TY	尺寸 DIM. DESCRIPTION
1	上迫緊 LOCK NUT	碳鋼 STEEL	8001-1	1	M25xP1
2	上塞 ADJUSTING CONE	碳鋼 STEEL	8001-3	1	M25xP1
3	珠巢 BALL RETAINER	碳鋼 STEEL		1	5/32"x20
4	上碗 UPPER CUP	碳鋼 STEEL	8001-4	1	Ø30 <sup>+0.1</sup> / <sub>+0.02</sub>
5	下碗 LOWER CUP	碳鋼 STEEL	8003-5	1	Ø50 <sup>+0.05</sup> / <sub>+0.02</sub>
6	珠巢 BALL RETAINER	碳鋼 STEEL		1	1/4"x15B
7	下塞 CROWN RACE	碳鋼+塑膠 STEEL+NYLON	8003-6	1	Ø30 <sup>+0.05</sup> / <sub>-0.02</sub>



# ACCESSORIES



## 配件



### H361 Alloy Cover

HEIGHT 高度	31mm
WEIGHT 重量	31g
FINISH 表面處理	Silver,BK
	Alloy Cover for 1-1/8"
SIZE 尺寸	Threaded Headset
DIMENSIONS 孔徑	Φ25.4



### H361H Alloy Cover

HEIGHT 高度	31mm
WEIGHT 重量	35.5g
FINISH 表面處理	Silver,BK
	Alloy Cover for 1-1/8"
SIZE 尺寸	Threaded Headset
DIMENSIONS 孔徑	Φ25.4



### H361HA Alloy Cover

HEIGHT 高度	31mm
WEIGHT 重量	58.5g
FINISH 表面處理	Silver,BK
	Alloy Cover for 1-1/8"
SIZE 尺寸	Threadless Headset
DIMENSIONS 孔徑	Φ28.6



### H128H(1-1/8") Alloy Cover

HEIGHT 高度	27.4mm
WEIGHT 重量	19g
FINISH 表面處理	Silver,BK
	Alloy Cover for 1-1/8"
SIZE 尺寸	Threaded Headset
	Φ25.4
DIMENSIONS 孔徑	Machined Window for Front Bracket
OPTIONAL 可選配: H127H(1") ALLOY COVER	Size:Alloy Cover for 1" Threaded Headset Dimensions:Φ22.2



### H128 Alloy Cover

HEIGHT 高度	27.4mm
WEIGHT 重量	19g
FINISH 表面處理	Silver,BK
	Alloy Cover for 1-1/8"
SIZE 尺寸	Threaded Headset
DIMENSIONS 孔徑	Φ25.4
OPTIONAL 可選配: H127H(1") ALLOY COVER	Size:Alloy Cover for 1" Threaded Headset Dimension:Φ22.2



### H128 Plastic Cover

HEIGHT 高度	26.4mm
WEIGHT 重量	11.2g
FINISH 表面處理	BK
	Plastic Cover for 1-1/8"
SIZE 尺寸	Threaded Headset
DIMENSIONS 孔徑	Φ25.4
OPTIONAL 可選配: H127(1") PLASTIC COVER	Size:plastic cover for 1" Threaded headset Dimensions:Φ22.2





### C286G/C254G

FINISH	表面處理	Silver, Black 銀/黑
SIZE	尺寸	1-1/8"
COMPONENT	內容物	Alloy Top Cap 鋁頂蓋 Alloy Body 鋁本體
FORK TUBE ID	立管內徑	Ø22-Ø25.4
DEPTH OF BODY	本體長	18mm C254G Size: 1"
OPTIONAL	可選配	Fork Tube ID 頭管內徑:20-22.2mm
WEIGHT	重量	C286G:42g, C254G:39.4g



### C286GC/C254GC

FINISH	表面處理	Carbon Finish 碳纖維
SIZE	尺寸	1-1/8"
COMPONENT	內容物	Carbon Top Cap 碳纖維頂蓋 Alloy Body 鋁本體
FORK TUBE ID	立管內徑	Ø22-Ø25.4
DEPTH OF BODY	本體長	18mm C254GC Size: 1"
OPTIONAL	可選配	Fork Tube ID 立管內徑:20-22.2mm
WEIGHT	重量	C286GC:38.6g, C254GC:35g



### C2861/C2541

FINISH	表面處理	Silver, Black 銀/黑
SIZE	尺寸	1-1/8"
COMPONENT	內容物	Alloy Top Cap 鋁頂蓋 Star Washer 碟片 Steel or Stainless Bolt 鐵或白鐵螺絲
OPTIONAL	可選配	M6xP1.0x30L C2541 Size: 1"
WEIGHT	重量	C2861:24.6g C2541:23.5g



### C2861DC

FINISH	表面處理	Two Tone Color 雙色
SIZE	尺寸	1-1/8"
COMPONENT	內容物	Alloy Top Cap 鋁頂蓋 Star Washer 碟片 Steel or Stainless Bolt 鐵或白鐵螺絲
WEIGHT	重量	M6xP1.0x30L 23.7g



### C286GX/C254GX

FINISH	表面處理	Silver, Black 銀/黑
SIZE	尺寸	1-1/8"
COMPONENT	內容物	Alloy Top Cap 鋁頂蓋 Alloy Body 鋁本體
FORK TUBE ID	立管內徑	Ø22-Ø25.4
DEPTH OF BODY	本體長	32mm C254GX Size: 1"
OPTIONAL	可選配	Fork Tube ID 立管內徑:20-22.2mm
WEIGHT	重量	C286GX:50.9g, C254GX:44.7g



### C286GCX/C254GCX

FINISH	表面處理	Carbon Finish 碳纖維
SIZE	尺寸	1-1/8"
COMPONENT	內容物	Carbon Top Cap 碳纖維頂蓋 Alloy Body 鋁本體
FORK TUBE ID	立管內徑	Ø22-Ø25.4
DEPTH OF BODY	本體長	32mm C254GCX Size: 1"
OPTIONAL	可選配	Fork Tube ID 立管內徑:20-22.2mm
WEIGHT	重量	C286GCX:47.5g, C254GCX:39.3g



### C2861C/C2541C

FINISH	表面處理	Carbon Finish 碳纖維
SIZE	尺寸	1-1/8"
COMPONENT	內容物	Carbon Top Cap 碳纖維頂蓋 Star Washer 碟片 Steel or Stainless Bolt 鐵或白鐵螺絲
OPTIONAL	可選配	M6xP1.0x30L C2541C Size: 1"
WEIGHT	重量	C2861C:21.5g C2541C:20.5g



### C2869/C2549

FINISH	表面處理	Silver, Black 銀/黑
SIZE	尺寸	1-1/8"
COMPONENT	內容物	Alloy Top Cap 鋁頂蓋 Star Washer 碟片 Steel Hollow Bolt 鐵空心螺絲
OPTIONAL	可選配	M10xP1.25 C2549 Size: 1"
WEIGHT	重量	Ø28.6/25.4 C2869:37.9g ; C2549:36.3g



### C286GL

FINISH	表面處理	Silver, Black 銀/黑
SIZE	尺寸	1-1/8"
COMPONENT	內容物	Alloy Top Cap 鋁頂蓋 Alloy Body 鋁本體
FORK TUBE ID	立管內徑	Ø22-Ø25.4
DEPTH OF BODY	本體長	52mm
WEIGHT	重量	64.3g



### C286GCL

FINISH	表面處理	Carbon Finish 碳纖維
SIZE	尺寸	1-1/8"
COMPONENT	內容物	Carbon Top Cap 碳纖維頂蓋 Alloy Body 鋁本體
FORK TUBE ID	立管內徑	Ø22-Ø25.4
DEPTH OF BODY	本體長	52mm
WEIGHT	重量	61.4g



### C2861TT/C2861TS

FINISH	表面處理	Silver, Black 銀/黑
SIZE	尺寸	1-1/8"
COMPONENT	內容物	Alloy Top Cap 鋁頂蓋 Star Washer 碟片 Steel Bolt 鐵螺絲
OPTIONAL	可選配	M6xP1.0x30L C2861TT:29.4g C2861TS:28.9g
WEIGHT	重量	C2861TT:34mm C2861TS:32mm



### C2862D/C2542D

FINISH	表面處理	Silver, Black 銀/黑
SIZE	尺寸	1-1/8"
COMPONENT	內容物	Alloy Top Cap 鋁頂蓋 Star Washer 碟片 Steel Bolt 鐵螺絲
OPTIONAL	可選配	M6xP1.0x30L C2542D Size: 1"
WEIGHT	重量	C2862D 22.4g ; C2542D:21.4g



### C371

FINISH	表面處理	Silver, Black 銀/黑
SIZE	尺寸	1-1/8"
Alloy Top Cap 鋁頂蓋 Star Washer 碟片 Steel Bolt 鐵螺絲		
COMPONENT	內容物	M6xP1.0x30L
FORK TUBE OD/ID	立管外徑內徑	Ø28.6/Ø25.4
WEIGHT	重量	24g



### C2870

FINISH	表面處理	Silver, Black 銀/黑
SIZE	尺寸	1-1/8"
Alloy Top Cap 鋁頂蓋 Star Washer 碟片 Stainless Bolt 白鐵螺絲		
COMPONENT	內容物	M6xP1.0x30L
FORK TUBE OD/ID	立管外徑內徑	Ø28.6/Ø25.4
WEIGHT	重量	22.1g



### C371F

FINISH	表面處理	Silver, Black 銀/黑
SIZE	尺寸	1-1/8"
Alloy Top Cap 鋁頂蓋 Star Washer 碟片 Steel Bolt 鐵螺絲		
COMPONENT	內容物	M6xP1.0x30L
FORK TUBE OD/ID	立管外徑內徑	Ø28.6/25.4
WEIGHT	重量	27g



### ALLOY SPACER-CC

MATERIAL	材質	AL6061/T6
FORK TUBE O.D.	立管外徑	1-1/8" (28.6mm)
SPACER O.D.	墊片外徑	34mm
DEPTH OF BODY	厚度	2.5/5/10/15/20mm



### ALLOY SPACER

MATERIAL	材質	AL6061/T6
FORK TUBE O.D.	立管外徑	1-1/8" (28.6mm)/1" (25.4mm)
SPACER O.D.	墊片外徑	36mm(1-1/8" )/32mm(1" )
DEPTH OF BODY	厚度	2/5/8/10/15/20mm



### CARBON SPACER

MATERIAL	材質	CARBON FIBER
FORK TUBE O.D.	立管外徑	1-1/8" (28.6mm)/1" (25.4mm)
SPACER O.D.	墊片外徑	35mm(1-1/8" )/31mm(1" )
DEPTH OF BODY	厚度	3/5/8/10/15/20mm



### C203

#### INNER & OUTER EXPANDER

FINISH	表面處理	Silver, Black 銀/黑
SIZE	尺寸	1-1/8"
Alloy Top Cap 鋁頂蓋 Expander Bolt 加長型螺絲		
COMPONENT	內容物	M6xP1.0x200L



### C204

#### INNER & OUTER EXPANDER

FINISH	表面處理	Silver, Black 銀/黑
SIZE	尺寸	1-1/8"
Alloy Top Cap 鋁頂蓋 Expander Bolt 加長型螺絲		
COMPONENT	內容物	M6xP1.0x200L



### ALLOY SPACER-R

#### ALLOY SPACERS WITH RADIUS OUTER LOOK

MATERIAL	材質	AL6061/T6
1-1/8" (28.6mm)/		
FORK TUBE O.D.	立管外徑	1" (25.4mm)
SPACER O.D.	墊片外徑	36mm(1-1/8" )/32mm(1" )
DEPTH OF BODY	厚度	5/10/15/20mm



### ALLOY SPACER-DC

#### ALLOY SPACERS WITH TWO TONE FINISH

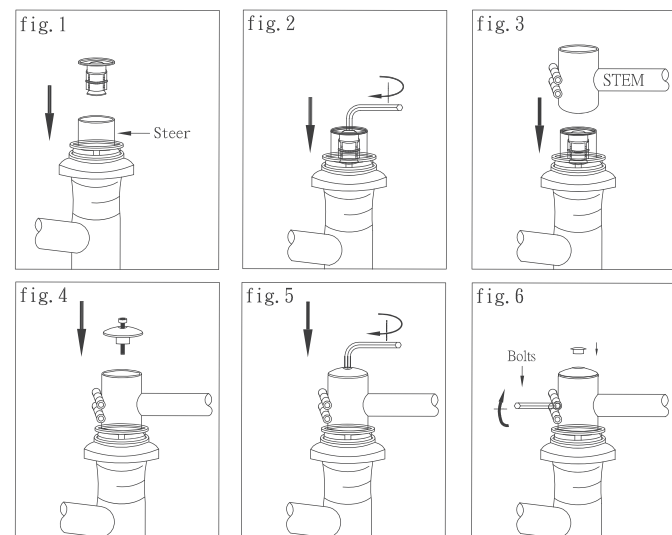
MATERIAL	材質	AL6061/T6
FORK TUBE O.D.	立管外徑	1-1/8" (28.6mm)
SPACER O.D.	墊片外徑	35mm
DEPTH OF BODY	厚度	5/10mm

## 286G 系列組拆裝說明

### Assembly of Tension Adjust

Assembling description, please see the illustration as below:

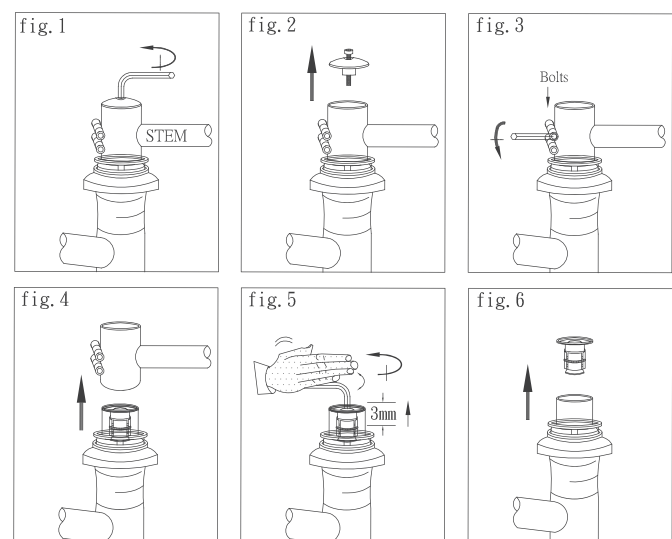
1. Put the fixer of Tension Adjust (T.A.) on the steer. see fig. 1.
2. Use the allen key(6mm) to screw in allen bolt tight to be very firmly. (recommended torque about 10 N.M ; 98kg-cm) see fig. 2.
3. Put the stem on the steer. see fig. 3.
4. Put the alloy cap of T.A. on the stem. see fig. 4.
5. Use the allen key to screw in the bolt of alloy cap tight. (recommended torque about 8N.M ; 78kg-cm) see fig. 5.
6. Use the allen key to screw in the bolts of stem tight to be very firmly, see fig. 6. (if enclosed with rubber cover, place the rubber cap in the allen bolt.)



### Disassembly of Tension Adjust

Disassembling description, please see the illustration as below:

1. (If enclosed with rubber cover, remove the rubber cap from the allen bolt.) Use the allen key to unscrew the bolt of alloy cap. see fig. 1, and take it out. see fig. 2.
2. Use the allen key to unscrew the bolts of stem. see fig. 3, and take it out. see fig. 4.
3. Use the allen key(6mm) to unscrew the fixer of T.A. until it is about 3mm above the steer. see fig. 5. Then use your palm to hit lightly until it come off the steer, and take it out. see fig. 6.

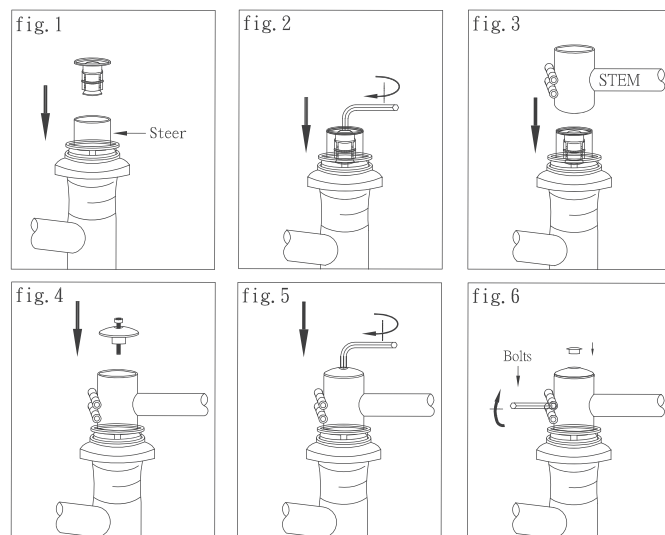


Warning: Always ensure all bolts are secured tightly before riding, if you are unclear about the installation and adjustment of this product, your headset or stem, see your professional bicycle dealer for advice. If you have questions about threadless headset assembling instruction please contact your local dealers.

### 上迫緊器組裝方法

請見以下組裝說明:

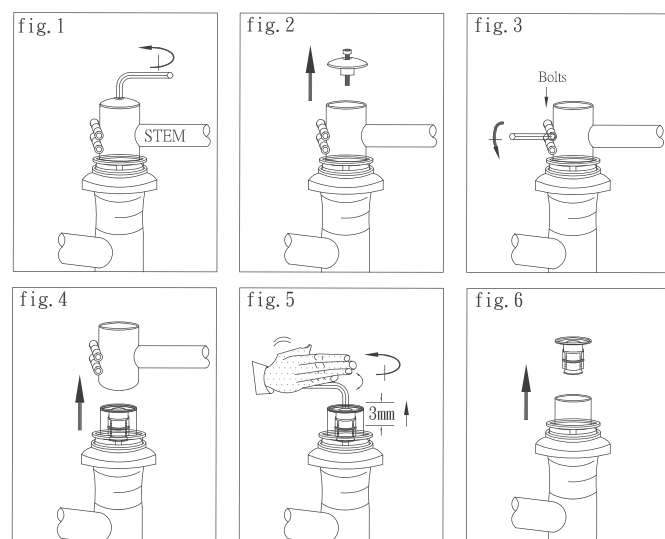
1. 將下迫緊件放入前叉豎管內, 如fig. 1.
2. 使用內六角板手(6mm)將下迫緊件鎖緊至適當鬆緊度. (建議扭力約10N.M; 98kg-cm) 如fig. 2.
3. 放入車手立管, 如fig. 3.
4. 放入上迫緊件(鋁蓋+螺絲), 如fig. 4.
5. 使用內六角板手將上迫緊件鎖緊至適當鬆緊度 (建議扭力約8N.M; 78kg-cm) 如fig. 5.
6. 使用內六角板手將車手立管上螺絲 緊至適當鬆緊度, 如fig. 6. (若有附上橡膠上蓋, 則將橡膠上蓋壓入螺絲六角孔內.)



### 上迫緊器拆卸方法

請見以下拆卸說明:

1. (若有附上橡膠上蓋, 則將橡膠上蓋自螺絲六角孔內取出.) 使用內六角板手將上迫緊件上的螺絲放鬆, 如fig. 1, 然後將上迫緊件取出 如 fig. 2.
2. 使用內六角板手將車手立管上螺絲放鬆, 如fig. 3, 然後將手立管取出, 如fig. 4. (如果前叉不換時, 可不執行第三步驟)
3. 使用內六角板手(6mm)將下迫緊件放鬆, 直到下迫緊器上移為3mm (相對於前叉立管的高度), 如fig. 5, 然後用手掌拍打下緊迫件, 直到整個下緊迫件不再緊貼前叉豎管, 然後取出, 如fig. 6.



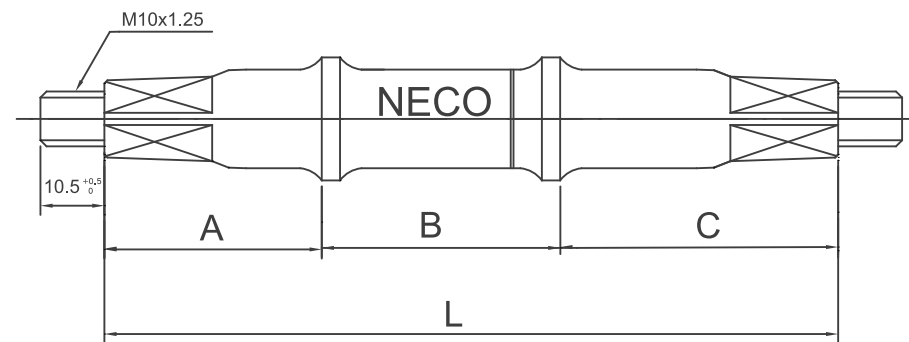
注意事項: 騎行前請注意所有螺絲件是否有鎖緊, 若你不是很了解產品的組裝或調整方式 包括你的車頭碗組及車手立管, 請洽專業的自行車店給予協助. 對於組裝說明有任何疑問或問題, 請洽詢專業的自行車店提供協助.

# BOTTOM BRACKET B.B.

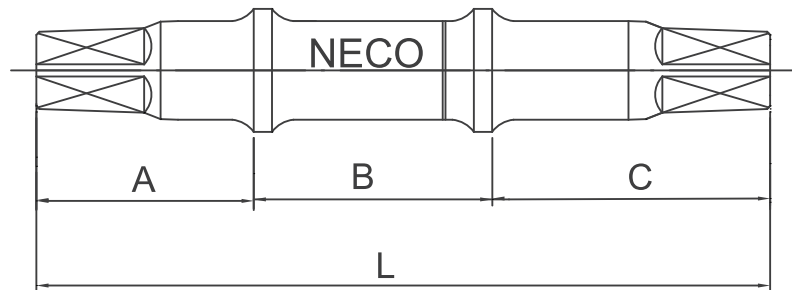


五通碗組

外牙中軸  
**Nut Type Cotterless Axle**



內牙中軸  
**Bolt Type Cotterless Axle**



內外牙中軸尺寸圖

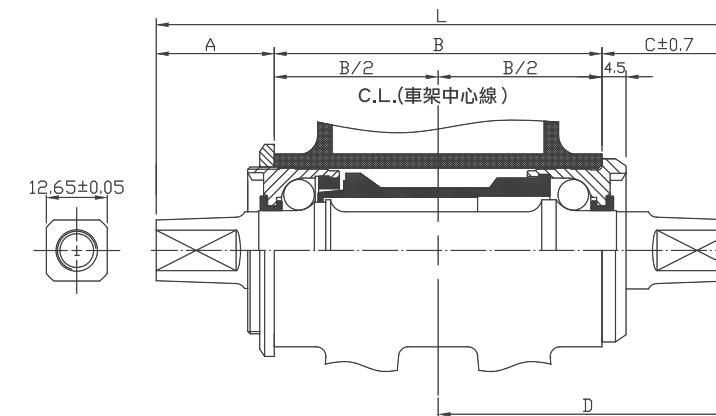
**Bolt/Nut Type Axle Dimension Chart**

AXLE MODEL	3H	3E	3M	3J	3L	3A	3P	3PL	3N	3NL	3SS	3S	3T	3U	3UM	3R	3RM	3RMC	3MC
BRACKET WIDTH	68	68	68	68	68	68	68	68	68	68	68	68	68	68	68	68	68	68	68
A	28	28	29	30.5	32	32	32	35	32	35	32	35	35	35	37.5	35	37.5	40.5	32
B	52	52	52	52	52	52	52	52	52	52	52	52	52	52	52	52	52	52	52
C	28	30.5	29	30.5	32	33.5	35	35	36	36	37.5	37.5	39	40.5	40.5	42	42	42	43.5
L	108.0	110.5	110	113	116	117.5	119	122	120	123.0	121.5	124.5	126	127.5	130	129	131.5	134.5	127.5

AXLE MODEL	5A	5P	5SS	5S	5T	5U	5R	7J	7L	7A	7P	7PL	7N	7NN	7SS	7S	7T	7U	7R
BRACKET WIDTH	70	70	70	70	70	70	70	73	73	73	73	73	73	73	73	73	73	73	73
A	32	32	32	35	35	35	35	30.5	32	32	32	35	32	36	32	35	35	35	35
B	54	54	54	54	54	54	54	57	57	57	57	57	57	57	57	57	57	57	57
C	33.5	35	37.5	37.5	39	40.5	42	30.5	32	33.5	35	35	36	36	37.5	37.5	39	40.5	42
L	119.5	121.0	123.5	126.5	128	129.5	131	118	121	122.5	124	127	125	129	126.5	129.5	131	132.5	134

PS:橘字尺寸有最低訂購量限制。Orange Number Dimension,have MOQ limit.

**B906 / (B906E) / (B906B)**

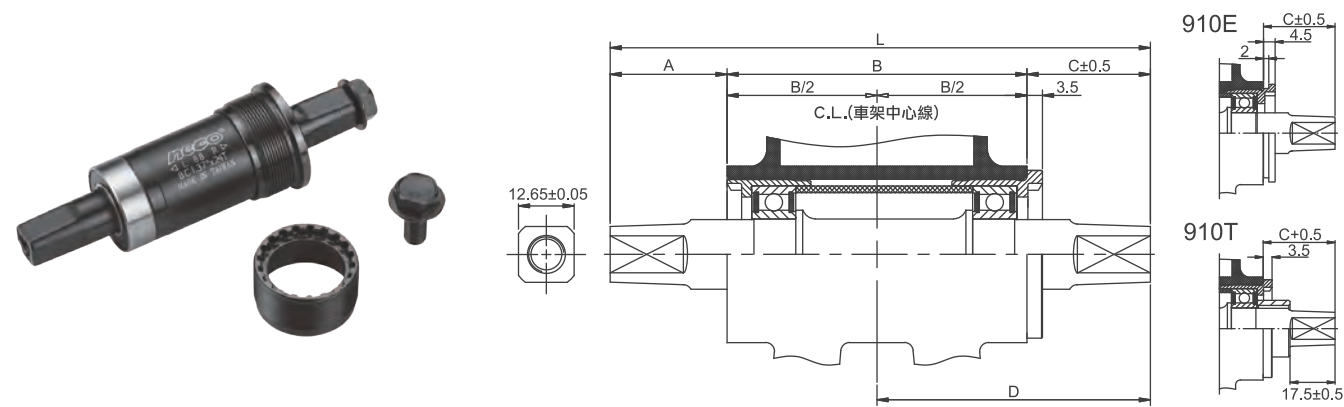


COMPONENTS	內容物	10B21 Spindle, Dust Seal & Pre-Lubed Cartridge Steel Cups, Plastic Body 鐵軸心, 防塵蓋, 卡式鐵牙碗, 塑膠中管
LOCKING RING COLOR	鎖環顏色	Black 黑
CUP COLOR	碗顏色	Black 黑
APPLICATIONS	適合車種	MTB 登山車, Road 公路車
WEIGHT(LENGTH122.5)	重量(長度122.5)	B906/315g
Threads	牙紋規格	BC 1.37"x24T R/L(B906/B906E) BC 36mmx24T R/R(B906B)
Steel cups	鐵左右碗	B906/B906B
E-type steel cup	鐵左右碗,右碗為 E-type	E-type(B906E)

AXLE MODEL 中軸代號	AXLE LENGTH 中軸長度	B.B. SHELL WIDTH=68mm 五通管寬度 68mm				B.B. SHELL WIDTH=70mm 五通管寬度 70mm			
		L	A	B	C	D	A	B	C
2H	108.0(29.0/50/29.0)	20.5	68	19.5	53.5	18.5	70	19.5	54.5
2M	111.0(30.5/50/30.5)	22.0	68	21.0	55.0	20.0	70	21.0	56.0
2J	113.5(31.5/50/32.0)	23.0	68	22.5	56.5	21.0	70	22.5	57.5
2L	116.0(33.0/50/33.0)	24.5	68	23.5	57.5	22.5	70	23.5	58.5
2A	118.0(33.0/50/35.0)	24.5	68	25.5	59.5	22.5	70	25.5	60.5
2P	119.0(33.0/50/36.0)	24.5	68	26.5	60.5	22.5	70	26.5	61.5
2N	120.5(33.0/50/37.5)	24.5	68	28.0	62.0	22.5	70	28.0	63.0
2SS	122.0(33.0/50/39.0)	24.5	68	29.5	63.5	22.5	70	29.5	64.5
2NL	122.5(35.0/50/37.5)	26.5	68	28.0	62.0	24.5	70	28.0	63.0
2S	125.0(36.0/50/39.0)	27.5	68	29.5	63.5	25.5	70	29.5	64.5
2T	126.5(36.0/50/40.5)	27.5	68	31.0	65.0	25.5	70	31.0	66.0
2U	128.0(36.0/50/42.0)	27.5	68	32.5	66.5	25.5	70	32.5	67.5
2R	129.5(36.0/50/43.5)	27.5	68	34.0	68.0	25.5	70	34.0	69.0
2UM	131.0(39.0/50/42.0)	30.5	68	32.5	66.5	28.5	70	32.5	67.5
2RMC	135.5(42.0/50/43.5)	33.5	68	34.0	68.0	31.5	70	34.0	69.0

PS:橘字尺寸有最低訂購量限制。Orange Number Dimension,have MOQ limit.

**B910/(B910E)/(B910P)/(B910B)/  
(B910PP)/(B910T)/(B910TE)/(B910PPT)**

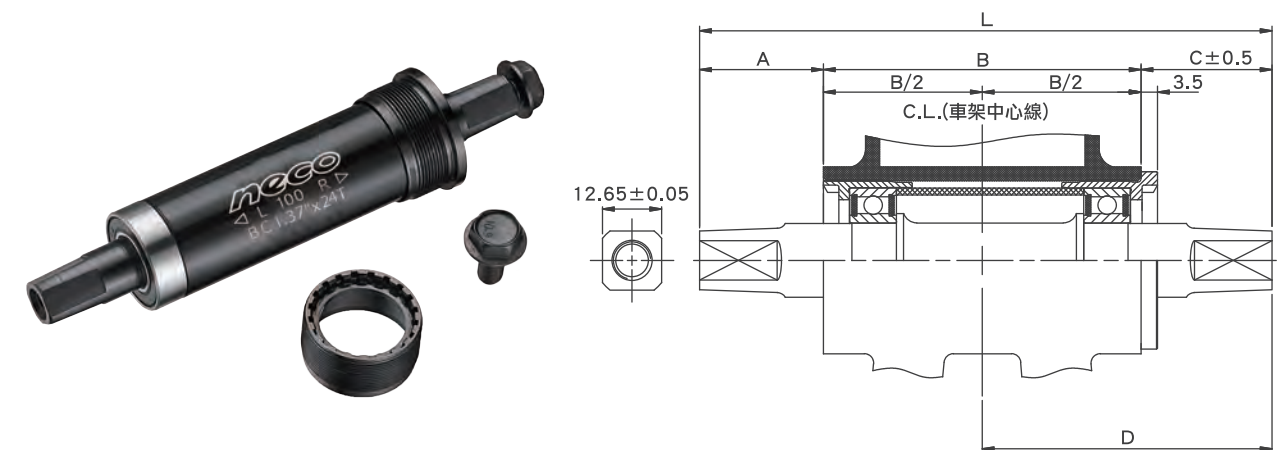


COMPONENTS	內容物	10B21 Spindle & Steel cups, Steel Body, Sealed Bearing 2pcs 鐵軸心, 鐵牙碗, 鐵中管, 培林x2
CUP COLOR	碗顏色	Black 黑
APPLICATIONS	適合車種	MTB 登山車, Road 公路車
WEIGHT(LENGTH122.5)	重量(長度122.5)	B910/312.6g, B910P/292g, B910PP/266g
Threads	牙紋規格	BC 1.37"x24T R/L(B910/B910E/B910P/B910PP) BC 36mmx24T R/R(B910B)
Steel cups	鐵左右碗	B910/B910B
Steel right cup & nylon left cup	鐵右碗, 塑鋼左碗	B910P
Nylon cups	塑鋼左右碗	B910PP
E-type steel cup	鐵左右碗, 右碗為 E-type	B910E
Alloy tube	鋁檔管	B910T

LENGTH 中軸長度	B.B. SHELL WIDTH=68mm 五通管寬度 68mm				B.B. SHELL WIDTH=70mm 五通管寬度 70mm				B.B. SHELL WIDTH=73mm 五通管寬度 73mm				
	L	A	B	C	D	A	B	C	D	A	B	C	D
103.0	(16.5)	68	18.5	52.5									
107.5	(19.0)	68	20.5	54.5									
110.5	(22.0)	68	20.5	54.5	(21.0)	70	19.5	54.5					
113.5	(22.5)	68	23.0	57.0	(21.5)	70	22.0	57.0	(20.0)	73	20.5	57.0	
115.0	(23.0)	68	24.0	58.0	(22.0)	70	23.0	58.0	(20.5)	73	21.5	58.0	
116.0	(23.0)	68	25.0	59.0	(22.0)	70	24.0	59.0	(20.5)	73	22.5	59.0	
118.0	(25.0)	68	25.0	59.0	(24.0)	70	24.0	59.0	(22.5)	73	22.5	59.0	
119.0	(24.0)	68	27.0	61.0	(23.0)	70	26.0	61.0	(21.5)	73	24.5	61.0	
122.5	(26.0)	68	28.5	62.5	(25.0)	70	27.5	62.5	(23.5)	73	26.0	62.5	
124.5	(27.0)	68	29.5	63.5	(26.0)	70	28.5	63.5	(24.5)	73	27.0	63.5	
126.0	(27.0)	68	31.0	65.0	(26.0)	70	30.0	65.0	(24.5)	73	28.5	65.0	
127.5	(28.5)	68	31.0	65.0	(27.5)	70	30.0	65.0	(26.0)	73	28.5	65.0	
131.0	(29.0)	68	34.0	68.0	(28.0)	70	33.0	68.0	(26.5)	73	31.5	68.0	
134.0	(30.0)	68	36.0	70.0	(29.0)	70	35.0	70.0	(27.5)	73	33.5	70.0	
147.0	(36.0)	68	41.0	75.0									

PS:橘字尺寸有最低訂購量限制。Orange Number Dimension,have MOQ limit.

**B911 / (B911E)**

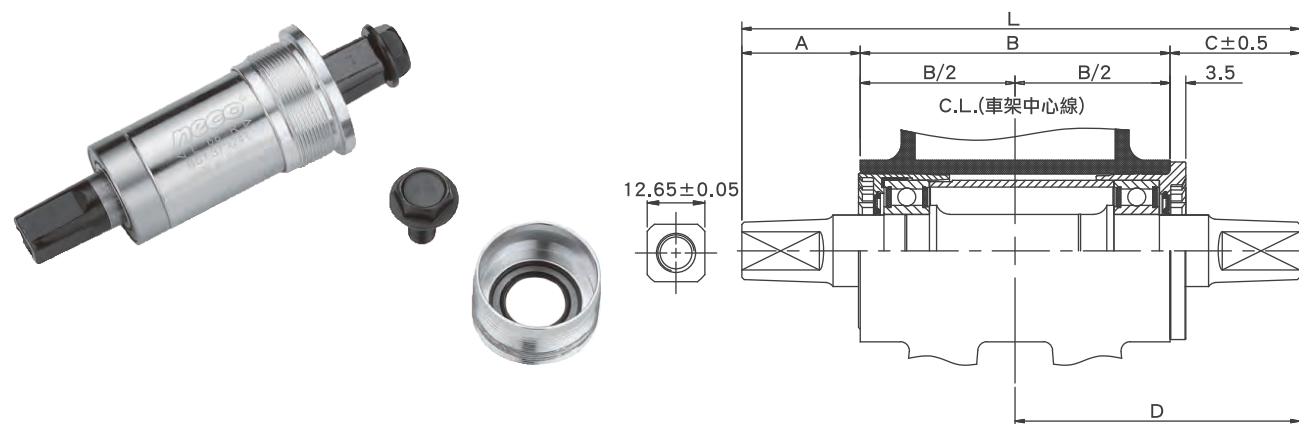


COMPONENTS	內容物	10B21 Spindle & Steel cups, Steel Body, Sealed Bearing 2pcs 鐵軸心, 鐵牙碗, 鐵中管, 培林x2
CUP COLOR	碗顏色	Black 黑
APPLICATIONS	適合車種	Fat Bike 雪地車
WEIGHT(LENGTH179.5)	重量(長度179.5)	B911/458g
Threads	牙紋規格	BC 1.37"x24T R/L
E-type steel cup	鐵左右碗, 右碗為 E-type	B911E

LENGTH 中軸長度	B.B. SHELL WIDTH=100mm 五通管寬度 100mm				B.B. SHELL WIDTH=120mm 五通管寬度 120mm				B.B. SHELL WIDTH=130mm 五通管寬度 130mm				
	L	A	B	C	D	A	B	C	D	A	B	C	D
151.0	27.8	100	23.2	73.2									
159.5	30.8	100	28.7	78.7									
164.0	29.5	100	34.5	84.5									
167.0					28.5	120	18.5	78.5					
167.0					25.0	120	22.0	82.0					
167.0					22.0	120	25.0	85.0					
179.5					30.8	120	28.7	88.7					
177.0										22.0	130	25.0	90.0

PS:橘字尺寸有最低訂購量限制。Orange Number Dimension,have MOQ limit.

**B920 / (B920E) / (B920A) / (B920AAL) / (B920BAL)**

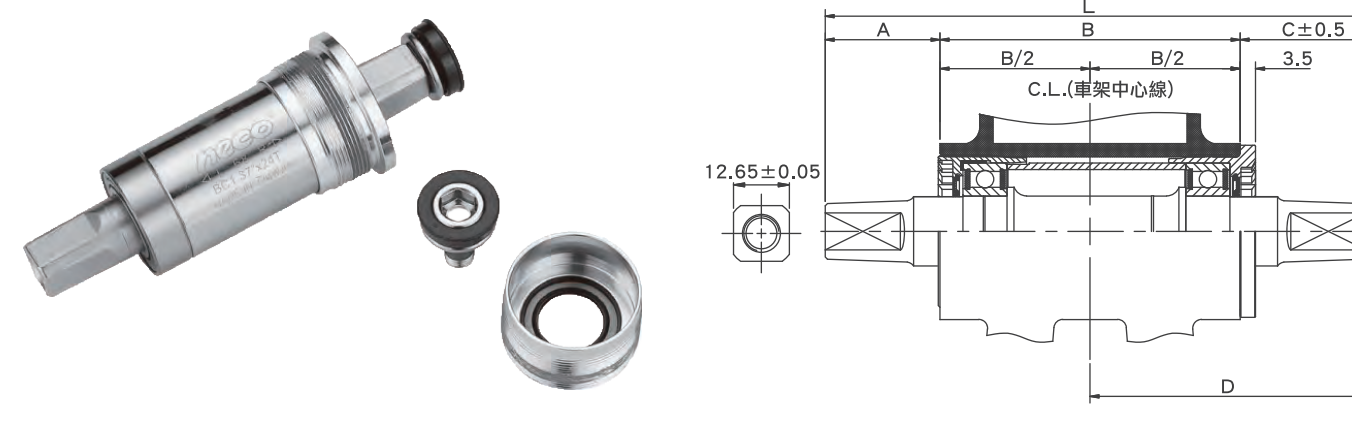


COMPONENTS	內容物	10B21 Axle & Alloy cups, Steel Body, Sealed Bearing 2pcs 鐵軸心, 鋁牙碗, 鐵中管, 培林x2
APPLICATIONS	適合車種	MTB 登山車, Road 公路車
WEIGHT(LENGTH122.5)	重量(長度122.5)	B920A/276g, B920AL/277g, B920AAL/250g

Threads	牙紋規格	BC 1.37"x24T R/L(B920/B920E/B920A/B920AAL) BC 36mmx24T R/R(B920BAL)
Alloy cups, Steel Body	鋁碗, 鐵中管	B920
Steel cups, Alloy Body	鐵碗, 鋁中管	B920A
Alloy cups, Alloy Body	鋁碗, 鋁中管	B920AAL
E-type alloy cup	鋁碗, 鐵中管, 右碗為 E-type	B920E

LENGTH 中軸長度	B.B. SHELL WIDTH=68mm 五通管寬度 68mm				B.B. SHELL WIDTH=70mm 五通管寬度 70mm				B.B. SHELL WIDTH=73mm 五通管寬度 73mm				
	L	A	B	C	D	A	B	C	D	A	B	C	D
103.0	(16.5)	68	18.5	52.5									
107.5	(19.0)	68	20.5	54.5									
110.5	(22.0)	68	20.5	54.5	(21.0)	70	19.5	54.5					
113.5	(22.5)	68	23.0	57.0	(21.5)	70	22.0	57.0	(20.0)	73	20.5	57.0	
115.0	(23.0)	68	24.0	58.0	(22.0)	70	23.0	58.0	(20.5)	73	21.5	58.0	
116.0	(23.0)	68	25.0	59.0	(22.0)	70	24.0	59.0	(20.5)	73	22.5	59.0	
118.0	(25.0)	68	25.0	59.0	(24.0)	70	24.0	59.0	(22.5)	73	22.5	59.0	
119.0	(24.0)	68	27.0	61.0	(23.0)	70	26.0	61.0	(21.5)	73	24.5	61.0	
122.5	(26.0)	68	28.5	62.5	(25.0)	70	27.5	62.5	(23.5)	73	26.0	62.5	
124.5	(27.0)	68	29.5	63.5	(26.0)	70	28.5	63.5	(24.5)	73	27.0	63.5	
126.0	(27.0)	68	31.0	65.0	(26.0)	70	30.0	65.0	(24.5)	73	28.5	65.0	
127.5	(28.5)	68	31.0	65.0	(27.5)	70	30.0	65.0	(26.0)	73	28.5	65.0	
131.0	(29.0)	68	34.0	68.0	(28.0)	70	33.0	68.0	(26.5)	73	31.5	68.0	

**B920HAL / (B920HBAL)**

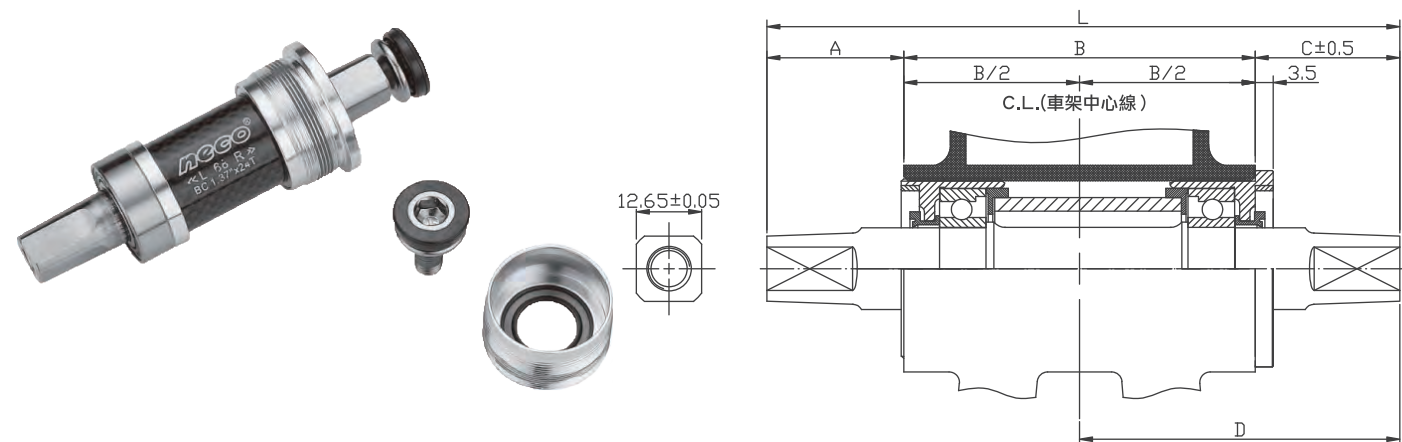


COMPONENTS	內容物	Cr-mo Stain Hollow Spindle & Alloy cups, Steel Body, Sealed Bearing 2pcs 鉻鉬鋼中空軸心, 鋁牙碗, 鐵中管, 培林x2
APPLICATIONS	適合車種	Trekking Bike 旅行車, Comfort Bike 城市車
WEIGHT(LENGTH122.5)	重量(長度122.5)	B920HAL/255g

Threads	牙紋規格	BC 1.37"x24T R/L(B920HAL) BC 36mmx24T R/R(B920HBAL)
---------	------	--

LENGTH 中軸長度	B.B. SHELL WIDTH=68mm 五通管寬度 68mm				B.B. SHELL WIDTH=70mm 五通管寬度 70mm				B.B. SHELL WIDTH=73mm 五通管寬度 73mm				
	L	A	B	C	D	A	B	C	D	A	B	C	D
107.5	(19.0)	68	20.5	54.5									
110.5	(22.0)	68	20.5	54.5	(21.0)	70	19.5	54.5					
113.5	(22.5)	68	23.0	57.0	(21.5)	70	22.0	57.0	(20.0)	73	20.5	57.0	
115.0	(23.0)	68	24.0	58.0	(22.0)	70	23.0	58.0	(20.5)	73	21.5	58.0	
116.0	(23.0)	68	25.0	59.0	(22.0)	70	24.0	59.0	(20.5)	73	22.5	59.0	
118.0	(25.0)	68	25.0	59.0	(24.0)	70	24.0	59.0	(22.5)	73	22.5	59.0	
119.0	(24.0)	68	27.0	61.0	(23.0)	70	26.0	61.0	(21.5)	73	24.5	61.0	
122.5	(26.0)	68	28.5	62.5	(25.0)	70	27.5	62.5	(23.5)	73	26.0	62.5	
127.5	(28.5)	68	31.0	65.0	(27.5)	70	30.0	65.0	(26.0)	73	28.5	65.0	
131.0	(29.0)	68	34.0	68.0	(28.0)	70	33.0	68.5	(26.5)	73	31.5	68.5	

### B940 / (B940E)

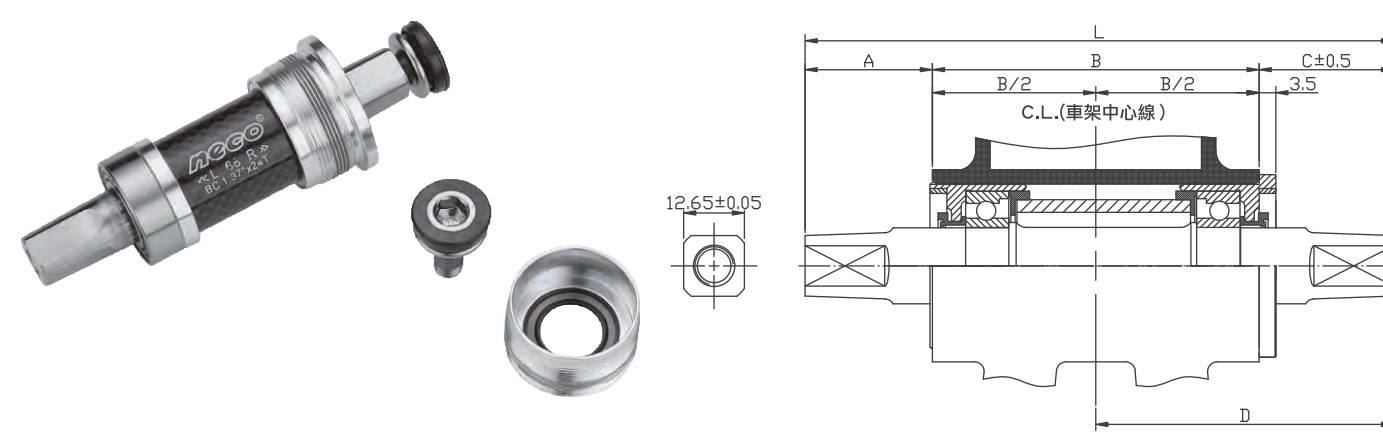


COMPONENTS	內容物	Cr-Mo Stain Hollow Spindle, Carbon Body & Alloy cups, Sealed Bearing 2pcs 鉻鉬鋼空心軸心, 碳纖維中管, 鋁碗, 培林x2
APPLICATIONS	適合車種	MTB 登山車, Road 公路車
WEIGHT(LENGTH122.5)	重量(長度122.5)	B940/228g

Threads	牙紋規格	BC 1.37"x24T R/L
E-type alloy cup	右碗為 E-type	B940E

LENGTH 中軸長度	B.B. SHELL WIDTH=68mm 五通管寬度 68mm				B.B. SHELL WIDTH=70mm 五通管寬度 70mm				B.B. SHELL WIDTH=73mm 五通管寬度 73mm				
	L	A	B	C	D	A	B	C	D	A	B	C	D
107.5	(19.0)	68	20.5	54.5									
110.5	(22.0)	68	20.5	54.5	(21.0)	70	19.5	54.5					
113.5	(22.5)	68	23.0	57.0	(21.5)	70	22.0	57.0	(20.0)	73	20.5	57.0	
115.0	(23.0)	68	24.0	58.0	(22.0)	70	23.0	58.0	(20.5)	73	21.5	58.0	
116.0	(23.0)	68	25.0	59.0	(22.0)	70	24.0	59.0	(20.5)	73	22.5	59.0	
118.0	(25.0)	68	25.0	59.0	(24.0)	70	24.0	59.0	(22.5)	73	22.5	59.0	
122.5	(26.0)	68	28.5	62.5	(25.0)	70	27.5	62.5	(23.5)	73	26.0	62.5	
127.5	(28.5)	68	31.0	65.0	(27.5)	70	30.0	65.0	(26.0)	73	28.5	65.0	

### B940CT

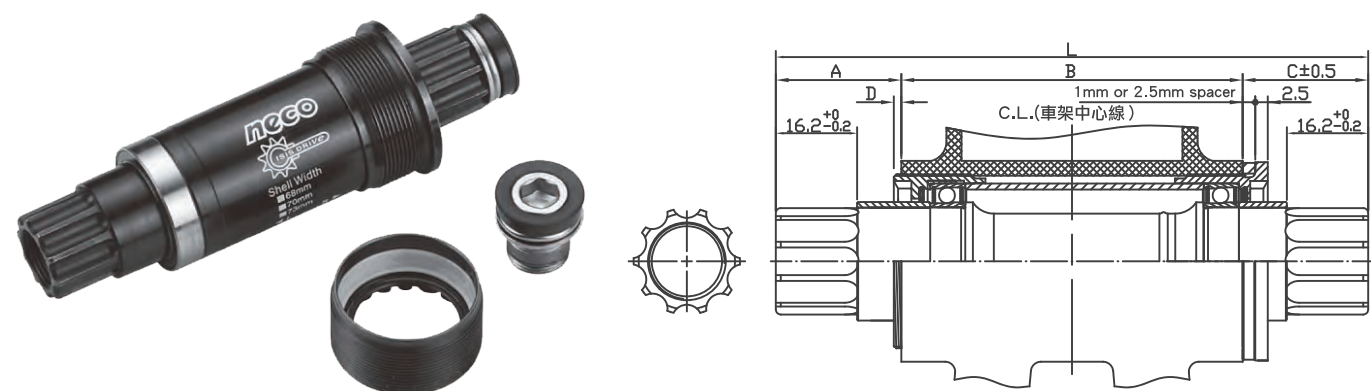


COMPONENTS	內容物	Titanium Hollow Axle, Carbon Body & Alloy cups, Sealed Bearing 2pcs 鈦空心軸心, 碳纖維中管, 鋁碗, 培林x2
APPLICATIONS	適合車種	MTB 登山車, Road 公路車
WEIGHT(LENGTH122.5)	重量(長度122.5)	158g

Threads	牙紋規格	BC 1.37"x24T R/L
---------	------	------------------

LENGTH 中軸長度	B.B. SHELL WIDTH=68mm 五通管寬度 68mm				B.B. SHELL WIDTH=70mm 五通管寬度 70mm				B.B. SHELL WIDTH=73mm 五通管寬度 73mm				
	L	A	B	C	D	A	B	C	D	A	B	C	D
103.0	(16.5)	68	18.5	52.5									
107.5	(19.0)	68	20.5	54.5									
110.5	(22.0)	68	20.5	54.5	(21.0)	70	19.5	54.5					
113.5	(22.5)	68	23.0	57.0	(21.5)	70	22.0	57.0	(20.0)	73	20.5	57.0	
115.0	(23.0)	68	24.0	58.0	(22.0)	70	23.0	58.0	(20.5)	73	21.5	58.0	
116.0	(23.0)	68	25.0	59.0	(22.0)	70	24.0	59.0	(20.5)	73	22.5	59.0	
118.0	(25.0)	68	25.0	59.0	(24.0)	70	24.0	59.0	(22.5)	73	22.5	59.0	
122.5	(26.0)	68	28.5	62.5	(25.0)	70	27.5	62.5	(23.5)	73	26.0	62.5	
127.5	(28.5)	68	31.0	65.0	(27.5)	70	30.0	65.0	(26.0)	73	28.5	65.0	

## B952

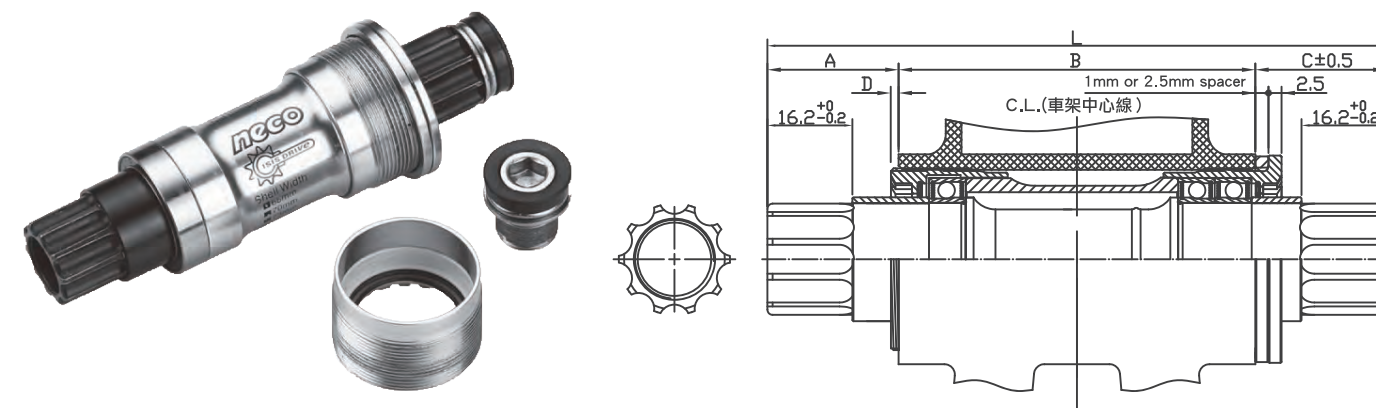


COMPONENTS	內容物	ISIS Spline Hollow Axle(SCM440), Cold Forged & CNC Machined Steel Cups, Steel Body, Sealed Bearing 2pcs 鉻鉬鋼中空軸心, 鐵碗, 鐵中管, 培林x2
WEIGHT(LENGTH118)	重量(長度118)	280g

Threads	牙紋規格	BC 1.37"x24T R/L
B.B Shell Width	五通管寬度	68mm, 73mm

LENGTH 中軸長度	B.B. SHELL WIDTH=68mm 五通管寬度 68mm				B.B. SHELL WIDTH=73mm 五通管寬度 73mm			BOLT THREAD 螺絲尺寸	
	L	A	B	C	D	A	B		C (w/o spacer)
108.0	20.0	68	20.0 (w/o SPACER)		0	Not Compatible (不相容)			M15xP1
113.0	22.5	68	22.5 (w/2.5mm spacer)		1.5	20.0	73	20.0	M15xP1
118.0	25.0	68	25.0(w/2.5mm spacer)		1.5	22.5	73	22.5	M15xP1
128.0	30.0	68	30.0(w/2.5mm spacer)		1.5	27.5	73	27.5	M12xP1
135.0	33.5	68	33.5(w/2.5mm spacer)		1.5	31.0	73	31.0	M12xP1

## B953



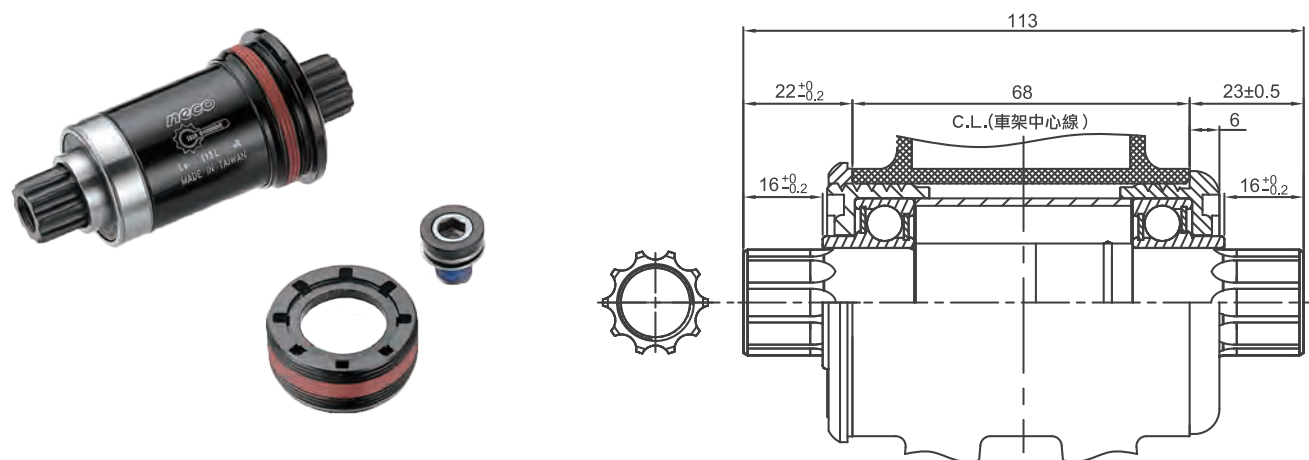
COMPONENTS	內容物	ISIS Spline Hollow Axle(SCM440) Cold Forged & CNC Machined Alloy Cups w/ Dust Seal, Alloy Body, Sealed Bearing 3pcs 鉻鉬鋼中空軸心, 鋁碗防塵套, 鋁中管, 培林x3
WEIGHT(LENGTH118)	重量(長度118)	242g

Threads	牙紋規格	BC 1.37"x24T R/L
B.B Shell Width	五通管寬度	68mm, 73mm

LENGTH 中軸長度	B.B. SHELL WIDTH=68mm 五通管寬度 68mm				B.B. SHELL WIDTH=73mm 五通管寬度 73mm			BOLT THREAD 螺絲尺寸	
	L	A	B	C	D	A	B		C (w/o spacer)
108.0	20.0	68	20.0 (w/o SPACER)		0	Not Compatible (不相容)			M15xP1
113.0	22.5	68	22.5 (w/2.5mm spacer)		1.5	20.0	73	20.0	M15xP1
118.0	25.0	68	25.0(w/2.5mm spacer)		1.5	22.5	73	22.5	M15xP1
128.0	30.0	68	30.0(w/2.5mm spacer)		1.5	27.5	73	27.5	M12xP1
135.0	33.5	68	33.5(w/2.5mm spacer)		1.5	31.0	73	31.0	M12xP1



## B957



COMPONENTS	內容物	ISIS Spline Hollow Axle(SCM440) Cold Forged& CNC Machined with Alloy Cups w/Dust Seal Alloy Body, Sealed Bearing 2pcs 鉻鉬鋼中空軸心, 鋁碗防塵套, 鋁中管, 培林x2
WEIGHT	重量	557g

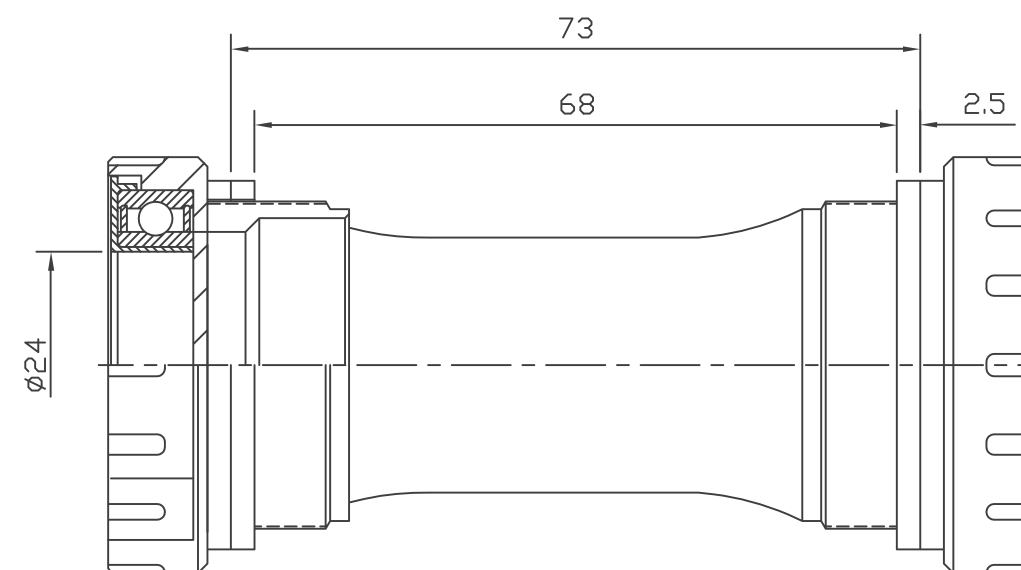
Threads	牙紋規格	M48xP1.5 R/L
B.B Shell Width	五通管寬度	68mm

LENGTH 中軸長度	B.B. SHELL WIDTH=68mm 五通管寬度 68mm			BOLT THREAD 螺絲尺寸
	L	A	B	
113.0	22	68	23	M12xP1

## BB401



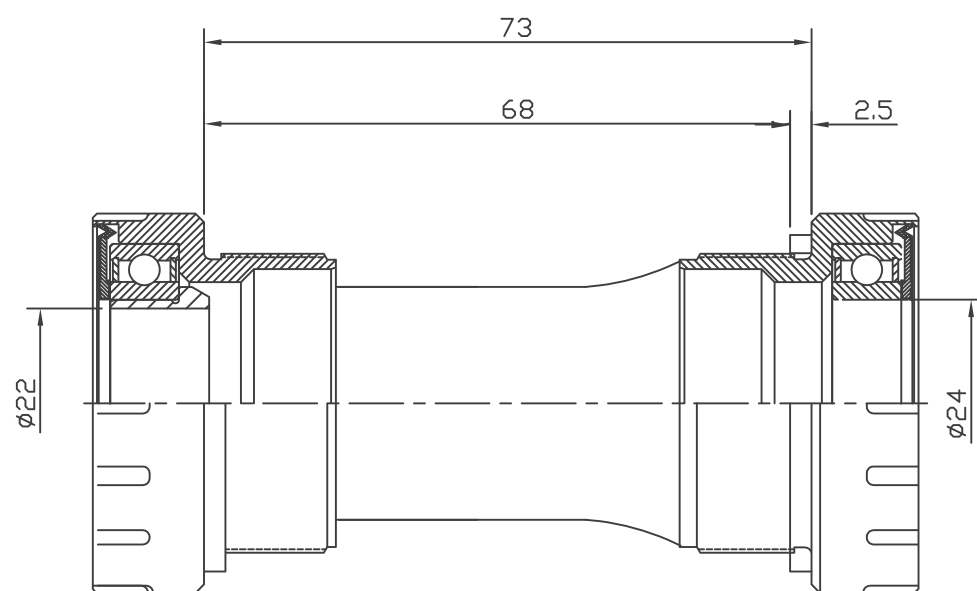
MATERIAL	材質	Forged Alloy & CNC Machined External Cups 鋁碗 Plastic Center Sleeve 塑膠中管
SIZE	尺寸	English Threading 牙紋規格(BC 1.37"x24T, R/L) for 68mm & 73mm Width 五通管寬度(68mm&73mm) Oversized Sealed Bearing 密封式軸承 Ø24mm Spindle Ø24軸心
FINISH	表面處理	Anodized Cups 陽極碗
WEIGHT	重量	106g
OPTIONAL	選配	Ceramic Bearing 陶瓷珠軸承
AVAILABLE SYSTEM	適用系統	SHIMANO



### BB501



MATERIAL	材質	Forged Alloy & CNC Machined External Cups 鋁碗 Plastic Center Sleeve 塑膠中管
SIZE	尺寸	English Threading 牙紋規格(BC 1.37" x24T, R/L) for 68mm & 73mm Width 五通管寬度(68mm&73mm) Oversized Sealed Bearing 密封式軸承 Spindle OD Left 軸心左端外徑(Crank-Side曲柄側): $\varnothing 22\text{mm}$ Spindle OD Right 軸心右端外徑(Crainwheel-Side齒盤側): $\varnothing 24\text{mm}$
FINISH	表面處理	Anodized Cups 陽極碗
WEIGHT	重量	116g
OPTIONAL	選配	
AVAILABLE SYSTEM	適用系統	SRAM

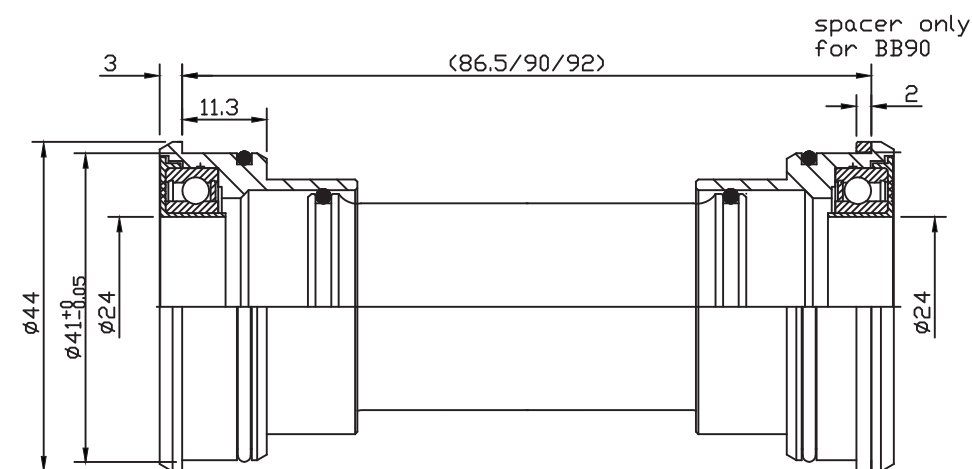


### BB86 / BB90 / BB92



#### PRESS FIT TYPE 壓入式五通碗組

MATERIAL	材質	Forged Alloy & CNC Machined External Cups 鋁碗 Plastic Center Sleeve 塑膠中管
SIZE	尺寸	English Threading 牙紋規格(BC 1.37"x24T, R/L) $\varnothing 24\text{mm}$ Spindle OD $\varnothing 24\text{mm}$ 軸心外徑
Available For	可適用於	86.5mm Frame B.B Shell Width 86.5mm 寬之車架五通管 90mm Frame B.B Shell Width 90mm 寬之車架五通管 92mm Frame B.B Shell Width 92mm 寬之車架五通管 Press Fit Cups ( 壓入式碗 $\varnothing 41\text{mm}$ )
FINISH	表面處理	Anodized Cups 陽極碗
WEIGHT	重量	95g
BB SHELL ID	五通管內徑	$\varnothing 41\text{mm}$



**B881**



BSA 1.37" x 24T R/L

MATERIAL	材料	Steel, Set of 5pcs 鐵 x 5pcs
POTATOR	轉動機構	Ball Retainers 珠巢 1/4" x9x2pcs
FINISH	表面處理	CP, UCP, ED, BK
APPLICATIONS	通用車種	Light Weight 輕便車, Mini Cycle 小車

**B882**



BSA 1.37" x 24T R/L

MATERIAL	材料	Steel, Set of 5pcs 鐵 x 5pcs
POTATOR	轉動機構	Ball Retainers 珠巢 1/4" x9x2pcs
FINISH	表面處理	CP, UCP, ED, BK
APPLICATIONS	通用車種	Light Weight 輕便車, Mini Cycle 小車

**B886**



BSA 1.37" x 24T R/L

MATERIAL	材料	Steel, Set of 6pcs 鐵 x 6pcs
POTATOR	轉動機構	Ball Retainers 珠巢 1/4" x9x2pcs
FINISH	表面處理	CP, UCP, ED, BK
APPLICATIONS	通用車種	Comfort(w/Chain Guard) 城市車 (加鏈條保護蓋)

**B887(B887B)**



B887: BSA 1.37" X24T, R/L  
B887B: Italian 36mmx24T, R/R

MATERIAL	材料	Steel, Set of 5pcs 鐵 x 5pcs
POTATOR	轉動機構	Ball Retainers 珠巢 1/4" x9x2pcs
FINISH	表面處理	CP, UCP, ED, BK
APPLICATIONS	通用車種	Light Weight 輕便車, Mini Cycle小車

**B888**



CUP SIZE	碗尺寸	Ø43mm
THREAD TYPE	牙紋	Left Cone: 3/4" un24T-LH Right Cone: 13/16" un24T
MATERIAL	材料	Steel, Set of 9pcs 鐵 x 9pcs
ROTATOR	轉動機構	Ball Retainers 珠巢 5/16"x7x2pcs
FINISH	表面處理	UCP, BK
APPLICATIONS	通用車種	Children Bike 童車

**B889**



CUP SIZE	碗尺寸	Ø51.5mm
THREAD TYPE	牙紋	Left Cone: 7/8" un24T-LH Right Cone: 15/16" un24T
MATERIAL	材料	Steel, Set of 9pcs 鐵 x 9pcs
ROTATOR	轉動機構	Ball Retainers 珠巢 5/16"x9x2pcs
FINISH	表面處理	UCP, BK
APPLICATIONS	通用車種	BMX & Freestyle 表演車

**B890**



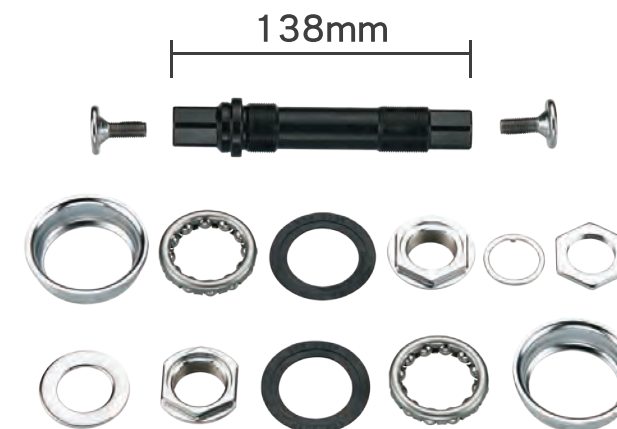
CUP SIZE	碗尺寸	Ø45mm
THREAD TYPE	牙紋	Left Cone: 22un 24T-LH Right Cone: 23.2un 32T
MATERIAL	材料	Steel, Set of 10pcs 鐵 x 10pcs
ROTATOR	轉動機構	Ball Retainers 珠巢 1/4" x 11C x 2pcs
FINISH	表面處理	UCP, BK

**B890B**



CUP SIZE	碗尺寸	Ø45mm
THREAD TYPE	牙紋	Left Cone: 22un 24T-LH Right Cone: 23.2un 32T
MATERIAL	材料	Steel, Set of 6pcs 鐵 x 6pcs
ROTATOR	轉動機構	Sealed Bearing 培林
FINISH	表面處理	UCP

**B899W**



CUP SIZE	碗尺寸	Ø51.5mm
THREAD TYPE	牙紋	Left Cone : 7/8" un 24T-LH Right Cone: 15/16"un 24T
MATERIAL	材料	Steel(Cups Set Parts/碗及牙塞), SCM430 ( AXLE/中軸 )
ROTATOR	轉動機構	Set of 14pcs 鐵x14pcs Ball Retainers 珠巢 5/16"x 12 x 2pcs, Dust Seals
FINISH	表面處理	CP (Cups Set Part/碗及牙塞) + BK (AXLE/中軸)
APPLICATIONS	通用車種	Heavy BMX 重表演車 MTB 登山車

# CHAINWHEELS



## 齒盤



### MA9-731C-NT

CRANK 曲柄	170mm(Forged AL6061-T6)
CHAINRING 鏈輪	24/32/42T(AL-7075.CNC)
BB 中軸	Cups-BC-1.37x24/68mm/73mm
CHAIN LINE 鏈線	50mm
BCD	104/64mm
SPEED 速別	3x10S
WEIGHT 重量	825g



### MA9-732C-NT

CRANK 曲柄	170mm (Forged AL6061-T6)
CHAINRING 鏈輪	22/30/40T(AL-7075.CNC)
BB 中軸	Cups-BC-1.37x24/68mm/73mm
CHAIN LINE 鏈線	50mm
BCD	96/64mm
SPEED 速別	3x10S
WEIGHT 重量	775g



### MA9-431C-NT

CRANK 曲柄	170mm(Forged AL6061-T6)
CHAINRING 鏈輪	24/32/42T(Steel)
BB 中軸	Cups-BC-1.37x24/68mm/73mm
CHAIN LINE 鏈線	50mm
BCD	104/64mm
SPEED 速別	3x10S
WEIGHT 重量	950g



### MA9-531C-NT

CRANK 曲柄	170mm(Forged AL6061-T6)
CHAINRING 鏈輪	24/32T(Steel);42T(Alloy)
BB 中軸	Cups-BC-1.37x24/68mm/73mm
CHAIN LINE 鏈線	50mm
BCD	104/64mm
SPEED 速別	3x10S
WEIGHT 重量	890g



**MA11-431B-NT**

CRANK 曲柄	170mm(Forged AL6061-T6)
CHAINRING 鏈輪	22/32/44T(Steel)
BB 中軸	Cups-BC-1.37x24/68mm/73mm
CHAIN LINE 鏈線	50mm
BCD	104/64mm
SPEED 速別	3x9S
WEIGHT 重量	930g



**MA11-531B-NT**

CRANK 曲柄	170mm(Forged AL6061-T6)
CHAINRING 鏈輪	22/32/44T(44T Alloy;22/32T Steel)
BB 中軸	Cups-BC-1.37x24/68mm/73mm
CHAIN LINE 鏈線	48.5mm
BCD	104/64mm
SPEED 速別	3x9S
WEIGHT 重量	870g



**MA9-431C**

CRANK 曲柄	170mm(Forged AL6061-T6)
CHAINRING 鏈輪	24/32/42T(Steel)
BB 中軸	Taper Square(方孔)110.5mm/M8
CHAIN LINE 鏈線	50mm
BCD	104/64mm
SPEED 速別	3x10S



**MA9-531C**

CRANK 曲柄	170mm(Forged AL6061-T6)
CHAINRING 鏈輪	24/32/42T (42T Alloy;24/32T Steel)
BB 中軸	Taper Square(方孔)110.5mm/M8
CHAIN LINE 鏈線	50mm
BCD	104/64mm
SPEED 速別	3x10S



**MA9-711D-NT**

CRANK 曲柄	170mm (Forged AL6061-T6)
CHAINRING 鏈輪	32,34,36,38T (Alloy 7075-CNC)
BB 中軸	Cups-BC-1.37x24/68mm/73mm
CHAIN LINE 鏈線	51mm
BCD	104mm
SPEED 速別	1x11S



**MA9-721C-NT**

CRANK 曲柄	165/170/175mm
CHAINRING 鏈輪	28/40T、26/38T(AL-7075.CNC)
BB 中軸	Cups-BC-1.37x24/68mm/73mm
CHAIN LINE 鏈線	49mm
BCD	104/64mm
SPEED 速別	2x11S
WEIGHT 重量	765g(26/38T 7075 Axle) 815g(26/38T CrMo Axle)



**MA10-431B**

CRANK 曲柄	170mm(Forged AL6061-T6)
CHAINRING 鏈輪	22/32/44T (Steel)
BB 中軸	Taper Square(方孔)126mm/M8
CHAIN LINE 鏈線	50mm
BCD	104/64mm
SPEED 速別	3x9S



**MA10-531B**

CRANK 曲柄	170mm Forged AL6061-T6
CHAINRING 鏈輪	22/32/44T(44T Alloy;22/32T Steel)
BB 中軸	Taper Square(方孔)126mm/M8
CHAIN LINE 鏈線	48.5mm
BCD	104/64mm
SPEED 速別	3x9S



**MA10-531C**

CRANK 曲柄	170mm(Forged AL6061-T6)
CHAINRING 鏈輪	24/32/42T(42T Alloy,24T/32T Steel)
BB 中軸	Taper Square(方孔)110.5mm/M8
CHAIN LINE 鏈線	50mm
BCD	104/64mm
SPEED 速別	3x10S



**MA11-431B**

CRANK 曲柄	170mm(Forged AL6061-T6)
CHAINRING 鏈輪	22/32/44T(Steel)
BB 中軸	Taper Square(方孔)110.5mm/M8
CHAIN LINE 鏈線	50mm
BCD	104/64mm
SPEED 速別	3x10S



**MA13-432B**

CRANK 曲柄	170mm(Forged AL6061-T6)
CHAINRING 鏈輪	22/32/42T(Steel)
BB 中軸	Taper Square(方孔)110.5mm/M8
CHAIN LINE 鏈線	50mm
BCD	104/64mm
SPEED 速別	3x9S



**NSA-3002**

CRANK 曲柄	170mm Alloy 鋁
CHAINRING 鏈輪	24/34/42T or 28/38/48T Steel
BB 中軸	Cartridge taper square (一體式)119mm
FINISH 表面處理	Silver, Black 銀/黑
CHAIN LINE 鏈線	48.5mm



**MA11-432B**

CRANK 曲柄	170mm(Forged AL6061-T6)
CHAINRING 鏈輪	22/32/44T(Steel)
BB 中軸	Taper Square(方孔)110.5mm/M8
CHAIN LINE 鏈線	48.5mm
BCD	104/64mm
SPEED 速別	3x8S/3x9S



**MA11-531B**

CRANK 曲柄	170mm(Forged AL6061-T6)
CHAINRING 鏈輪	22/32/44T (44T Alloy;22/32T Steel)
BB 中軸	Taper Square(方孔)110.5mm/M8
CHAIN LINE 鏈線	48.5mm
BCD	104/64mm
SPEED 速別	3x9S



**NSA-3003**

CRANK 曲柄	170,175mm Alloy 鋁
CHAINRING 鏈輪	24/34/42T or 28/38/48T Steel
BB 中軸	Cartridge taper square(一體式)122.5mm
CHAIN LINE 鏈線	48.5mm



**NSA-3007**

CRANK 曲柄	170mm Alloy 鋁
CHAINRING 鏈輪	22/32/44T,Steel
BB 中軸	Cartridge taper square(一體式)122.5mm
CHAIN LINE 鏈線	50mm



**NSS-3001**

CRANK 曲柄	152/170mm Steel 鐵
CHAINRING 鏈輪	24/34/42T or 28/38/48T Steel
BB 中軸	Cartridge taper square (一體式)118mm
CHAIN LINE 鏈線	47.5mm



**NSS-3010**

CRANK 曲柄	152/165/170mm Steel 鐵
CHAINRING 鏈輪	24T/34T/42T or 28T/38T/48T Steel
BB 中軸	Cartridge taper square (一體式)118mm
CHAIN LINE 鏈線	47.5mm



**NSP-3001**

CRANK 曲柄	152/170mm Steel 鐵
CHAINRING 鏈輪	24/34/42T or 28/38/48T,Steel
BB 中軸	Cartridge taper square(一體式)120mm
CHAIN LINE 鏈線	47.5mm



**NSP-3003**

CRANK 曲柄	152/170mm Plastic-coated Steel 包塑鐵腿
CHAINRING 鏈輪	24/34/42T or 28/38/48T Steel
BB 中軸	Cartridge taper square (一體式)120mm
CHAIN LINE 鏈線	47.5mm



**NSS-3012**

CRANK 曲柄	170mm Steel 鐵
CHAINRING 鏈輪	24T/34T/42TSteel
BB 中軸	Cartridge taper square (一體式)119mm
CHAIN LINE 鏈線	47.5mm



**NSS-3013**

CRANK 曲柄	170mm Steel 鐵
CHAINRING 鏈輪	24/34/42T or 28/38/48T,Steel
BB 中軸	Cartridge taper square (一體式)118mm
CHAIN LINE 鏈線	48.5mm



**NSP-3004**

CRANK 曲柄	170mm Steel
CHAINRING 鏈輪	24/34/42T Steel
BB 中軸	Cartridge taper square (一體式)119mm
CHAIN LINE 鏈線	48.5mm



**NSP-3005**

CRANK 曲柄	170mm Steel 鐵
CHAINRING 鏈輪	24/34/42T or 28/38/48T,Steel
BB 中軸	Cartridge taper square (一體式)119mm
CHAIN LINE 鏈線	48.5mm



**RA1-721C-NT**

CRANK 曲柄	170mm(Forged AL6061-T6)
CHAINRING 鏈輪	39/53T(AL-7075.CNC)
BB 中軸	Cups-BC-1.37x24/68mm/73mm
CHAIN LINE 鏈線	43.5mm
BCD	130mm
SPEED 速別	2x10S/2x11S
WEIGHT 重量	780g



**RA2-721C**

CRANK 曲柄	170mm(Forged AL6061-T6)
CHAINRING 鏈輪	39/53T(AL-7075.CNC)
BB 中軸	Taper Square(方孔)116mm/M8
CHAIN LINE 鏈線	43.5mm
BCD	130mm
SPEED 速別	2x9S/2x10S



**RA3-721C-NT**

CRANK 曲柄	170,172.5,175mm (Forged AL6061-T6)
CHAINRING 鏈輪	39/53T(AL-7075.CNC)
BB 中軸	Cups-BC-1.37x24/68mm/73mm
CHAIN LINE 鏈線	43.5mm
BCD	130mm
SPEED 速別	2x9S/2x10S
WEIGHT 重量	765g



**RA4-622C-NT**

CRANK 曲柄	170mm(Forged AL6061-T6-CNC)
CHAINRING 鏈輪	39/53T(Alloy)
BB 中軸	BB Cups-BC-1.37x24/68mm/73mm
CHAIN LINE 鏈線	43.5mm
BCD	130mm
SPEED 速別	2x9S/2x10S
WEIGHT 重量	730g



**RA2-721C-NT**

CRANK 曲柄	170mm(Forged AL6061-T6)
CHAINRING 鏈輪	39/53T(AL-7075.CNC)
BB 中軸	Cups-BC-1.37x24/68mm/73mm
CHAIN LINE 鏈線	43.5mm
BCD	130mm
SPEED 速別	2x9S/2x10S
WEIGHT 重量	885g



**RA3-622C-NT**

CRANK 曲柄	170,172.5,175mm (Forged AL6061-T6)
CHAINRING 鏈輪	39/53T(Alloy)
BB 中軸	Cups-BC-1.37x24/68mm/73mm
CHAIN LINE 鏈線	43.5mm
BCD	130mm
SPEED 速別	2x9S/2x10S
WEIGHT 重量	750g



**RA6-721C-NT**

CRANK 曲柄	170mm(Forged AL6061-T6)
CHAINRING 鏈輪	34/50T(AL-7075.CNC)
BB 中軸	Cups-BC-1.37x24/68mm/73mm
CHAIN LINE 鏈線	43.5mm
BCD	110mm
SPEED 速別	2x9S/2x10S
WEIGHT 重量	840g



**RA6-722C-NT**

CRANK 曲柄	170mm(Forged AL6061-T6)
CHAINRING 鏈輪	34/50T(AL-7075.CNC)
BB 中軸	Cups-BC-1.37x24/68mm/73mm
CHAIN LINE 鏈線	43.5mm
BCD	110mm
SPEED 速別	2x9S/2x10S
WEIGHT 重量	810g





**RA3-423A**

CRANK 曲柄	170,172.5,175mm(Forged AL6061-T6)
CHAINRING 鏈輪	42/52T(Steel)
BB 中軸	Taper Square(方孔)113mm/M8
CHAIN LINE 鏈線	45mm
BCD	130mm
SPEED 速別	2x8S



**RA4-423A**

CRANK 曲柄	170mm(Forged AL6061-T6)
CHAINRING 鏈輪	42/52T(Steel)
BB 中軸	Taper Square(方孔)113mm/M8
CHAIN LINE 鏈線	45mm
BCD	130mm
SPEED 速別	2x8S



**RA7-421A**

CRANK 曲柄	170mm(Forged AL6061-T6)
CHAINRING 鏈輪	39/52T(Steel)
BB 中軸	Taper Square(方孔)113mm/M8
CHAIN LINE 鏈線	43.5mm
BCD	110mm
SPEED 速別	2x8S



**RA8-421A**

CRANK 曲柄	170mm (Forged AL6061-T6)
CHAINRING 鏈輪	39/52T(Steel)
BB 中軸	Taper Square(方孔)113mm/M8
CHAIN LINE 鏈線	43.5mm
BCD	110mm
SPEED 速別	2x8S



**RA7-422A**

CRANK 曲柄	170mm(Forged AL6061-T6)
CHAINRING 鏈輪	34/50T(Steel)
BB 中軸	Taper Square(方孔)113mm/M8
CHAIN LINE 鏈線	43.5mm
BCD	110mm
SPEED 速別	2x8S



**RA4-522C**

CRANK 曲柄	170mm(Forged AL-6061T6)
CHAINRING 鏈輪	39/53T(53T Alloy;39T Steel)
BB 中軸	Taper Square(方孔)113mm/M8
CHAIN LINE 鏈線	43.5mm
BCD	130mm
SPEED 速別	2x9S/2x10S



**RA3-721C**

CRANK 曲柄	170,172.5,175mm(Forged AL6061-T6)
CHAINRING 鏈輪	39/53T(AL-7075.CNC)
BB 中軸	Taper Square(方孔)113mm/M8
CHAIN LINE 鏈線	43.5mm
BCD	130mm
SPEED 速別	2x9S/2x10S



**RA3-522C**

CRANK 曲柄	170,172.5,175mm (Forged AL6061-T6)
CHAINRING 鏈輪	39/53T(53T Alloy.39T Steel)
BB 中軸	Taper Square(方孔)113mm/M8
CHAIN LINE 鏈線	43.5mm
BCD	130mm
SPEED 速別	2x9S/2x10S



**NSS-2002**

CRANK 曲柄	170mm Steel 鐵
CHAINRING 鏈輪	38T/48T Steel
BB 中軸	Cartridge taper square (一體式)103.5mm
CHAIN LINE 鏈線	44.5mm



**FA1-723C-NT**

CRANK 曲柄	170mm (Forged AL6061-T6)
CHAINRING 鏈輪	46/56T(AL7075-T6 CNC)
BB 中軸	Cups-BC-1.37x24/68mm/73mm
CHAIN LINE 鏈線	43.5mm
BCD	130mm
SPEED 速別	2x9S/2X10S
WEIGHT 重量	835g



**FA3-723C-NT**

CRANK 曲柄	170,172.5,175mm (Forged AL6061-T6)
CHAINRING 鏈輪	46/56T(AL7075-T6 CNC)
BB 中軸	Cups-BC-1.37x24/68mm/73mm
CHAIN LINE 鏈線	43.5mm
BCD	130mm
SPEED 速別	2x9s/2x10s
WEIGHT 重量	800g



**FA2-723C**

CRANK 曲柄	170mm(Forged AL6061-T6)
CHAINRING 鏈輪	46/56T(AL6061 T6 CNC)
BB 中軸	Taper Square(方孔)117.5mm/M8
CHAIN LINE 鏈線	43.5mm
BCD	130mm
SPEED 速別	2x9s/2x10s



**FA2-312MA**

CRANK 曲柄	170mm(Forged AL6061-T6)
CHAINRING 鏈輪	52T(AL6061T6 CNC)
BB 中軸	Taper Square(方孔)113mm
CHAIN LINE 鏈線	43mm
BCD	130mm



**SA3-312C-NT**

CRANK 曲柄	170,172.5,175mm (Forged AL6061-T6)
CHAINRING 鏈輪	46,48T(AL6061T6 CNC)
BB 中軸	Cups-BC-1.37x24/68mm/73mm
CHAIN LINE 鏈線	45mm
BCD	130mm



**SA18-312E-NT**

CRANK 曲柄	165/170/175mm (Forged AL6061-T6)
CHAINRING 鏈輪	46,48T(AL6061T6 CNC)
BB 中軸	Cups-BC-1.37x24/68mm/73mm
CHAIN LINE 鏈線	43mm
BCD	144mm



**FA3-212MAA**

CRANK 曲柄	170,172.5,175mm (Forged AL6061-T6)
CHAINRING 鏈輪	52T(STEEL)
BB 中軸	Taper Square(方孔) 116mm
CHAIN LINE 鏈線	43mm
BCD	130mm



**FA4-212MAA**

CRANK 曲柄	170mm(Forged AL6061-T6)
CHAINRING 鏈輪	52T(Steel)
BB 中軸	Taper Square(方孔)116mm
CHAIN LINE 鏈線	43mm
BCD	130mm



**FA4-312MAA**

CRANK 曲柄	170mm (Forged AL6061-T6)
CHAINRING 鏈輪	56T(AL6061 T6 CNC)
BB 中軸	Taper Square(方孔)116mm
CHAIN LINE 鏈線	43mm
BCD	130mm



**SA2-311D**

CRANK 曲柄	170mm(Forged AL6061-T6)
CHAINRING 鏈輪	46,48T(AL6061-T6 CNC)
BB 中軸	Taper Square(方孔)116mm
CHAIN LINE 鏈線	43mm
BCD	130mm



**SA2-312S**

CRANK 曲柄	170mm(Forged AL6061-T6)
CHAINRING 鏈輪	46,48T(AL6061-T6 CNC)
BB 中軸	Taper Square(方孔)116mm
CHAIN LINE 鏈線	43mm
BCD	130mm



**SA4-312C**

CRANK 曲柄	170mm(Forged AL6061-T6)
CHAINRING 鏈輪	46,48T(AL6061T6 CNC)
BB 中軸	Taper Square(方孔)113mm
CHAIN LINE 鏈線	45mm
BCD	130mm



**FA7-212-FA**

CRANK 曲柄	170mm(Forged AL6061-T6)
CHAINRING 鏈輪	46,48T(Steel)
BB 中軸	Taper Square(方孔)116mm
CHAIN LINE 鏈線	43mm
BCD	110mm



**SA2-3120**

CRANK 曲柄	170mm(Forged AL6061-T6)
CHAINRING 鏈輪	60T(AL6061-T6 CNC)
BB 中軸	Taper Square(方孔)116mm
CHAIN LINE 鏈線	43mm
BCD	130mm



**SA4-311C**

CRANK 曲柄	170mm(Forged AL6061-T6)
CHAINRING 鏈輪	46,48T(AL6061-T6 CNC)
BB 中軸	Taper Square(方孔)113mm
CHAIN LINE 鏈線	45mm
BCD	130mm



**SA5-312R**

CRANK 曲柄	165,170mm(AL6061-T6)
CHAINRING 鏈輪	46,48T(AL6061-T6 CNC)
BB 中軸	Taper Square(方孔)116mm
CHAIN LINE 鏈線	44.5mm
BCD	144mm



**SA5-312U**

CRANK 曲柄	165,170mm(AL6061-T6)
CHAINRING 鏈輪	46,48T(AL6061T6 CNC)
BB 中軸	Taper Square(方孔)116mm
CHAIN LINE 鏈線	44.5mm
BCD	144mm



**SA20-312R**

CRANK 曲柄	170mm(Forged AL6061-T6)
CHAINRING 鏈輪	48T(AL6061-T6.CNC)
BB 中軸	Taper Square(方孔)113mm
CHAIN LINE 鏈線	43mm
BCD	130mm



**CA22-101DPP**

CRANK 曲柄	152,170mm(Forged AL6061-T6)
CHAINRING 鏈輪	46,48,52T(Steel)
BB 中軸	Taper Square(方孔)116mm
CHAIN LINE 鏈線	44.5mm



**CA23-101CPP**

CRANK 曲柄	152,165,170mm (Forged AL6061-T6)
CHAINRING 鏈輪	44T(Steel)
BB 中軸	Taper Square(方孔)116mm
CHAIN LINE 鏈線	44.5mm



**SA7-212F**

CRANK 曲柄	170mm(Forged AL6061-T6)
CHAINRING 鏈輪	44,46,48T(Steel)
BB 中軸	Taper Square(方孔)113mm
CHAIN LINE 鏈線	47mm
BCD	110mm



**CA22-101CPP**

CRANK 曲柄	152,170mm (Forged AL6061-T6)
CHAINRING 鏈輪	46,48T(Steel)
BB 中軸	Taper Square(方孔)116mm
CHAIN LINE 鏈線	44.5mm



**GA23-101CPP**

CRANK 曲柄	152,165,170mm(Forged AL6061-T6)
CHAINRING 鏈輪	40T(Steel)
BB 中軸	Taper Square(方孔)116mm
CHAIN LINE 鏈線	44.5mm



**CA23-103B**

CRANK 曲柄	152,165,170mm (Forged AL6061-T6)
CHAINRING 鏈輪	36,38T(Steel)
BB 中軸	Taper Square(方孔)119mm
CHAIN LINE 鏈線	45mm



**CA23-101LP**

CRANK 曲柄	152,165,170mm (Forged AL6061-T6)
CHAINRING 鏈輪	42T(Steel)
BB 中軸	Taper Square(方孔)123mm
CHAIN LINE 鏈線	44.5mm



**NSA-1002**

CRANK 曲柄	170mm Alloy 鋁
CHAINRING 鏈輪	46T/48T/52T,Steel
BB 中軸	Cartridge taper square (一體式)115mm
CHAIN LINE 鏈線	44.5mm



**NSA-1004**

CRANK 曲柄	170mm Alloy 鋁
CHAINRING 鏈輪	38T,Steel
BB 中軸	Cartridge taper square(一體式)122.5mm
CHAIN LINE 鏈線	44.5mm
DISC O.D. 漢堡蓋外徑	95mm



**NSS-1001**

CRANK 曲柄	152/165/170mm Steel 鐵
CHAINRING 鏈輪	46T,Steel
BB 中軸	Cartridge taper square (一體式)119mm
CHAIN LINE 鏈線	43.5mm



**CA24-104B**

CRANK 曲柄	89,102mm (Forged AL6061-T6)
CHAINRING 鏈輪	28T(Steel)
BB 中軸	Taper Square(方孔)126mm
CHAIN LINE 鏈線	45mm



**NSA-1005**

CRANK 曲柄	102mm,114mm,127mm, 140mm,152mm Alloy 鋁
CHAINRING 鏈輪	32T,36T Steel
BB 中軸	Cartridge taper square (一體式)124.5mm
CHAIN LINE 鏈線	44.5mm



**NSA-1005-3**

CRANK 曲柄	170mm Alloy 鋁
CHAINRING 鏈輪	36T,38T,42T Steel
BB 中軸	Cartridge taper square (一體式)118mm
CHAIN LINE 鏈線	44.5mm
DISC O.D. 漢堡蓋外徑	95mm



**NSS-1004**

CRANK 曲柄	170mm Steel 鐵
CHAINRING 鏈輪	44T,Steel
BB 中軸	Cartridge taper square (一體式)115mm
CHAIN LINE 鏈線	44.5mm



### NSS-1003

CRANK 曲柄	152mm/165mm Steel 鐵
CHAINRING 鏈輪	36T,Steel
BB 中軸	Cartridge taper square (一體式)127.5mm
CHAIN LINE 鏈線	43.5mm



### NSS-1009-3

CRANK 曲柄	152mm,165mm,170mm Steel 鐵
CHAINRING 鏈輪	38T/42T Steel
BB 中軸	Cartridge taper square (一體式)118mm
CHAIN LINE 鏈線	44.5mm
DISC O.D. 漢堡蓋外徑	93mm



### NSS-1005

CRANK 曲柄	89mm/102mm/127mm/
CHAINRING 鏈輪	140mm Steel 鐵
BB 中軸	28/32/36T,Steel
CHAIN LINE 鏈線	40.5mm



### NSS-1009

CRANK 曲柄	170mm Steel 鐵
CHAINRING 鏈輪	42T,Steel
BB 中軸	Cartridge taper square (一體式)122.5mm
CHAIN LINE 鏈線	44.5mm



### NSS-1020

CRANK 曲柄	170mm Steel 鐵
CHAINRING 鏈輪	52T Steel
BB 中軸	Cartridge taper square (一體式)113.5mm
CHAIN LINE 鏈線	44.5mm



### 齒片 CWS-101

GEAR 齒數	24T,28T,32T,36T,40T,44T
GEAR THICKNESS 齒片厚度	2mm,2.3mm
MATERIAL 材質	steel,鐵
HOLE TYPE 中心孔型式	WITH PIN HOLE(帶插銷孔)
FINISH 表面處理	ED,CP



### 齒片 CWS-102

GEAR 齒數	28T,32T,36T,40T
GEAR THICKNESS 齒片厚度	2mm,2.3mm
MATERIAL 材質	steel,鐵
HOLE TYPE 中心孔型式	WITH HEXAGONAL HOLE (六角孔)
FINISH 表面處理	ED,CP



### 齒片 CWS-113

GEAR 齒數	32T,36T,40T,44T
GEAR THICKNESS 齒片厚度	2mm,2.3mm
MATERIAL 材質	steel,鐵
HOLE TYPE 中心孔型式	WITH PIN HOLE (帶插銷孔)
FINISH 表面處理	ED,CP



### 齒片 CWS-112

GEAR 齒數	28T,32T,36T,40T,44T
GEAR THICKNESS 齒片厚度	2mm,2.3mm
MATERIAL 材質	steel,鐵
HOLE TYPE 中心孔型式	WITH HEXAGONAL HOLE (六角孔)
FINISH 表面處理	ED,CP



### 齒片 CWS-311

GEAR 齒數	24/34/42T,28/38/48T
MATERIAL 材質	steel,鐵
FINISH 表面處理	ED,CP
OPTIONAL FOR CHAIN GUARD	鏈蓋選配

**連體曲柄 CRS-1A**

SUITED FOR BB SHELL INNER DIAMETER 51.5mm (適用於五通管內徑51.5mm)  
COLD FORGED STEEL WITH PIN(帶插銷冷鍛鐵曲柄)

LENGTH	長度	114(4.5"),127(5"),140(5.5"),152(6"),165(6.5")
DIAMETER	直徑	Ø15, Ø16
ANGLE	角度	94°
THREAD TYPE	牙紋型式	LEFT:7/8"-24T(L),RIGHT:15/16"-24T
FINISH	表面處理	CP,ED

**連體曲柄 CRS-1B**

SUITED FOR BB SHELL INNER DIAMETER 45mm (適用於五通管內徑45mm)  
COLD FORGED STEEL WITH PIN(帶插銷冷鍛鐵曲柄)

LENGTH	長度	114(4.5"),127(5"),140(5.5"),152(6"),165(6.5")
DIAMETER	直徑	Ø15, Ø16
ANGLE	角度	94°
THREAD TYPE	牙紋型式	LEFT:22-24T(L),RIGHT:23.2-32T
FINISH	表面處理	CP,ED

**連體曲柄 CRS-2A**

SUITED FOR BB SHELL INNER DIAMETER 51.5mm(適用於五通管內徑51.5mm)  
COLD FORGED STEEL WITHOUT PIN(六角面冷鍛鐵曲柄)

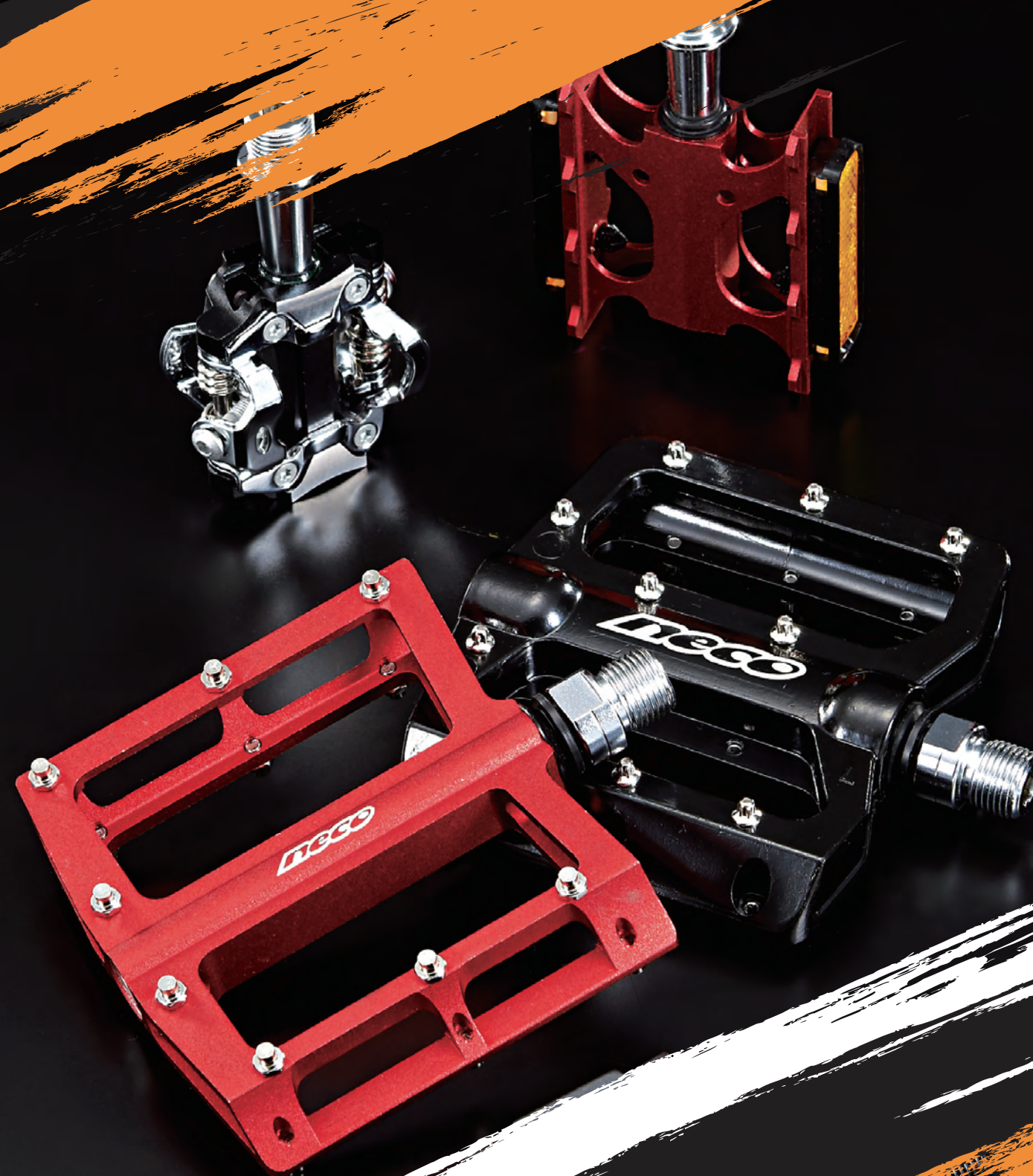
LENGTH	長度	102(4"),114(4.5"),127(5"),140(5.5"),152(6"),165(6.5")
DIAMETER	直徑	Ø15, Ø16
ANGLE	角度	94°
THREAD TYPE	牙紋型式	LEFT:7/8"-24T(L),RIGHT:15/16"-24T
FINISH	表面處理	CP,ED

**連體曲柄 CRS-2T**

SUITED FOR BB SHELL INNER DIAMETER 43mm(適用於五通管內徑43mm)  
COLD FORGED STEEL WITHOUT PIN(六角面冷鍛鐵曲柄)

LENGTH	長度	76(3"),89(3.5"),114(4.5"),127(5"),140(5.5")
DIAMETER	直徑	Ø15
ANGLE	角度	94°
THREAD TYPE	牙紋型式	LEFT:3/4"-24T(L),RIGHT:13/16"-24T
FINISH	表面處理	CP,ED

# PEDALS

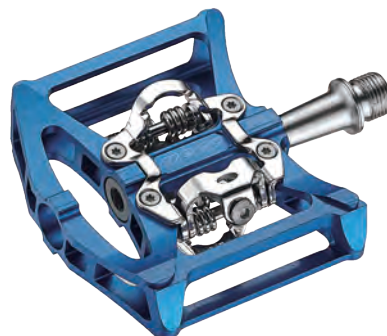
**腳踏**

### WP-RD501



BODY	本體材質	Die-cast aluminum 鋁壓鑄 CNC-machined Cr-Mo(cartridge)
AXLE	軸心材質	CNC精密加工鉻鉬鋼軸心(可替換卡式軸心)
BEARING	轉動結構	LSL bushing & sealed 自潤軸承，密封式培林 Fiber-glass reinforced thermoplastic,tension adjustable 玻纖強化塑膠，扭力調整設計， 可依騎乘者喜好及使用習慣調整
BINDING	後蓋	WP-RSL1/WP-RSL11/WP-BSL1/WP-BSL11
CLEAT	扣片	SPD-SL compatible SPD-SL系統相容
OTHER	其他	
SIZE	本體尺寸	88x93mm
WEIGHT	重量	165g/pair

### WP-MC118



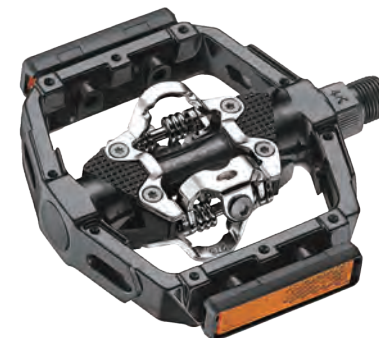
BODY	本體材質	6061 aluminum, CNC-machined body CNC精密加工鋁合金本體
AXLE	軸心材質	CNC-machined Cr-Mo CNC精密加工鉻鉬鋼軸心
BEARING	轉動結構	LSL bushing & sealed 自潤軸承，密封式培林 Dual-sided Cr-Mo,tension adjustable
BINDING	後蓋	雙面鉻鉬鋼,可依騎乘者喜好及使用習慣調整
CLEAT	扣片	WP-C01F
SIZE	本體尺寸	103x96mm
WEIGHT	重量	204g/pair

### WP-MC120



BODY	本體材質	6061 aluminum,CNC-machined body CNC精密加工鋁合金本體
AXLE	軸心材質	CNC-machined Cr-Mo CNC精密加工鉻鉬鋼軸心
BEARING	轉動結構	LSL bushing & sealed 自潤軸承，密封式培林 Dual-sided Cr-Mo, tension adjustable
BINDING	後蓋	雙面鉻鉬鋼,可依騎乘者喜好及使用習慣調整
CLEAT	扣片	WP-C01F
SIZE	本體尺寸	82x55mm
WEIGHT	重量	142g/pair

### WP-MD102/MD102B



BODY	本體材質	Die-cast aluminum 鋁壓鑄 CNC-machined Cr-Mo
AXLE	軸心材質	CNC精密加工鉻鉬鋼軸心
BEARING	轉動結構	LSL bushing & sealed 自潤軸承&密封式培林 Dual-sided Cr-Mo,tension adjustable
BINDING	後蓋	雙面鉻鉬鋼,可依騎乘者喜好及使用習慣調整
CLEAT	扣片	WP-C01F
SIZE	本體尺寸	108x98mm
WEIGHT	重量	300g/pair,MD102B:295g/pair
OPTIONAL	選配	WP-MD102B:Ball bearings

### WP-MD201/MD201B



BODY	本體材質	Die-cast aluminum 鋁壓鑄 CNC-machined Cr-Mo
AXLE	軸心材質	CNC精密加工鉻鉬鋼軸心
BEARING	轉動結構	LSL bushing & sealed自潤軸承&密封式培林 Single-sided Cr-Mo,tension adjustable
BINDING	後蓋	單面鉻鉬鋼,可依騎乘者喜好及使用習慣調整
CLEAT	扣片	WP-C01F
SIZE	本體尺寸	105x66mm
WEIGHT	重量	183g/pair MD201B:178g/pair
OPTIONAL	選配	WP-MD201B:Ball bearings

### WP321-N



BODY	本體材質	CNC Alloy 鋁
AXLE	軸心材質	Cr-Mo 鉻鉬鋼
BEARING	轉動結構	Sealed Bearing & Sleeve Bearing 密封式培林,自潤軸承
SIZE	本體尺寸	87x53mm
WEIGHT	重量	184g/pair





### WP902

BODY	本體材質	CNC Alloy 鋁
AXLE	軸心材質	Cr-Mo 鎢鉬鋼
BEARING	轉動結構	Sealed Bearing & Sleeve Bearing 密封式培林,自潤軸承
SIZE	本體尺寸	108x105mm
WEIGHT	重量	384g/pair



### WP903

BODY	本體材質	CNC Alloy 鋁
AXLE	軸心材質	Cr-Mo 鎢鉬鋼
BEARING	轉動結構	Sealed Bearing & Sleeve Bearing 密封式培林,自潤軸承
SIZE	本體尺寸	108x100mm
WEIGHT	重量	372g/pair



### WP904

BODY	本體材質	CNC Alloy 鋁
AXLE	軸心材質	Cr-Mo 鎢鉬鋼
BEARING	轉動結構	Sealed Bearing & Sleeve Bearing 密封式培林,自潤軸承
SIZE	本體尺寸	108x105mm
WEIGHT	重量	382g/pair



### WP907

BODY	本體材質	Alloy 鋁
AXLE	軸心材質	Cr-Mo 鎢鉬鋼
BEARING	轉動結構	Sealed Bearing & Sleeve Bearing 密封式培林,自潤軸承
SIZE	本體尺寸	95x91mm
WEIGHT	重量	414g/pair



### WP908A

BODY	本體材質	Alloy 鋁
AXLE	軸心材質	Cr-Mo 鎢鉬鋼
BEARING	轉動結構	Sealed Bearing & Sleeve Bearing 密封式培林,自潤軸承
SIZE	本體尺寸	108x108mm
WEIGHT	重量	522g/pair



### WP333

BODY	本體材質	ADC-12 ALIUMINUM
AXLE	軸心材質	Steel 鐵
BEARING	轉動結構	Self Moistening自潤軸套
SIZE	本體尺寸	95x98mm
WEIGHT	重量	333g/ pair



### WP703S

BODY	本體材質	6061 Aluminum 6061鋁本體
AXLE	軸心材質	CNC-Machined Cr-Mo鎢鉬鋼
BEARING	轉動結構	sealed bearing密封式培林
SIZE	本體尺寸	110*105mm
WEIGHT	重量	327g/Pair



### WP707S

BODY	本體材質	6061 Aluminum 6061鋁本體
AXLE	軸心材質	CNC-Machined Cr-Mo鎢鉬鋼
BEARING	轉動結構	sealed bearing密封式培林
SIZE	本體尺寸	92*101mm
WEIGHT	重量	328g/Pair



### WP712D

BODY	本體材質	6061 Aluminum 6061鋁本體
AXLE	軸心材質	CNC-Machined Cr-Mo鎢鉬鋼
BEARING	轉動結構	Sleeve bearing&Sealed bearing 自潤軸承&密封式培林
SIZE	本體尺寸	90*101mm
WEIGHT	重量	385g/Pair



### WP726D

BODY	本體材質	6061 Aluminum 6061鋁本體
AXLE	軸心材質	CNC-Machined Cr-Mo鎢鉬鋼
BEARING	轉動結構	Sleeve bearing&Sealed bearing 自潤軸承&密封式培林
SIZE	本體尺寸	81*81mm
WEIGHT	重量	289g/Pair



### WP729D

BODY	本體材質	6061 Aluminum 6061鋁本體
AXLE	軸心材質	CNC-Machined Cr-Mo 珪鉬鋼
BEARING	轉動結構	Sleeve bearing&Sealed bearing 自潤軸承&密封式培林
SIZE	本體尺寸	85*100mm
WEIGHT	重量	255g/Pair



### WP730D

BODY	本體材質	6061 Aluminum 6061鋁本體
AXLE	軸心材質	CNC-Machined Cr-Mo 珪鉬鋼
BEARING	轉動結構	Sleeve bearing&Sealed bearing 自潤軸承&密封式培林
SIZE	本體尺寸	54*80mm
WEIGHT	重量	250g/Pair



### WP751D

BODY	本體材質	6061 Aluminum 6061鋁本體
AXLE	軸心材質	CNC-Machined Cr-Mo 珪鉬鋼
BEARING	轉動結構	Sleeve bearing&Sealed bearing 自潤軸承&密封式培林
SIZE	本體尺寸	85*85mm
WEIGHT	重量	293g/Pair



### WP760D

BODY	本體材質	6061 Aluminum 6061鋁本體
AXLE	軸心材質	CNC-Machined Cr-Mo 珪鉬鋼
BEARING	轉動結構	Sleeve bearing&Sealed bearing 自潤軸承&密封式培林
SIZE	本體尺寸	92*95mm
WEIGHT	重量	367g/Pair



### WP769D

BODY	本體材質	6061 Aluminum 6061鋁本體
AXLE	軸心材質	CNC-Machined Cr-Mo 珪鉬鋼
BEARING	轉動結構	Sleeve bearing&Sealed bearing 自潤軸承&密封式培林
SIZE	本體尺寸	92*95mm
WEIGHT	重量	367g/Pair



### WP771D

BODY	本體材質	6061 Aluminum 6061鋁本體
AXLE	軸心材質	CNC-Machined Cr-Mo 珪鉬鋼
BEARING	轉動結構	Sleeve bearing&Sealed bearing 自潤軸承&密封式培林
SIZE	本體尺寸	73*87mm
WEIGHT	重量	282g/Pair



### WP796D

BODY	本體材質	6061 Aluminum 6061鋁本體
AXLE	軸心材質	CNC-Machined Cr-Mo 珪鉬鋼
BEARING	轉動結構	Sleeve bearing&Sealed bearing 自潤軸承&密封式培林
SIZE	本體尺寸	80*78mm
WEIGHT	重量	270g/Pair



### WP808

BODY	本體材質	Die-Cast Aluminum Body With Plastic Inlaid Kraton Tread
AXLE	軸心材質	CNC-Machined Cr-Mo 珪鉬鋼
BEARING	轉動結構	LSL bushing&Sealed bearing 自潤軸承&密封式培林
SIZE	本體尺寸	105*80mm
WEIGHT	重量	167g/pc



### WP825

BODY	本體材質	Engineering Thermoplastic Body With Sand-Paper
AXLE	軸心材質	CNC-Machined Cr-Mo 珪鉬鋼
BEARING	轉動結構	LSL bushing&Sealed bearing 自潤軸承&密封式培林
SIZE	本體尺寸	108*86mm
WEIGHT	重量	188g/pc



### WP832

BODY	本體材質	Die-Cast Aluminum With Sand-Paper 鋁壓鑄+砂紙
AXLE	軸心材質	CNC-Machined Cr-Mo 珪鉬鋼
BEARING	轉動結構	LSL bushing&Sealed bearing 自潤軸承&密封式培林
SIZE	本體尺寸	110*88mm
WEIGHT	重量	218g/pc



### WP101

BODY	本體材質	Alloy 鋁
AXLE	軸心材質	Cr-Mo 鉻鉬鋼
BEARING	轉動結構	Sealed Bearing & Sleeve Bearing 密封式培林,自潤軸承
SIZE	本體尺寸	103x63mm
WEIGHT	重量	273g/pair



### WP97D

BODY	本體材質	Alloy 鋁
AXLE	軸心材質	Steel 鐵
BEARING	轉動結構	Ball Bearing 珠巢
SIZE	本體尺寸	103x63mm
WEIGHT	重量	397g/pair



### WP625

BODY	本體材質	Alloy 鋁
AXLE	軸心材質	Steel 鐵
BEARING	轉動結構	Ball Bearing 珠巢
SIZE	本體尺寸	120x100mm
WEIGHT	重量	435g/pair



### WP97

BODY	本體材質	Alloy 鋁
AXLE	軸心材質	Steel 鐵
BEARING	轉動結構	Ball Bearing 珠巢
SIZE	本體尺寸	120x85mm
WEIGHT	重量	390g/pair



### WP335

BODY	本體材質	ADC-12 ALIUMINUM
AXLE	軸心材質	Steel 鐵
BEARING	轉動結構	Self Moistening自潤軸套
SIZE	本體尺寸	95x94.5mm
WEIGHT	重量	332g/pair



### WP908-2

BODY	本體材質	Alloy 鋁
AXLE	軸心材質	Steel 鐵
BEARING	轉動結構	Ball Bearing 珠巢
SIZE	本體尺寸	117x107mm
WEIGHT	重量	460g/pair



### WP303

BODY	本體材質	Alloy 鋁
AXLE	軸心材質	Steel 鐵
BEARING	轉動結構	Ball Bearing 珠巢
SIZE	本體尺寸	108 x100mm
WEIGHT	重量	440g/pair



### WP313

BODY	本體材質	Alloy 鋁
AXLE	軸心材質	Steel 鐵
BEARING	轉動結構	Ball Bearing 珠巢
SIZE	本體尺寸	103x100mm
WEIGHT	重量	449g/pair



### WP893

BODY	本體材質	Alloy 鋁
AXLE	軸心材質	Steel 鐵
BEARING	轉動結構	Ball Bearing 珠巢
SIZE	本體尺寸	103x62mm
WEIGHT	重量	402g/pair



### WP895

BODY	本體材質	Alloy 鋁
AXLE	軸心材質	Steel 鐵
BEARING	轉動結構	Ball Bearing 珠巢
SIZE	本體尺寸	103x72mm
WEIGHT	重量	459g/pair



### WP897

BODY	本體材質	Alloy 鋁
AXLE	軸心材質	Steel 鐵
BEARING	轉動結構	Ball Bearing 珠巢
SIZE	本體尺寸	105x76mm
WEIGHT	重量	399g/pair



### WP916

BODY	本體材質	Alloy 鋁
AXLE	軸心材質	Steel 鐵
BEARING	轉動結構	Ball Bearing 珠巢
SIZE	本體尺寸	112x108mm
WEIGHT	重量	510g/pair



### WP931A/S

BODY	本體材質	PP 塑料聚丙烯
CAGE	外框	WP931A:Alloy 鋁 WP931S:Steel 鐵
AXLE	軸心材質	Steel 鐵
BEARING	轉動結構	Ball Bearing 珠巢
SIZE	本體尺寸	108x73mm
WEIGHT	重量	Alloy 鋁:342.5g/pair Steel 鐵:405.5g/pair



### WP932

BODY	本體材質	Alloy 鋁
CAGE	外框	Alloy 鋁
AXLE	軸心材質	Steel 鐵
BEARING	轉動結構	Ball Bearing 珠巢
SIZE	本體尺寸	69x97mm
WEIGHT	重量	336g/pair



### WP940

BODY	本體材質	PP+Alloy 塑料聚丙烯+鋁
AXLE	軸心材質	Steel 鐵
BEARING	轉動結構	Ball Bearing 珠巢
SIZE	本體尺寸	120x70mm
WEIGHT	重量	425g/pair



### WP940-1

BODY	本體材質	PP 塑料聚丙烯+Alloy 鋁
AXLE	軸心材質	Steel 鐵
BEARING	轉動結構	Ball Bearing 珠巢
SIZE	本體尺寸	100x78mm
WEIGHT	重量	401.5g/pair



### WP201A/S

BODY	本體材質	Plastic 塑膠
CAGE	外框	WP201A:Alloy 鋁 WP201S:Steel 鐵
AXLE	軸心材質	Steel 鐵
BEARING	轉動結構	Ball Bearing 珠巢
SIZE	本體尺寸	103x63mm
WEIGHT	重量	Alloy 鋁:332g/pair Steel 鐵:425g/pair



### WP601

BODY	本體材質	PC Body 聚碳酸酯
AXLE	軸心材質	Steel 鐵
BEARING	轉動結構	Ball Bearing 珠巢
SIZE	本體尺寸	110x100mm
WEIGHT	重量	415g/pair
AVAILABLE FINISH	可選顏色	Transparent Clear 透明 / Red 紅 / Blue 藍 / Purple 紫 / Green 綠 / Yellow 黃



### WP208

BODY	本體材質	One-Piece Black PP+ Grey Rubber 一體成型塑膠+灰橡膠
AXLE	軸心材質	Steel 鐵
BEARING	轉動結構	Ball Bearing 珠巢
SIZE	本體尺寸	114x85mm
WEIGHT	重量	404.5g/pair



### WP108

BODY	本體材質	One-Piece Black PP + Grey Rubber 一體成型塑膠+灰橡膠
AXLE	軸心材質	Steel 鐵
BEARING	轉動結構	Ball Bearing 珠巢
SIZE	本體尺寸	111x85mm
WEIGHT	重量	380g/pair



### WP940-2

BODY	本體材質	PP 塑料聚丙稀
AXLE	軸心材質	Steel 鐵
BEARING	轉動結構	Ball Bearing 珠巢
SIZE	本體尺寸	100x86mm
WEIGHT	重量	326g/pair



### WP178

BODY	本體材質	PP 塑料聚丙稀
AXLE	軸心材質	Steel 鐵
BEARING	轉動結構	Ball Bearing 珠巢
SIZE	本體尺寸	106x76mm
WEIGHT	重量	333.5g/pair



### WP302

BODY	本體材質	One-Piece Black PP + Grey Rubber 一體成型塑膠+灰橡膠
AXLE	軸心材質	Steel 鐵
BEARING	轉動結構	Ball Bearing 珠巢
SIZE	本體尺寸	110x73mm
WEIGHT	重量	375.5g/pair



### WP403

BODY	本體材質	PP 塑料聚丙稀
AXLE	軸心材質	Steel 鐵
BEARING	轉動結構	Ball Bearing 珠巢
SIZE	本體尺寸	108x93mm
WEIGHT	重量	345g/pair



### WP301

BODY	本體材質	PP 塑料聚丙稀
AXLE	軸心材質	Steel 鐵
BEARING	轉動結構	Ball Bearing 珠巢
SIZE	本體尺寸	108x74mm
WEIGHT	重量	336.5g/pair



### WP128

BODY	本體材質	PP 塑料聚丙稀
AXLE	軸心材質	Steel 鐵
BEARING	轉動結構	Ball-less 無珠
SIZE	本體尺寸	95x59mm
WEIGHT	重量	222g/pair



### WP195

BODY	本體材質	PP 塑料聚丙稀
AXLE	軸心材質	Steel 鐵
BEARING	轉動結構	Ball Bearing 珠巢
SIZE	本體尺寸	110x87mm
WEIGHT	重量	314g/pair



### WP941-1

BODY	本體材質	PP 塑料聚丙稀
AXLE	軸心材質	Steel 鐵
BEARING	轉動結構	Ball Bearing 珠巢
SIZE	本體尺寸	112x70mm
WEIGHT	重量	400g/pair



### WP188

BODY	本體材質	PP 塑料聚丙稀
AXLE	軸心材質	Steel 鐵
BEARING	轉動結構	Ball Bearing 珠巢
SIZE	本體尺寸	108x74mm
WEIGHT	重量	320g/pair



### WP303-1

BODY	本體材質	PP 塑料聚丙稀
AXLE	軸心材質	Steel 鐵
BEARING	轉動結構	Ball Bearing 珠巢
SIZE	本體尺寸	112x72mm
WEIGHT	重量	323g/pair



### WP501

BODY	本體材質	PP 塑料聚丙稀
AXLE	軸心材質	Steel 鐵
BEARING	轉動結構	Self Moistening 自潤軸套
SIZE	本體尺寸	90*90mm
WEIGHT	重量	253g/pair



### WP138

BODY	本體材質	PP 塑料聚丙稀
AXLE	軸心材質	Steel 鐵
BEARING	轉動結構	Ball Bearing 珠巢
SIZE	本體尺寸	105x65mm
WEIGHT	重量	295g/pair



### WP406

BODY	本體材質	PP 塑料聚丙稀
AXLE	軸心材質	Steel 鐵
BEARING	轉動結構	Ball Bearing 珠巢
SIZE	本體尺寸	112x97mm
WEIGHT	重量	411g/pair



### WP408

BODY	本體材質	PP 塑料聚丙稀
AXLE	軸心材質	Steel 鐵
BEARING	轉動結構	Ball Bearing 珠巢
SIZE	本體尺寸	112x96mm
WEIGHT	重量	360g/pair



### W401

BODY	本體材質	PP 塑料聚丙稀
AXLE	軸心材質	Steel 鐵
BEARING	轉動結構	Ball Bearing 珠巢
SIZE	本體尺寸	111x100mm
WEIGHT	重量	343.5g/pair



### WP168

BODY	本體材質	PP 塑料聚丙稀
AXLE	軸心材質	Steel 鐵
BEARING	轉動結構	Ball Bearing 珠巢
SIZE	本體尺寸	110x84mm
WEIGHT	重量	296.5g/pair
OPTIONAL	附註	WP168B(ball-less無珠) Steel Axle 鐵軸心 272g/pair



### WP163

BODY	本體材質	PP 塑料聚丙稀
AXLE	軸心材質	Steel 鐵
BEARING	轉動結構	Ball Bearing 珠巢
SIZE	本體尺寸	114x85mm
WEIGHT	重量	310g/pair



### WP251

BODY	本體材質	PP 塑料聚丙稀
AXLE	軸心材質	Steel 鐵
BEARING	轉動結構	Ball Bearing 珠巢
SIZE	本體尺寸	100x76mm
WEIGHT	重量	287g/pair



### WP190

BODY	本體材質	PP 塑料聚丙稀
AXLE	軸心材質	Steel 鐵
BEARING	轉動結構	Ball Bearing 珠巢
SIZE	本體尺寸	94x72mm
WEIGHT	重量	337.5g/pair



### WP148

BODY	本體材質	PP 塑料聚丙稀
AXLE	軸心材質	Steel 鐵
BEARING	轉動結構	Ball Bearing 珠巢
SIZE	本體尺寸	95x63mm
WEIGHT	重量	281g/pair
OPTIONAL	附註	WP148B(ball-less無珠) Steel Axle 鐵軸心 248g/pair

KEO SYSTEM



WP-KCR71

MODE 模式	Floating(7°) 浮動式
	Engineering
MATERIAL 扣片材質	thermoplastic 工程塑膠
COMPATIBILITY 相容	Look keo system
WEIGHT 重量	24g/pc



WP-KCB01

MODE 模式	Fixed 0° 固定式
	Engineering
MATERIAL 扣片材質	thermoplastic 工程塑膠
COMPATIBILITY 相容	Look keo system
WEIGHT 重量	24g/pc



WP-KCR72

MODE 模式	Floating(7°) 浮動式
	Engineering
	thermoplastic
	+TPU Plastic
MATERIAL 扣片材質	工程塑膠+TPU防滑層
COMPATIBILITY 相容	Look keo system
WEIGHT 重量	23g/pc



WP-KCB02

MODE 模式	Fixed 0° 固定式
	Engineering
	thermoplastic
	+TPU Plastic
MATERIAL 扣片材質	工程塑膠+TPU防滑層
COMPATIBILITY 相容	Look keo system
WEIGHT 重量	23g/pc

CLEAT COVERS



WP-CK3B

Eliminates Cleat Wear Improves Walking Comfort Lightweight Durable And Flexible

COMPATIBILITY 相容	KCR71,KCB01,KCR72,KCB02 also with Look Keo system
WEIGHT 重量	23g/pc

DELTA SYSTEM



WP-DCR61

MODE 模式	Floating(6°) 浮動式
MATERIAL 扣片材質	Engineering thermoplastic 工程塑膠
COMPATIBILITY 相容	Look Delta system
WEIGHT 重量	25g/pc



WP-CK1B

Eliminates Cleat Wear Improves Walking Comfort Lightweight Durable And Flexible

COMPATIBILITY 相容	ARC1,BLK1 also with Look Delta system
WEIGHT 重量	37g/pc

CLEAT COVERS

ROAD SYSTEM



WP-SLR61

MODE 模式	Floating(6°) 浮動式
	Engineering
MATERIAL 扣片材質	thermoplastic 工程塑膠
COMPATIBILITY 相容	SPD-SL
WEIGHT 重量	25g/pc



WP-SLB01

MODE 模式	Fixed 0° 固定式
	Engineering
MATERIAL 扣片材質	thermoplastic 工程塑膠
COMPATIBILITY 相容	SPD-SL
WEIGHT 重量	25g/pc



WP-SLR62

MODE 模式	Floating(6°) 浮動式
	Engineering
	Thermoplastic
	+TPU Plastic
MATERIAL 扣片材質	工程塑膠+TPU防滑層
COMPATIBILITY 相容	SPD-SL
WEIGHT 重量	25g/pc



WP-SLB02

MODE 模式	Fixed 0° 固定式
	Engineering
	Thermoplastic
	+TPU Plastic
MATERIAL 扣片材質	工程塑膠+TPU防滑層
COMPATIBILITY 相容	SPD-SL
WEIGHT 重量	25g/pc

CLEAT COVERS



WP-CK6B

Eliminates Cleat Wear Improves Walking Comfort Lightweight Durable And Flexible

COMPATIBILITY 相容	RSL1,RSL11,BSL1,BSL11, also with SPD-SL system
WEIGHT 重量	3g/pc

MTB SYSTEM



WP-C01F

COMPATIBILITY 相容	SPD
WEIGHT 重量	33.8g/pc



WP-C03F

COMPATIBILITY 相容	SPD
WEIGHT 重量	33.8g/pc

CLEAT COVERS



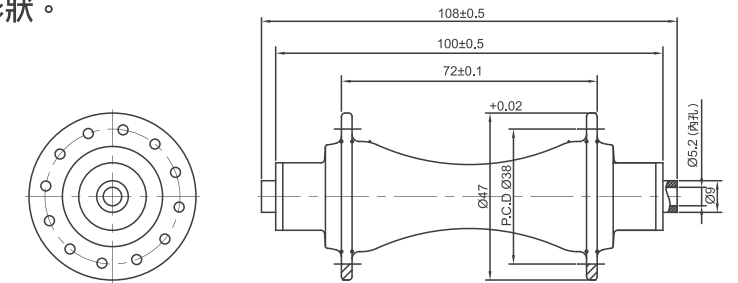
WP-CK2

Eliminates Cleat Wear Improves Walking Comfort Lightweight Durable And Flexible

COMPATIBILITY 相容	C01F,C03F
WEIGHT 重量	7g/pc

# HUBS

The OLD & PCD for the following hubs are exactly the same - the only difference is the hubs' outer shape.  
以下花鼓的叉寬 & 孔距尺寸都一樣，差別在外殼形狀。



## RA01FDQ2

HUB SHELL	外殼材質	Alloy 鋁
AXLE MATERIAL	軸心材質	Alloy 鋁 STD length 軸心長:108mm
SEALED BEARING Q'TY	培林數	2
OLD	叉寬	100mm
PCD	孔距	38mm
SPOKE HOLES	孔數	14Gx16H/20H/24H/28H/32H/36H
WEIGHT	重量	139g
REMARKS	備註	Available hole style: Key shape hole or oval shape hole; hole to hole or hole against hole. 可選鑰匙孔或圓孔，錯孔或對孔



## RA02FDQ2

HUB SHELL	外殼材質	Alloy 鋁
AXLE MATERIAL	軸心材質	Alloy 鋁 STD length 軸心長:108mm
SEALED BEARING Q'TY	培林數	2
OLD	叉寬	100mm
PCD	孔距	38mm
SPOKE HOLES	孔數	14Gx16H/20H/24H/28H/32H/36H
WEIGHT	重量	137.8g
REMARKS	備註	Available hole style: Key shape hole or oval shape hole; hole to hole or hole against hole. 可選鑰匙孔或圓孔，錯孔或對孔



## RA03FDQ2

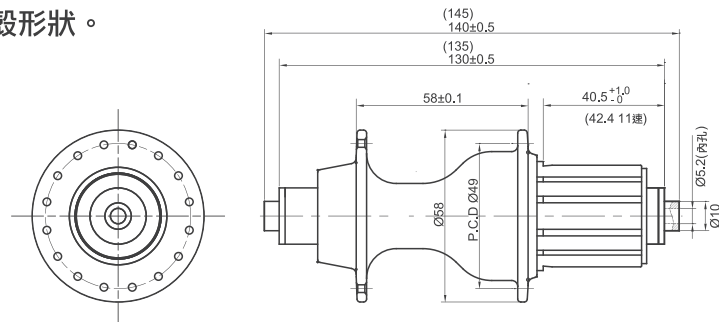
HUB SHELL	外殼材質	Alloy 鋁
AXLE MATERIAL	軸心材質	Alloy 鋁 STD length 軸心長:108mm
SEALED BEARING Q'TY	培林數	2
OLD	叉寬	100mm
PCD	孔距	38mm
SPOKE HOLES	孔數	14Gx16H/20H/24H/28H/32H/36H
WEIGHT	重量	139.9g
REMARKS	備註	Available hole style: Key shape hole or oval shape hole; hole to hole or hole against hole. 可選鑰匙孔或圓孔，錯孔或對孔





The OLD & PCD for the following hubs are exactly the same - the only difference is the hubs' outer shape.

以下花鼓的叉寬 & 孔距尺寸都一樣，差別在外殼形狀。



### RA01RDQ4

HUB SHELL	外殼材質	Alloy 鋁
AXLE MATERIAL	軸心材質	Alloy 鋁 STD length 軸心長:145mm
SEALED BEARING Q'TY	培林數	4
OLD	叉寬	130mm
PCD	孔距	53mm
SPOKE HOLES	孔數	14Gx16H/20H/24H/28H/32H/36H
WEIGHT	重量	320.2g
REMARKS	備註	Available speed: 7/8/9-speed,10-speed will include washer (1.85mm thick),11 speed will include longer cassette (1.85mm) 適用7/8/9速, 10速多華司,11速用長棘輪

### RA02RDQ4

HUB SHELL	外殼材質	Alloy 鋁
AXLE MATERIAL	軸心材質	Alloy 鋁 STD length 軸心長:145mm
SEALED BEARING Q'TY	培林數	4
OLD	叉寬	130mm
PCD	孔距	53mm
SPOKE HOLES	孔數	14Gx16H/20H/24H/28H/32H/36H
WEIGHT	重量	317.8g
REMARKS	備註	Available speed: 7/8/9-speed,10-speed will include washer (1.85mm thick),11 speed will include longer cassette (1.85mm) 適用7/8/9速, 10速多華司,11速用長棘輪

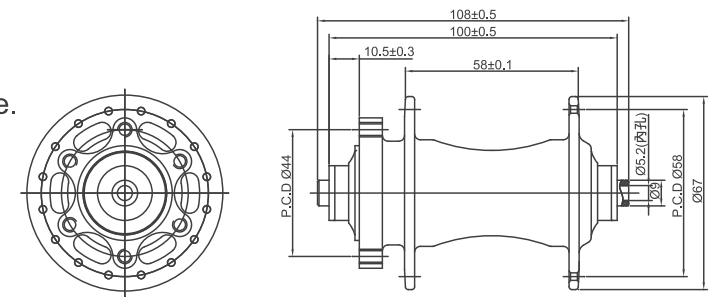
### RA03RDQ4

HUB SHELL	外殼材質	Alloy 鋁
AXLE MATERIAL	軸心材質	Alloy 鋁 STD length 軸心長:145mm
SEALED BEARING Q'TY	培林數	4
OLD	叉寬	130mm
PCD	孔距	53mm
SPOKE HOLES	孔數	14Gx16H/20H/24H/28H/32H/36H
WEIGHT	重量	327.4g
REMARKS	備註	Available speed: 7/8/9-speed,10-speed will include washer (1.85mm thick),11 speed will include longer cassette (1.85mm) 適用7/8/9速, 10速多華司,11速用長棘輪



The OLD & PCD for the following hubs are exactly the same - the only difference is the hubs' outer shape.

以下花鼓的叉寬 & 孔距尺寸都一樣，差別在外殼形狀。



### MS03FDQ2

HUB SHELL	外殼材質	Alloy 鋁
AXLE MATERIAL	軸心材質	CR-MO 鉻鉬鋼
SEALED BEARING Q'TY	培林數	2
OLD	叉寬	100mm
PCD	孔距	58mm
SPOKE HOLES	孔數	14Gx20H/24H/28H/32H/36H
UPGRADE	可選配項目	MA03FDQ2:W/Alloy Axle & Cover 鋁軸心&側蓋
WEIGHT	重量	274g
FINISH	表面處理	Silver & Black,銀&黑



### MS07FDQ2

HUB SHELL	外殼材質	Alloy 鋁
AXLE MATERIAL	軸心材質	CR-MO 鉻鉬鋼
SEALED BEARING Q'TY	培林數	2
OLD	叉寬	100mm
PCD	孔距	58mm
SPOKE HOLES	孔數	14Gx20H/24H/28H/32H/36H
UPGRADE	可選配項目	MA07FDQ2:W/Alloy Axle & Cover 鋁軸心&側蓋
WEIGHT	重量	263g
FINISH	表面處理	Silver & Black,銀&黑



### MS08FDQ2

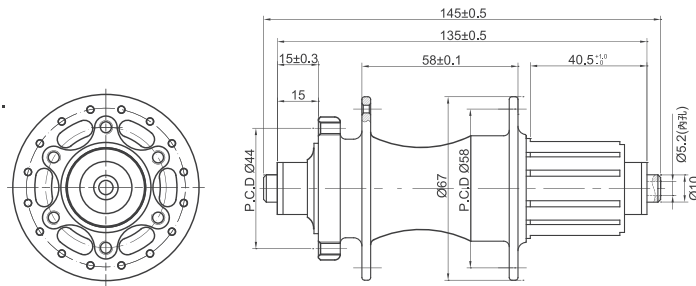
HUB SHELL	外殼材質	Alloy 鋁
AXLE MATERIAL	軸心材質	CR-MO 鉻鉬鋼
SEALED BEARING Q'TY	培林數	2
OLD	叉寬	100mm
PCD	孔距	58mm
SPOKE HOLES	孔數	14Gx20H/24H/28H/32H/36H
UPGRADE	可選配項目	MA08FDQ2:W/Alloy Axle & Cover 鋁軸心&側蓋
WEIGHT	重量	210g
FINISH	表面處理	Silver & Black,銀&黑



### MS09FDQ2

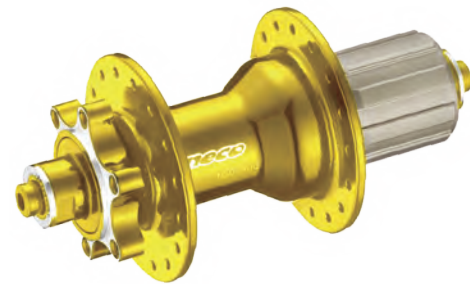
HUB SHELL	外殼材質	Alloy 鋁
AXLE MATERIAL	軸心材質	CR-MO 鉻鉬鋼
SEALED BEARING Q'TY	培林數	2
OLD	叉寬	100mm
PCD	孔距	58mm
SPOKE HOLES	孔數	14Gx20H/24H/28H/32H/36H
UPGRADE	可選配項目	MA09FDQ2:W/Alloy Axle & Cover 鋁軸心&側蓋
WEIGHT	重量	197g
FINISH	表面處理	Silver & Black,銀&黑

The OLD & PCD for the following hubs are exactly the same - the only difference is the hubs' outer shape.  
以下花鼓的叉寬&孔距尺寸都一樣，差別在外殼形狀。



**MS03RDQ4**

HUB SHELL	外殼材質	Alloy 鋁
AXLE MATERIAL	軸心材質	CR-MO 鍍鉻鋼
SEALED BEARING Q'TY	培林數	4
OLD	叉寬	135mm
PCD	孔距	58mm
SPOKE HOLES	孔數	14Gx20H/24H/28H/32H/36H
MA03RDQ2:		
UPGRADE	可選配項目	W/Alloy Axle & Cover 鋁軸心&側蓋
WEIGHT	重量	353g
FINISH	表面處理	Silver & Black, 銀&黑



**MS08RDQ4**

HUB SHELL	外殼材質	Alloy 鋁
AXLE MATERIAL	軸心材質	CR-MO 鍍鉻鋼
SEALED BEARING Q'TY	培林數	4
OLD	叉寬	135mm
PCD	孔距	58mm
SPOKE HOLES	孔數	14Gx20H/24H/28H/32H/36H
MA08RDQ2:W/Alloy Axle & Cover		
UPGRADE	可選配項目	鋁軸心&側蓋
WEIGHT	重量	341g
FINISH	表面處理	Silver & Black, 銀&黑



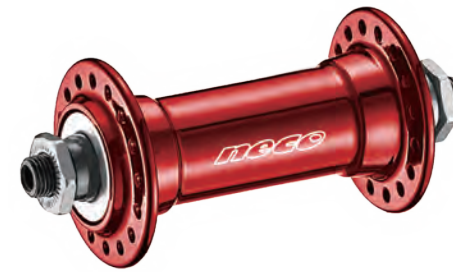
**MS07RDQ4**

HUB SHELL	外殼材質	Alloy 鋁
AXLE MATERIAL	軸心材質	CR-MO 鍍鉻鋼
SEALED BEARING Q'TY	培林數	4
OLD	叉寬	135mm
PCD	孔距	58mm
SPOKE HOLES	孔數	14Gx20H/24H/28H/32H/36H
MA07RDQ2:W/Alloy Axle & Cover		
UPGRADE	可選配項目	鋁軸心&側蓋
WEIGHT	重量	340g
FINISH	表面處理	Silver & Black, 銀&黑



**MS09RDQ4**

HUB SHELL	外殼材質	Alloy 鋁
AXLE MATERIAL	軸心材質	CR-MO 鍍鉻鋼
SEALED BEARING Q'TY	培林數	4
OLD	叉寬	135mm
PCD	孔距	58mm
SPOKE HOLES	孔數	14Gx20H/24H/28H/32H/36H
MA09RDQ2:		
UPGRADE	可選配項目	W/Alloy Axle & Cover 鋁軸心&側蓋
WEIGHT	重量	418g
FINISH	表面處理	Silver & Black, 銀&黑



**MS641F**

HUB SHELL	外殼材質	Alloy 鋁
AXLE MATERIAL	軸心材質	CO-MO 鍍鉻鋼
OLD	叉寬	100mm
PCD	孔距	38mm
ROLLING SYSTEM	轉動機構	Loose Ball 散珠
SPOKE HOLES	孔數	14Gx20H/24H/28H/32H
WEIGHT	重量	155g
REMARKS	備註	black/sliver/blue/golden 黑/銀/藍/金



**MS3951F**

HUB SHELL	外殼材質	Alloy 鋁
AXLE MATERIAL	軸心材質	CO-MO 鍍鉻鋼
OLD	叉寬	100mm
PCD	孔距	58mm
ROLLING SYSTEM	轉動機構	Loose Ball 散珠螺紋式
SPOKE HOLES	孔數	14Gx20H/24H/28H/32H
WEIGHT	重量	270g
REMARKS	備註	black/sliver/blue/golden 黑/銀/藍/金



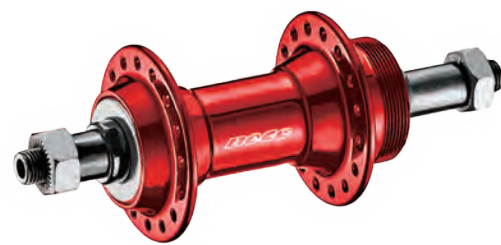
**MS37F**

HUB SHELL	外殼材質	Alloy 鋁
AXLE MATERIAL	軸心材質	CO-MO 鍍鉻鋼
OLD	叉寬	100mm
PCD	孔距	58mm
ROLLING SYSTEM	轉動機構	Loose Ball 散珠
SPOKE HOLES	孔數	14Gx20H/24H/28H/32H
WEIGHT	重量	276g
REMARKS	備註	black/sliver/blue/golden 黑/銀/藍/金



**MS38F**

HUB SHELL	外殼材質	Alloy 鋁
AXLE MATERIAL	軸心材質	CO-MO 鍍鉻鋼
OLD	叉寬	100mm
PCD	孔距	58mm
ROLLING SYSTEM	轉動機構	Loose Ball 散珠
SPOKE HOLES	孔數	14Gx20H/24H/28H/32H
WEIGHT	重量	287g
REMARKS	備註	black/sliver/blue/golden 黑/銀/藍/金



**MS641R**

HUB SHELL	外殼材質	Alloy 鋁
AXLE MATERIAL	軸心材質	CO-MO 鉻鉬鋼
OLD	叉寬	135mm
PCD	孔距	45mm
ROLLING SYSTEM	轉動機構	Loose Ball 散珠
SPOKE HOLES	孔數	14G×24H/28H/32H
WEIGHT	重量	245g
REMARKS	備註	black/silver/blue/golden 黑/銀/藍/金



**MS3951R**

HUB SHELL	外殼材質	Alloy 鋁
AXLE MATERIAL	軸心材質	CO-MO 鉻鉬鋼
OLD	叉寬	135mm
PCD	孔距	58mm
ROLLING SYSTEM	轉動機構	Loose Ball 散珠螺紋式
SPOKE HOLES	孔數	14G×28H/32H/36H
WEIGHT	重量	475g
REMARKS	備註	black/silver/blue/golden 黑/銀/藍/金



**MS37R**

HUB SHELL	外殼材質	Alloy 鋁
AXLE MATERIAL	軸心材質	CO-MO 鉻鉬鋼
OLD	叉寬	135mm
PCD	孔距	58mm
ROLLING SYSTEM	轉動機構	Loose Ball 散珠
SPOKE HOLES	孔數	14G×24H/28H/32H
WEIGHT	重量	332g
REMARKS	備註	black/silver/blue/golden 黑/銀/藍/金



**MS38R**

HUB SHELL	外殼材質	Alloy 鋁
AXLE MATERIAL	軸心材質	CO-MO 鉻鉬鋼
OLD	叉寬	135mm
PCD	孔距	58mm
ROLLING SYSTEM	轉動機構	Loose Ball 散珠
SPOKE HOLES	孔數	14G×24H/28H/32H
WEIGHT	重量	465g
REMARKS	備註	black/silver/blue/golden 黑/銀/藍/金



**Q01**

MATERIAL	材質	Alloy 鋁
AXLE	軸心	Steel 鐵
WEIGHT	重量	FRONT 前: 51.5g REAR 後: 57.5g



**Q07**

MATERIAL	材質	Alloy 鋁
AXLE	軸心	Steel 鐵
WEIGHT	重量	FRONT 前: 56g REAR 後: 62g



**Q17**

MATERIAL	材質	Alloy 鋁
AXLE	軸心	Steel 鐵
WEIGHT	重量	FRONT 前: 50.5g REAR 後: 56.5g



**Q27**

MATERIAL	材質	Alloy 鋁
AXLE	軸心	Steel 鐵
WEIGHT	重量	FRONT 前: 56.4g REAR 後: 61.8g

HEADSET PACKING



MFH - 21 ( 1" )



MFH-2 (1-1/8")



MFH-11(1-1/8")



MFH-12 (1-1/2")



MFH-1 (1" & 1-1/8")



MFH-3

BOTTOM BRACKET PACKING



MFB-5



MFB-6



MFB-3



MFB-21



MFB-2



MFB-1



MFH-4



MFC-1



MFC-2



HUBS PACKAGING



PEDAL PACKAGING



PEDAL PACKAGING