

AZURTEK



Brakes collection **2022**



AZURTEK Technology, Located in Zhejiang Province ,prides itself on being one of the leading manufacturer in bike industry. We are specializing in cutting -edge Hydraulic disc brake,Disc brake ,V-brake ,Brake lever,brake system .With more than 20 years experience, AZURTEK Technology is one of the leader to present the lever brake system in bike industry. Today, with our superior quality and competitive price, our brand " AZURTEK" has been served worldwide. AZURTEK insists on tradition of superior in quality and advanced technology. Aiming in providing the customers with the best product and service, we AZURTEK have our own R&D team, and we warmly welcome OEM or ODM order. Our vision is to build an excellent quality-product provider and make our customers an enjoyable biking experience around the world.

宁波欧卓车业有限公司地址位于中国浙江省慈溪市，工厂主要经营自行车刹车配件，相关产品品种齐全、价格合理，以自有品牌“AZURTEK”行销全球。公司拥有专业研发及技术人员，研发生产刹车系统已有二十多年经验，工厂始终奉行“品质保证、降低成本、诚信经营、致力服务”的企业宗旨，全力配合客户需求，不断进行产品创新和改进。竭诚欢迎国内外客户莅临洽谈指导。

**DX-C200**

Flat mount mechanical disc brake

Road lever ratio

Aluminum alloy

Pads adjustment

Auto-parallel mechanism

N.W.:145g/wheel

(Excludes rotor,adapter & mounting bolts)

NEW

**BA-R700**

On road brake

Lightweight design

Dual pivot caliper brake

Aluminum alloy arms

Quick release mechanism

Adjustable angle cartridge pads

Dimension:47-59mm

N.W.:175g/wheel

NEW

**DX-155****Mechanical disc brake**

Aluminum alloy
 W/Return spring
 W/Metallic compound pads
 Simple pad changing without disassembling the caliper
 IMD International mounting dimension
 PMC Post mount compatible
 Front adapter-free for post mount
 160mm disc
 N.W.: 163g/Wheel

**DX-170****Mechanical disc brake**

Aluminum alloy
 Auto-parallel mechanism
 Tool-free pad adjuster
 W/Return spring
 W/Metallic compound pads
 Simple pad changing without disassembling the caliper
 IMD International mounting dimension
 PMC Post mount compatible
 Front adapter-free for post mount
 160mm disc
 N.W.: 188g/Wheel

**DX-M220****Hydraulic disc brake**

Cast aluminum alloy lever & bracket
 2-Finger blade
 Reach adjuster
 Cast aluminum alloy caliper body
 Dual piston
 W/Metallic compound pads
 PMC Post mount compatible
 Front adapter-free for post mount
 160mm disc
 Fluid: Non-Corrosive mineral oil
 N.W.: 360g/Wheel

**DX-150****Mechanical disc brake**

Road lever ratio
 Aluminum alloy
 W/Return spring
 W/Metallic compound pads
 Simple pad changing without disassembling the caliper
 IMD International mounting dimension
 PMC Post mount compatible
 Front adapter-free for post mount
 160mm disc
 N.W.: 162g/Wheel

**RT-140-01**

Rotor:
Stainless steel for durability
Quick heat dispersion
Dia.: 140MM
N.W.: 100g/PC

**RT-160-01**

Rotor:
Stainless steel for durability
Quick heat dispersion
Dia.: 160MM
N.W.: 110g/PC

**RT-160-02**

Rotor:
Stainless steel for durability
Quick heat dispersion
Dia.: 160MM
N.W.: 120g/PC

**RT-160-03**

Rotor:
Stainless steel for durability
Quick heat dispersion
Dia.: 160MM
N.W.: 115g/PC

**RT-160-04**

Rotor:
Stainless steel for durability
Quick heat dispersion
Dia.: 160MM
N.W.: 110g/PC

**RT-160-05**

Rotor:
Center lock
Stainless steel for durability
Quick heat dispersion
Dia.: 160MM
N.W.: 120g/PC

**RT-160-06**

Rotor:
Stainless steel for durability
Quick heat dispersion
Dia.: 160MM
N.W.: 120g/PC

**RT-180-06**

Rotor:
Stainless steel for durability
Quick heat dispersion
Dia.: 180MM
N.W.: 158g/PC

**BA-801**

Aluminum alloy
 Arm length: 110mm
 Dual coil spring
 Spring tension adjuster
 Dimension: 21.5-36.5mm
 N.W.: 178g/Wheel

**BA-802**

Aluminum alloy
 Arm length: 110mm
 Dual linear spring
 Spring tension adjuster
 Dimension: 21.5-36.5mm
 N.W.: 194g/Wheel

**BA-803**

Aluminum alloy
 Arm length: 95mm
 Dual linear spring
 Spring tension adjuster
 Dimension: 21.5-36.5mm
 N.W.: 188g/Wheel

**BS-830**

Reinforced steel
 Arm length: 98mm
 Dual linear spring
 Spring tension adjuster
 Dimension: 21.5-36.5mm
 N.W.: 215g/Wheel

**BS-840**

Reinforced steel
 Arm length: 90mm
 Dual linear spring
 Spring tension adjuster
 Dimension: 21.5-33mm
 Suitable wheel width 32mm
 N.W.: 210g/Wheel

**BS-841**

Reinforced steel
 Arm length: 110mm
 Dual linear spring
 Spring tension adjuster
 Dimension: 21.5-36.5mm
 N.W.: 230g/Wheel

**EL-501L**

E-Bike brake lever
 Integrated bell
 Adjustable sensor control designed
 Aluminum alloy lever & Bracket
 4 finger lever blade
 For use with linear pull brakes & Rapidfire® shifters
 For left hand side only
 Weight: 145 grams / piece
 Also available:
 LA-501L -For use with roller / canti-brakes

NEW

**EL-501R**

E-Bike brake lever
 Adjustable sensor control designed
 Aluminum alloy lever & Bracket
 4 finger lever blade
 For use with linear pull brakes & Rapidfire® shifters
 Weight: 125 grams / piece
 Also available:
 LA-501R -For use with roller / canti-brakes

NEW

**LA-310G2**

Aluminum alloy
 For V-canti brake & mechanical disc brake
 2-Finger blade
 Twist shifter compatible
 Reach adjuster & return spring
 N.W.: 175g/PR

**LA-310G3**

Aluminum alloy
 For V-canti brake & mechanical disc brake
 3-Finger blade
 Twist shifter compatible
 Reach adjuster & return spring
 N.W.: 177g/PR

**LA-310T2**

Aluminum alloy
 For V-canti brake & mechanical disc brake
 2-Finger blade
 Thumb shifter compatible
 Reach adjuster & return spring
 N.W.: 170g/PR

**LA-310T3**

Aluminum alloy
For V-canti brake & mechanical disc brake
3-Finger blade
Thumb shifter compatible
Reach adjuster & return spring
N.W.: 173g/PR

**LA-320G2**

Aluminum alloy
For V-canti brake & mechanical disc brake
2-Finger blade
Twist shifter compatible
Reach adjuster & return spring
N.W.: 175g/PR

**LA-320G3**

Aluminum alloy
For V-canti brake & mechanical disc brake
3-Finger blade
Twist shifter compatible
Reach adjuster & return spring
N.W.: 177g/PR

**LE-308G2**

Resin & aluminum alloy
For V-canti brake
2-Finger blade
Designed for junior
Reach adjuster & return spring
N.W.: 170g/PR

**LE-311G3**

Resin & aluminum alloy
For V-canti brake & mechanical disc brake
3-Finger blade
Twist shifter compatible
Reach adjuster & return spring
N.W.: 177g/PR

**LE-311G2**

Resin & aluminum alloy
For V-canti brake & mechanical disc brake
2-Finger blade
Twist shifter compatible
Reach adjuster & return spring
N.W.: 175g/PR

**LE-311T3**

Resin & aluminum alloy
 For V-canti brake & mechanical disc brake
 3-Finger blade
 Thumb shifter compatible
 Reach adjuster & return spring
 N.W.: 173g/PR

**LE-311T2**

Resin & aluminum alloy
 For V-canti brake & mechanical disc brake
 2-Finger blade
 Thumb shifter compatible
 Reach adjuster & return spring
 N.W.: 170g/PR

**LE-321G2**

Resin & aluminum alloy
 For V-canti brake & mechanical disc brake
 2-Finger blade
 Twist shifter compatible
 Reach adjuster & return spring
 N.W.: 175g/PR

**LE-321G3**

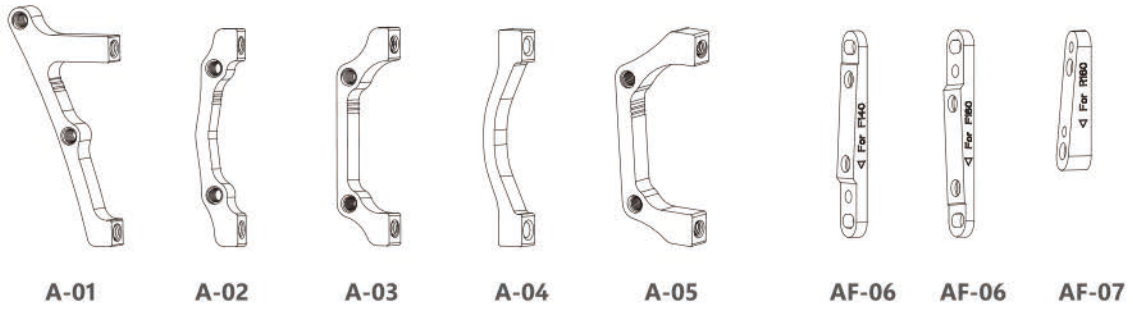
Resin & aluminum alloy
 For V-canti brake & mechanical disc brake
 3-Finger blade
 Twist shifter compatible
 Reach adjuster & return spring
 N.W.: 177g/PR

**LP-312G3**

Resin & steel
 For V-canti brake & mechanical disc brake
 3-Finger blade
 Twist shifter compatible
 Reach adjuster & return spring
 N.W.: 180g/PR

**LP-312T3**

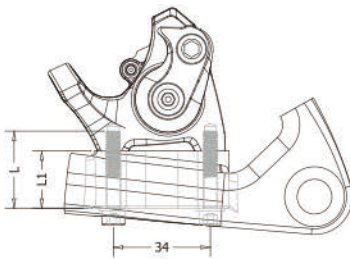
Resin & steel
 For V-canti brake & mechanical disc brake
 3-Finger blade
 Thumb shifter compatible
 Reach adjuster & return spring
 N.W.: 180g/PR



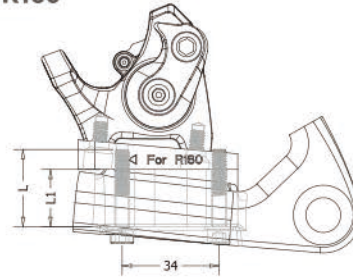
Rotor size	IMD_F	IMD_R	PMC_F	PMC_R	FM_F70	FM_R34
ø140	A-01	A-02	None	None	AF-06	-
ø160	A-02	A-03	-	-	AF-06	AF-07
ø180	A-03	A-05	A-04	None	None	None

NOTE:
 IMD:International mounting dimension
 PMC:Post mount compatible
 FM:Flat mount
 Noen:Not available currently
 *-:Adapter-free

R140



R160



M5 BOLT FOR REAR: L=L1+8mm



AP-BP037



AP-BP045



AP-BT135



AP-BT090



AP-BT090S



AP-DS10



AP-DS20



AP-DS30



AP-P906



AP-P908



AP-P908C



宁波欧卓车业有限公司
Azurtek Technology(Ning Bo),.Ltd

浙江省慈溪市长河镇长丰村工业园区一横路
TEL.:0574-63412095 FAX.:0574-63412095
E-mail:james@azurtek-a.com sum@azurtek-a.com
Http:www.azurtek-a.com

Yiheng Rd.,Changfeng Industrial Zone,Changhe
Town,Cixi,Zhejiang,China.
TEL.:86 574 63412095 FAX.:86 574-63412095
E-mail:james@azurtek-a.com sum@azurtek-a.com
Http:www.azurtek-a.com